

ISO/TC 35/SC 9

Secretariat: BSI

Voting begins on:
2010-06-24

Voting terminates on:
2010-08-24

Paints and varnishes — Determination of scratch resistance —

Part 1: Method using a curved stylus

Peintures et vernis — Détermination de la résistance à la rayure —

Partie 1: Méthode utilisant un stylet arrondi

iTeh STANDARD PREVIEW
(standards.iteh.ai)

ISO/FDIS 12137-1

<https://standards.iteh.ai/catalog/standards/sist/6a28f431-7e35-4d8d-a367-bd8c6f0b3e06/iso-fdis-12137-1>

Please see the administrative notes on page iii

RECIPIENTS OF THIS DRAFT ARE INVITED TO SUBMIT, WITH THEIR COMMENTS, NOTIFICATION OF ANY RELEVANT PATENT RIGHTS OF WHICH THEY ARE AWARE AND TO PROVIDE SUPPORTING DOCUMENTATION.

IN ADDITION TO THEIR EVALUATION AS BEING ACCEPTABLE FOR INDUSTRIAL, TECHNOLOGICAL, COMMERCIAL AND USER PURPOSES, DRAFT INTERNATIONAL STANDARDS MAY ON OCCASION HAVE TO BE CONSIDERED IN THE LIGHT OF THEIR POTENTIAL TO BECOME STANDARDS TO WHICH REFERENCE MAY BE MADE IN NATIONAL REGULATIONS.



Reference number
ISO/FDIS 12137-1:2010(E)

PDF disclaimer

This PDF file may contain embedded typefaces. In accordance with Adobe's licensing policy, this file may be printed or viewed but shall not be edited unless the typefaces which are embedded are licensed to and installed on the computer performing the editing. In downloading this file, parties accept therein the responsibility of not infringing Adobe's licensing policy. The ISO Central Secretariat accepts no liability in this area.

Adobe is a trademark of Adobe Systems Incorporated.

Details of the software products used to create this PDF file can be found in the General Info relative to the file; the PDF-creation parameters were optimized for printing. Every care has been taken to ensure that the file is suitable for use by ISO member bodies. In the unlikely event that a problem relating to it is found, please inform the Central Secretariat at the address given below.

**iTeh STANDARD PREVIEW
(standards.iteh.ai)**

[ISO/FDIS 12137-1](https://standards.iteh.ai/catalog/standards/sist/6a28f431-7e35-4d8d-a367-bd8c6f0b3e06/iso-fdis-12137-1)

<https://standards.iteh.ai/catalog/standards/sist/6a28f431-7e35-4d8d-a367-bd8c6f0b3e06/iso-fdis-12137-1>

Copyright notice

This ISO document is a Draft International Standard and is copyright-protected by ISO. Except as permitted under the applicable laws of the user's country, neither this ISO draft nor any extract from it may be reproduced, stored in a retrieval system or transmitted in any form or by any means, electronic, photocopying, recording or otherwise, without prior written permission being secured.

Requests for permission to reproduce should be addressed to either ISO at the address below or ISO's member body in the country of the requester.

ISO copyright office
Case postale 56 • CH-1211 Geneva 20
Tel. + 41 22 749 01 11
Fax + 41 22 749 09 47
E-mail copyright@iso.org
Web www.iso.org

Reproduction may be subject to royalty payments or a licensing agreement.

Violators may be prosecuted.

ISO/CEN PARALLEL PROCESSING

This final draft has been developed within the International Organization for Standardization (ISO), and processed under the **ISO-lead** mode of collaboration as defined in the Vienna Agreement. The final draft was established on the basis of comments received during a parallel enquiry on the draft.

This final draft is hereby submitted to the ISO member bodies and to the CEN member bodies for a parallel two-month approval vote in ISO and formal vote in CEN.

Positive votes shall not be accompanied by comments.

Negative votes shall be accompanied by the relevant technical reasons.

iTeh STANDARD PREVIEW (standards.iteh.ai)

[ISO/FDIS 12137-1](https://standards.iteh.ai/catalog/standards/sist/6a28f431-7e35-4d8d-a367-bd8c6f0b3e06/iso-fdis-12137-1)

<https://standards.iteh.ai/catalog/standards/sist/6a28f431-7e35-4d8d-a367-bd8c6f0b3e06/iso-fdis-12137-1>

Foreword

ISO (the International Organization for Standardization) is a worldwide federation of national standards bodies (ISO member bodies). The work of preparing International Standards is normally carried out through ISO technical committees. Each member body interested in a subject for which a technical committee has been established has the right to be represented on that committee. International organizations, governmental and non-governmental, in liaison with ISO, also take part in the work. ISO collaborates closely with the International Electrotechnical Commission (IEC) on all matters of electrotechnical standardization.

International Standards are drafted in accordance with the rules given in the ISO/IEC Directives, Part 2.

The main task of technical committees is to prepare International Standards. Draft International Standards adopted by the technical committees are circulated to the member bodies for voting. Publication as an International Standard requires approval by at least 75 % of the member bodies casting a vote.

Attention is drawn to the possibility that some of the elements of this document may be the subject of patent rights. ISO shall not be held responsible for identifying any or all such patent rights.

ISO 12137-1 was prepared by Technical Committee ISO/TC 35, *Paints and varnishes*, Subcommittee SC 9, *General test methods for paints and varnishes*.

This second edition cancels and replaces the first edition (ISO 12137-1:1997), which has been technically revised. It also incorporates the Technical Corrigendum ISO 12137-1:1997/Cor.1:1998.

The main changes are the following.

- a) The terminology concerning marring, scratching and scribing has been revised and a definition of scratch has been introduced.
- b) The supplementary test conditions (formerly Annex A) have been integrated in the test report.
- c) The text has been editorially revised and the normative references have been updated.

ISO 12137 consists of the following parts, under the general title *Paints and varnishes — Determination of scratch resistance*:

- *Part 1: Method using a curved stylus*
- *Part 2: Method using a pointed stylus*

Paints and varnishes — Determination of scratch resistance —

Part 1: Method using a curved stylus

1 Scope

This part of ISO 12137 specifies a method for determining, using a curved (loop-shaped or ring-shaped) stylus, the scratch resistance of a single coating of a paint, varnish or related product, or the upper layer of a multicoat system.

This test has been found to be useful in comparing the scratch resistance of different coatings. It is most useful in providing relative ratings for a series of coated panels exhibiting significant differences in scratch resistance.

This part of ISO 12137 does not specify a method using a pointed stylus, which is specified in ISO 12137-2. The choice between the two methods will depend on the particular practical problem.

2 Normative references

The following referenced documents are indispensable for the application of this document. For dated references, only the edition cited applies. For undated references, the latest edition of the referenced document (including any amendments) applies.

ISO 1513, *Paints and varnishes — Examination and preparation of test samples*

ISO 1514, *Paints and varnishes — Standard panels for testing*

ISO 2808, *Paints and varnishes — Determination of film thickness*

ISO 15528, *Paints, varnishes and raw materials for paints and varnishes — Sampling*

3 Terms and definitions

For the purposes of this document, the following terms and definitions apply.

3.1

scratch

damage of a surface by making contact with a sharp object

NOTE The result is usually an easily seen line in the surface that disturbs the uniformity of that surface.

4 Principle

The product or system under test is applied at uniform thickness to flat panels of uniform surface texture. After drying/curing, the scratch resistance is determined by pushing the panels beneath a curved (loop-shaped or ring-shaped) stylus which is mounted so that it presses down on the surface of the test panel at an angle of 45°. The load on the test panel is increased in steps until the coating is scratched.

5 Apparatus

5.1 Instrument for determining scratch resistance.

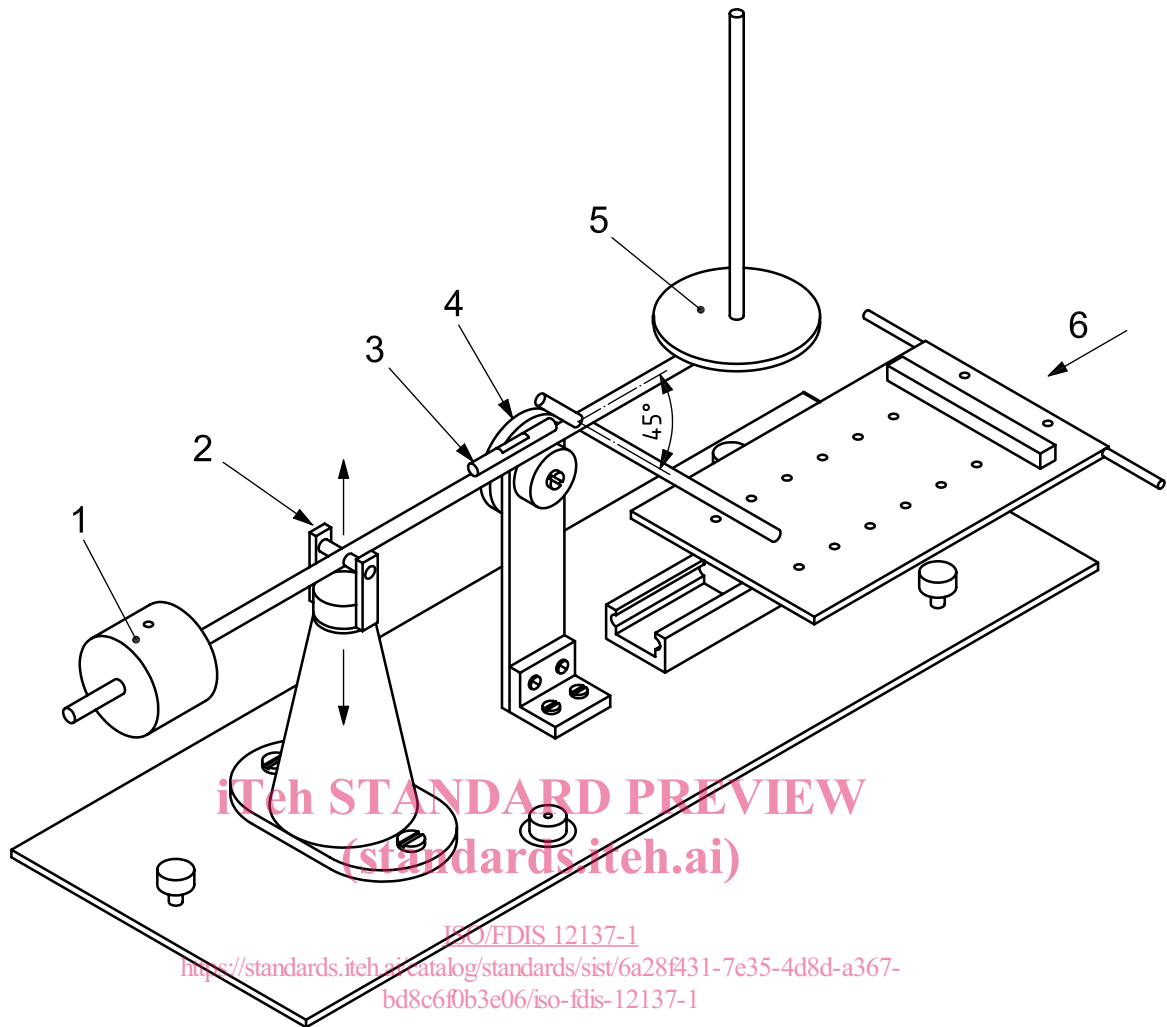
A suitable instrument is shown in Figure 1. It consists principally of a counterbalanced beam with a small scale pan on which weights can be placed to load the stylus. The stylus is mounted at the lower end of a rod which extends down from the beam at a fixed angle of 45°. The test panel is placed on a sliding table which can be pushed under the stylus, preferably by the use of mechanical equipment.

The instrument shall be designed so that tests can be performed with stylus loadings of up to 5 kg and so that the load can be increased or decreased in steps of 0,5 kg, or in steps of 0,25 kg or 0,1 kg when greater accuracy is required near the scratch point.

iTeh STANDARD PREVIEW (standards.iteh.ai)

[ISO/FDIS 12137-1](https://standards.iteh.ai/catalog/standards/sist/6a28f431-7e35-4d8d-a367-bd8c6f0b3e06/iso-fdis-12137-1)

<https://standards.iteh.ai/catalog/standards/sist/6a28f431-7e35-4d8d-a367-bd8c6f0b3e06/iso-fdis-12137-1>

**Key**

- 1 counterweight
- 2 main bearing support
- 3 level indicator
- 4 beam release
- 5 weight
- 6 direction of test

Other types of scratch instrument may be used if they give similar relative ratings. For instance, the scratch apparatus specified in ISO 1518 is suitable with some modifications.

Figure 1 — Balanced-beam scratch-resistance instrument

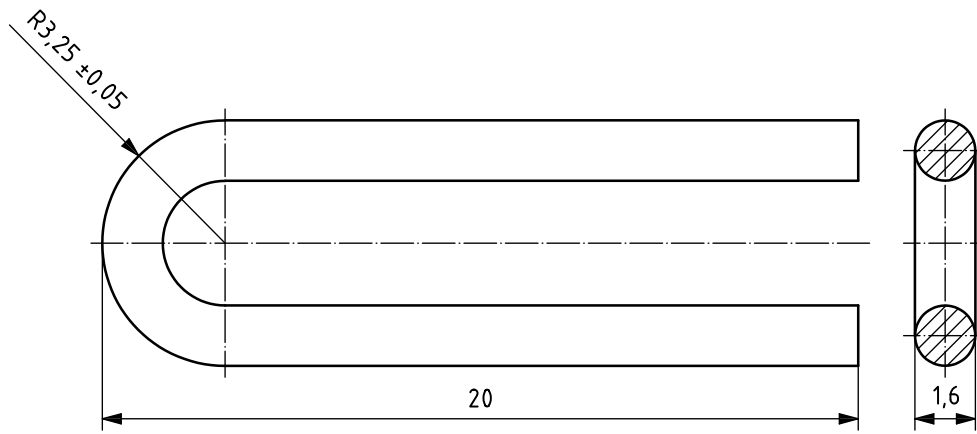
5.2 Loop-shaped or ring-shaped stylus.

The loop-shaped stylus shall be made of chromium-plated steel and shall be in the form of a rod of 1,6 mm diameter bent into a “U” shape with an outside radius of $(3,25 \pm 0,05)$ mm [see Figure 2 a)].

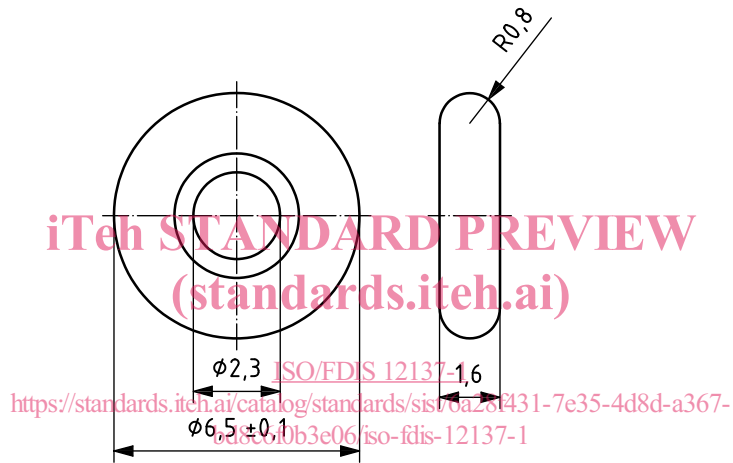
In each case, the stylus shall be hardened to Rockwell HRC56 to HRC58 and its surface shall be smooth (roughness $< 0,05 \mu\text{m}$).

5.3 Microscope, preferably with a magnification range extending up to $\times 50$.

Dimensions in millimetres



a) Loop-shaped stylus



b) Ring-shaped stylus

Figure 2 — Details of styluses

6 Sampling

Take a representative sample of the product to be tested (or of each product in the case of a multicoat system), as specified in ISO 15528.

Examine and prepare each sample for testing, as specified in ISO 1513.

7 Test panels

7.1 Substrate

Select the substrate from one of those specified in ISO 1514 and, where possible, in accordance with the desired practical application. The panels shall be plane and free from distortion, with a maximum thickness of about 12 mm, and 100 mm to 400 mm wide and long.

7.2 Preparation and coating

Prepare each test panel in accordance with ISO 1514 and then coat it by the specified method with the product or system under test.

7.3 Drying and conditioning

Dry (or stove) and age, if applicable, each coated test panel according to the instructions given for the product or system under test. Before testing, condition the coated panels at (23 ± 2) °C and a relative humidity of (50 ± 5) % for a minimum period of 16 h.

The coated panels shall be stored and handled so as to avoid contamination by fingerprints and dust.

NOTE Fingerprints, dust or other contamination on the surface will result in a lower accuracy.

7.4 Thickness of coating

Determine the thickness, in micrometers, of the dried coating by one of the procedures specified in ISO 2808.

8 Procedure

8.1 Test conditions

Carry out the test at (23 ± 2) °C and a relative humidity of (50 ± 5) %, unless otherwise agreed.

8.2 Preparation for the test

Ensure that the instrument is level, and place it so that the end with the weight pan is nearest the operator. In the case of the instrument shown in Figure 1 the beam release switch will now be on the operator's right.

Insert the stylus in the holder and tighten the clamping screw.

Both sides of the loop-shaped stylus can be used. Examine the stylus periodically to ensure that it has a smooth surface without any scratches. If the contacting surface is worn, turn the loop over. When both sides are worn, replace the loop by a new one. If the ring-shaped stylus is used, examine it periodically in the same way and, when the contact point is worn, rotate it so that an unworn area is in contact with the panel. When all the ring is worn, replace it by a new one.

Adjust the main bearing support so that the beam is balanced in the horizontal plane when the stylus is just touching the panel surface. The alignment of the beam shall be such that the middle of the stylus is over the centreline of the sliding table.

Raise the beam and lock it in the raised position. Clean the stylus, if necessary, with a clean cloth or lint-free paper.

8.3 Determination

Place a test panel up against the stop on the sliding table.

Place a weight on the scale pan, starting at a weight somewhat less than that expected to cause scratching of the paint surface.

Release the beam slowly and carefully (it is very important to carry out this operation with great care). Immediately after the stylus has come to rest on the coating, push the sliding table towards the far end of the instrument (i.e. away from the operator) at a rate of about 3 mm/s to 6 mm/s for a distance of 75 mm at least.