
Glass in building — Curved glass —

**Part 2:
Quality requirements**

Verre dans la construction — Verre bombé — Partie 2: Exigences de qualité

iTeh STANDARD PREVIEW
(standards.iteh.ai)

[ISO 11485-2:2011](https://standards.iteh.ai/catalog/standards/sist/ecf66cb8-83c3-4e7b-8df0-904533c81180/iso-11485-2-2011)

<https://standards.iteh.ai/catalog/standards/sist/ecf66cb8-83c3-4e7b-8df0-904533c81180/iso-11485-2-2011>



iTeh STANDARD PREVIEW (standards.iteh.ai)

ISO 11485-2:2011

<https://standards.iteh.ai/catalog/standards/sist/ecf66cb8-83c3-4e7b-8df0-904533c81180/iso-11485-2-2011>



COPYRIGHT PROTECTED DOCUMENT

© ISO 2011

All rights reserved. Unless otherwise specified, no part of this publication may be reproduced or utilized in any form or by any means, electronic or mechanical, including photocopying and microfilm, without permission in writing from either ISO at the address below or ISO's member body in the country of the requester.

ISO copyright office
Case postale 56 • CH-1211 Geneva 20
Tel. + 41 22 749 01 11
Fax + 41 22 749 09 47
E-mail copyright@iso.org
Web www.iso.org

Published in Switzerland

Contents

Page

Foreword	iv
1 Scope	1
2 Normative references	1
3 Terms and definitions	1
4 Quality requirements	1
4.1 General	1
4.2 Tolerances on the shape accuracy, girth and length	2
4.3 Edge straightness deviation (ΔR_B)	3
4.4 Maximum cross-curve deviation	3
4.5 Maximum twist deviation (V)	3
4.6 Appearance	4
4.7 Dimensional tolerances of curved laminated glass	5
4.8 Dimensional tolerances of curved insulating glass	6
5 Test methods	7
5.1 Measurement of shape accuracy, girth and length	7
5.2 Edge straightness deviation	7
5.3 Measurement of cross-curve deviation	8
5.4 Maximum twist deviation	9
5.5 Test method on appearance of curved glass	10
Bibliography	11

iTeh STANDARD PREVIEW

(standards.iteh.ai)

ISO 11485-2:2011

<https://standards.iteh.ai/catalog/standards/sist/ecf66cb8-83c3-4e7b-8df0-904533c81180/iso-11485-2-2011>

Foreword

ISO (the International Organization for Standardization) is a worldwide federation of national standards bodies (ISO member bodies). The work of preparing International Standards is normally carried out through ISO technical committees. Each member body interested in a subject for which a technical committee has been established has the right to be represented on that committee. International organizations, governmental and non-governmental, in liaison with ISO, also take part in the work. ISO collaborates closely with the International Electrotechnical Commission (IEC) on all matters of electrotechnical standardization.

International Standards are drafted in accordance with the rules given in the ISO/IEC Directives, Part 2.

The main task of technical committees is to prepare International Standards. Draft International Standards adopted by the technical committees are circulated to the member bodies for voting. Publication as an International Standard requires approval by at least 75 % of the member bodies casting a vote.

Attention is drawn to the possibility that some of the elements of this document may be the subject of patent rights. ISO shall not be held responsible for identifying any or all such patent rights.

ISO 11485-2 was prepared by Technical Committee ISO/TC 160, *Glass in building*, Subcommittee SC 1, *Product considerations*.

ISO 11485 consists of the following parts, under the general title *Glass in building — Curved glass*:

- Part 1: Terminology and definitions
- Part 2: Quality requirements
- Part 3: Requirements for tempered and laminated curved safety glass¹⁾

ITeh STANDARD PREVIEW
(standards.iteh.ai)
<https://standards.iteh.ai/catalog/standards/sist/ecf66cb8-83c3-4e7b-8df0-904533c81180/iso-11485-2-2011>

1) Under preparation.

Glass in building — Curved glass —

Part 2: Quality requirements

1 Scope

This part of ISO 11485 specifies the quality requirements for curved glass used in general building construction, furniture, display and various other non-automotive applications.

2 Normative references

The following referenced documents are indispensable for the application of this document. For dated references, only the edition cited applies. For undated references, the latest edition of the referenced document (including any amendments) applies.

ISO 11485-1, *Glass in building — Curved glass — Part 1: Terminology and definitions*

3 Terms and definitions

For the purposes of this document, the terms and definitions given in ISO 11485-1 apply.

4 Quality requirements

4.1 General

Curved glass can originate as annealed float glass, patterned glass or wired glass. Curved glass can be processed as tempered, laminated, heat strengthened, coated or frit enamelled. It can also be assembled into insulated glass units.

All of these various products shall conform to the corresponding ISO standard for flat products except for those unique characteristics covered by this part of ISO 11485 or when it can be demonstrated that a particular requirement of the corresponding standard cannot be applied to curved glass for any reason (i.e. testing flat samples vs. curved samples).

When there is no corresponding International Standard, any other national standard may be used instead.

When tested in accordance with Clause 5, the curved glass shall conform to the quality requirements given in Clause 4, summarized in Table 1.

The tolerance on thickness of curved glass panes shall conform to the tolerance on thickness stated in the corresponding basic product standard ISO 16293 (all parts), however minor changes to glass thickness may occur due to stretching during forming and/or shaping.

Table 1 — Quality requirements for curved glass

Quality requirement		Corresponding subclauses			
Classification	Sub-classification	Curved annealed glass, curved tempered glass, curved heat-soaked tempered glass	Curved laminated glass	Curved insulating glass	Test method
Shape and dimension	length tolerance	4.2	4.2	4.2	5.1
	girth tolerance	4.2	4.2	4.2	5.1
	shape accuracy tolerance	4.2	4.2	4.8	5.1
	thickness tolerance	—	4.7	4.8	—
	displacement	—	4.7	4.8	—
	edge straightness deviation	4.3	4.3	4.3	5.2
	maximum cross-curve deviation	4.4	4.4	4.4	5.3
	maximum twist deviation	4.5	4.5	4.5	5.4
Appearance	length and permissible number of appearance defects	4.6	4.6	4.6	5.5

4.2 Tolerances on the shape accuracy, girth and length

When measured in accordance with 5.1, the tolerances on shape accuracy, girth and length shall be as given in Table 2, illustrated in Figure 1.

Table 2 — Tolerances on the shape accuracy, girth and length

	Tolerance	
	Thickness < 10 mm	Thickness ≥ 10 mm
ΔP_C^a	$2/3 T$	$1/2 T$
ΔG	$\pm 2 \text{ mm/m}$	$\pm 3 \text{ mm/m}$
ΔL	$\pm 2 \text{ mm/m}$	$\pm 3 \text{ mm/m}$

^a Measured perpendicularly to the glass.

where

ΔP_C is the tolerance on the shape accuracy;

ΔG is the tolerance on the overall girth; and

ΔL is the tolerance on length.

T is the nominal thickness of the final product when the curved glass type is curved annealed glass, curved tempered glass, curved tempered heat-soaked glass or curved laminated glass, or the thickness of the glass components when assembled into a curved insulating glass.

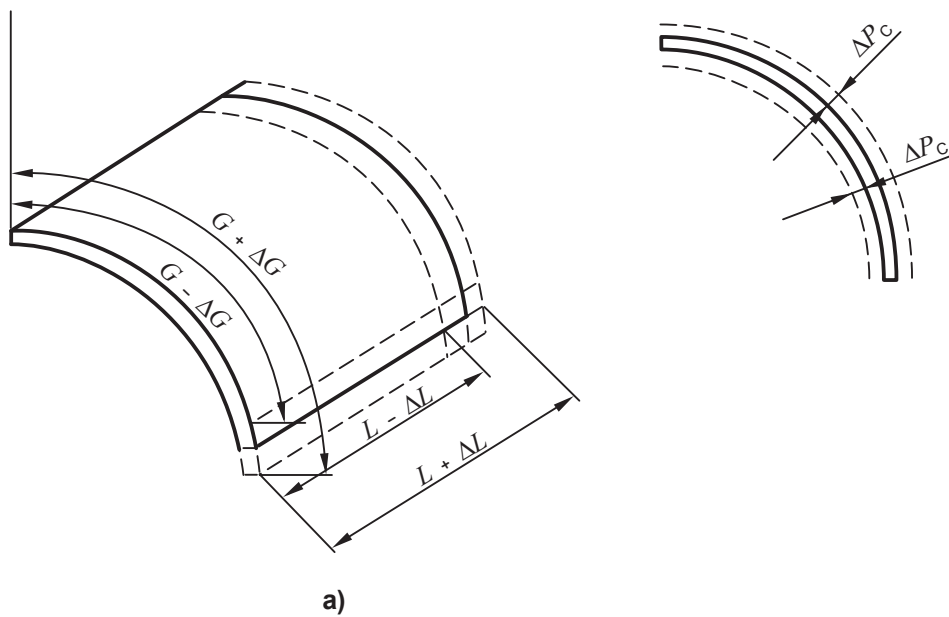


Figure 1 — Tolerances on shape accuracy, girth and length

4.3 Edge straightness deviation (ΔR_B)

When measured in accordance with 5.2, the acceptable limits for edge straightness deviation shall be:

$$\Delta R_B \leq 3 \text{ mm/m or } 2 \text{ mm, whichever is greater.}$$

NOTE An example of edge straightness deviation is shown in Figure 2.

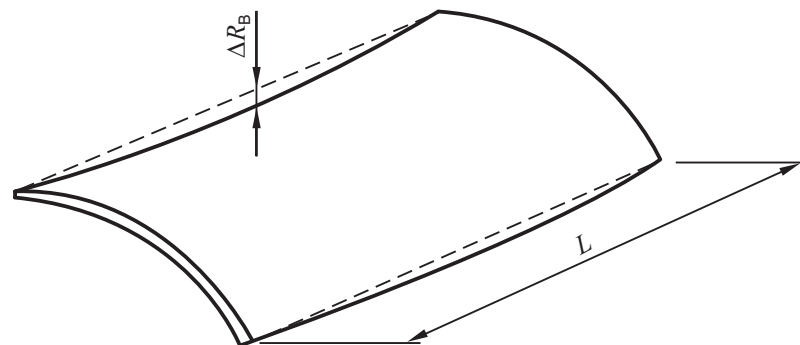


Figure 2 — Example of edge straightness deviation

4.4 Maximum cross-curve deviation

When measured in accordance with 5.3, the maximum cross-curve deviation shall not exceed 4 mm/m of the length (see Figure 9).

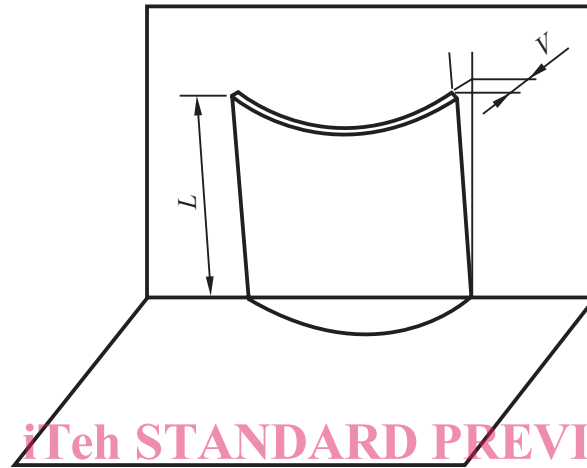
This maximum cross-curve deviation shall be distinguished from edge straightness deviation.

4.5 Maximum twist deviation (V)

When tested in accordance with 5.4, the twist deviation, as shown in Figure 3, shall not exceed the maximum tolerances for thicknesses of ≤ 12 mm. For other thicknesses, the manufacturer should be consulted.

Table 3 — Maximum tolerances for twist deviation

Length (mm)	Twist deviation (mm)
$L \leq 1\ 200$	$V < 4$
$1\ 200 < L \leq 1\ 500$	$V < 5$
$1\ 500 < L \leq 2\ 000$	$V < 6$
$2\ 000 < L \leq 2\ 400$	$V < 7$
$L > 2\ 400$	$V < 8$



iTeH STANDARD PREVIEW
(standards.iteh.ai)

Figure 3 — Twist deviation

[ISO 11485-2:2011](https://standards.iteh.ai/catalog/standards/sist/ecf66cb8-83c3-4e7b-8df0-904533c81180/iso-11485-2-2011)

<https://standards.iteh.ai/catalog/standards/sist/ecf66cb8-83c3-4e7b-8df0-904533c81180/iso-11485-2-2011>

4.6 Appearance

When tested in accordance with 5.5, the appearance of curved glass shall conform to the acceptability criteria given in Table 4.

Table 4 — Appearance acceptability

Type of defect	Acceptability
cracking (cold crack)	None
chipping	Covered edge: No chipping of a width or length more than the nominal thickness of the glass. Exposed edge: No chipping that hinders serviceability.
tong marks	In cases where the nominal thickness of glass is 6 mm or less, tong marks shall only be allowed within 8 mm of the glass edge, as shown in Figure 4. In cases where the nominal thickness is over 6 mm, tong marks shall be allowed within the thickness of the glass + 2,0 mm, as shown in Figure 4.

Table 4 (continued)

Type of defect	Acceptability
pock marks	Pock marks shall not exceed 2,0 mm in diameter.
ring marks	In cases where the finished glass will be installed into a frame that conceals the edge(s), ring marks can be present inboard of the edge(s). In cases where the glass edge(s) are exposed in their final installation, ring marks inboard of the glass edge(s) are acceptable to the extent of glass thickness + 2,0 mm from the edge, only at the discretion of the concerned parties.

**Key**

- 1 nominal thickness 6 mm or less
- 2 8 mm max.
- 3 tong marks

Key

- 1 nominal thickness over 6 mm
- 2 nominal thickness + 2 mm max.
- 3 tong marks

iTeh STANDARD PREVIEW
(standards.iteh.ai)
ISO 11485-2:2011
<https://standards.iteh.ai/catalog/standards/sist/ecf66cb8-83c3-4e7b-8df0-904533c81180/iso-11485-2-2011>

Figure 4 — Tong marks**4.7 Dimensional tolerances of curved laminated glass****4.7.1 Thickness**

The total thickness of the laminated glass shall equal the sum of the nominal thickness of the components.

The tolerance in the total thickness shall equal the sum of the tolerances on the components given in the relevant product standard.

Thicknesses and tolerances on the interlayer and films shall be negligible when compared to the shape tolerances of the individual glass panes.

The accepted thickness tolerance of the interlayer in cast-in-place resins shall be $\pm 0,2$ mm per mm thickness of the interlayer (not including the thickness tolerance of the individual panes).

4.7.2 Displacement

The maximum displacement in the sliding " d_1 " of one of the glass edges, as shown in Figure 5, during the manufacturing of the curved laminated glass, shall be as given in Table 5, where G is the girth of the curved insulating glass unit.