
**Rubber hoses and hose assemblies
for steam — Test methods**

Tuyaux et flexibles en caoutchouc pour la vapeur — Méthodes d'essai

iTeh STANDARD PREVIEW
(standards.iteh.ai)

[ISO 4023:2009](https://standards.iteh.ai/catalog/standards/sist/75a41c5c-b8f4-4c18-a124-2d9deb2f6ace/iso-4023-2009)

<https://standards.iteh.ai/catalog/standards/sist/75a41c5c-b8f4-4c18-a124-2d9deb2f6ace/iso-4023-2009>



PDF disclaimer

This PDF file may contain embedded typefaces. In accordance with Adobe's licensing policy, this file may be printed or viewed but shall not be edited unless the typefaces which are embedded are licensed to and installed on the computer performing the editing. In downloading this file, parties accept therein the responsibility of not infringing Adobe's licensing policy. The ISO Central Secretariat accepts no liability in this area.

Adobe is a trademark of Adobe Systems Incorporated.

Details of the software products used to create this PDF file can be found in the General Info relative to the file; the PDF-creation parameters were optimized for printing. Every care has been taken to ensure that the file is suitable for use by ISO member bodies. In the unlikely event that a problem relating to it is found, please inform the Central Secretariat at the address given below.

iTeh STANDARD PREVIEW
(standards.iteh.ai)

ISO 4023:2009

<https://standards.iteh.ai/catalog/standards/sist/75a41c5c-b8f4-4c18-a124-2d9deb2f6ace/iso-4023-2009>



COPYRIGHT PROTECTED DOCUMENT

© ISO 2009

All rights reserved. Unless otherwise specified, no part of this publication may be reproduced or utilized in any form or by any means, electronic or mechanical, including photocopying and microfilm, without permission in writing from either ISO at the address below or ISO's member body in the country of the requester.

ISO copyright office
Case postale 56 • CH-1211 Geneva 20
Tel. + 41 22 749 01 11
Fax + 41 22 749 09 47
E-mail copyright@iso.org
Web www.iso.org

Published in Switzerland

Contents

Page

Foreword	iv
1 Scope	1
2 Normative references	1
3 Method A: Vertical rack method	1
3.1 Principle.....	1
3.2 Apparatus	2
3.3 Test piece	2
3.4 Procedure	2
3.5 Test report.....	4
4 Method B: Horizontal rack method	4
4.1 Principle.....	4
4.2 Apparatus	4
4.3 Test piece	5
4.4 Procedure	5
4.5 Test report.....	6
5 Method C: Flexing test, vertical arrangement	6
5.1 Principle.....	6
5.2 Apparatus	6
5.3 Test piece	6
5.4 Procedure	7
5.5 Test report.....	8
6 Method D: Flexing test, horizontal arrangement	8
6.1 Principle.....	8
6.2 Apparatus	9
6.3 Test piece	9
6.4 Procedure	9
6.5 Test report.....	11

Foreword

ISO (the International Organization for Standardization) is a worldwide federation of national standards bodies (ISO member bodies). The work of preparing International Standards is normally carried out through ISO technical committees. Each member body interested in a subject for which a technical committee has been established has the right to be represented on that committee. International organizations, governmental and non-governmental, in liaison with ISO, also take part in the work. ISO collaborates closely with the International Electrotechnical Commission (IEC) on all matters of electrotechnical standardization.

International Standards are drafted in accordance with the rules given in the ISO/IEC Directives, Part 2.

The main task of technical committees is to prepare International Standards. Draft International Standards adopted by the technical committees are circulated to the member bodies for voting. Publication as an International Standard requires approval by at least 75 % of the member bodies casting a vote.

Attention is drawn to the possibility that some of the elements of this document may be the subject of patent rights. ISO shall not be held responsible for identifying any or all such patent rights.

ISO 4023 was prepared by Technical Committee ISO/TC 45, *Rubber and rubber products*, Subcommittee SC 1, *Hoses (rubber and plastics)*.

This fourth edition cancels and replaces the third edition (ISO 4023:1991), which has been technically revised.

The major technical change is the broadening of the scope to include hose assemblies. These have to be fitted with suitable end connections and couplings as, for a particular hose design, the type of end connection used can have a significant influence on the test results.

A procedure for dealing with any initial leakage between hose body and end fitting which sometimes occurs at the start of the test is also included.

iTeh STANDARD PREVIEW
(standards.iteh.ai)

ISO 4023:2009
<https://standards.iteh.ai/catalog/standards/sist/75a41c5c-b8f4-4c18-a124-2d9deb2f6a9e/iso-4023-2009>

Rubber hoses and hose assemblies for steam — Test methods

WARNING — Persons using this International Standard should be familiar with normal laboratory practice. This standard does not purport to address all of the safety problems, if any, associated with its use. It is the responsibility of the user to establish appropriate health and safety practices and to ensure compliance with any national regulatory conditions.

All necessary safety devices shall be provided to ensure safe working conditions for the operators.

1 Scope

This International Standard specifies test methods in which a rubber hose test piece or hose assembly is exposed to saturated steam, thus simulating service conditions.

Four methods are specified, namely:

- method A: vertical rack method;
 - method B: horizontal rack method;
 - method C: flexing test, vertical arrangement;
 - method D: flexing test, horizontal arrangement.
- <https://standards.iteh.ai/catalog/standards/sist/75a41c5c-b8f4-4c18-a124-2d9deb2f6ace/iso-4023-2009>

2 Normative references

The following referenced documents are indispensable for the application of this document. For dated references, only the edition cited applies. For undated references, the latest edition of the referenced document (including any amendments) applies.

ISO 6134, *Rubber hoses and hose assemblies for saturated steam — Specification*

3 Method A: Vertical rack method

3.1 Principle

A length of hose or hose assembly is held in a fixed vertical position and saturated steam is passed through it.

NOTE The temperature or pressure of the steam and the time of exposure are given in ISO 6134 for each particular hose type. The relevant hose product standard will normally state which, if any, physical properties are to be used to check for hose deterioration as well as the permitted changes in these properties. Properties commonly specified are bursting strength, tensile strength, elongation at break of the lining and/or cover and adhesion between layers. Visually assessed test criteria may also be specified, for example rupture of reinforcement, cracking of cover to a specified depth and pitting or blistering of the lining. Sometimes, the time of exposure until the hose fails may be specified as the test criterion.

For hose assemblies, the check is carried out as for hoses but, in addition, it is recorded in the test report whether there is any failure or leakage at the end-fitting-to-hose interface.

3.2 Apparatus

Refer to Figure 1. Two fixed horizontal steam manifolds having suitable connections for attaching test pieces are placed one above the other at such a distance that the test pieces will just fit between the connections in a vertical position without distortion. Dry saturated steam at the required pressure is supplied to the test pieces through the upper manifold, which is equipped with a pressure-regulating valve, a recording gauge and one or more suitable indicating gauges. The lower manifold is connected to a steam trap. Shut-off valves are provided at each opening in each manifold.

Should the apparatus be confined within an enclosure as a safety precaution, the enclosure shall be designed so that the ambient temperature measured 25 mm from the outer surface of the hose is not more than 11 °C above room temperature.

3.3 Test piece

3.3.1 Hoses

The test piece shall be a sample of hose, not less than 500 mm in length, and of a length sufficient to allow coupling removal after the steam test and recoupling the hose with an appropriate coupling for a burst test.

3.3.2 Hose assemblies

The test piece for the hose assembly shall be not less than 500 mm in length and shall be fitted with the recommended or specified end fittings.

3.4 Procedure

iTeh STANDARD PREVIEW
(standards.iteh.ai)

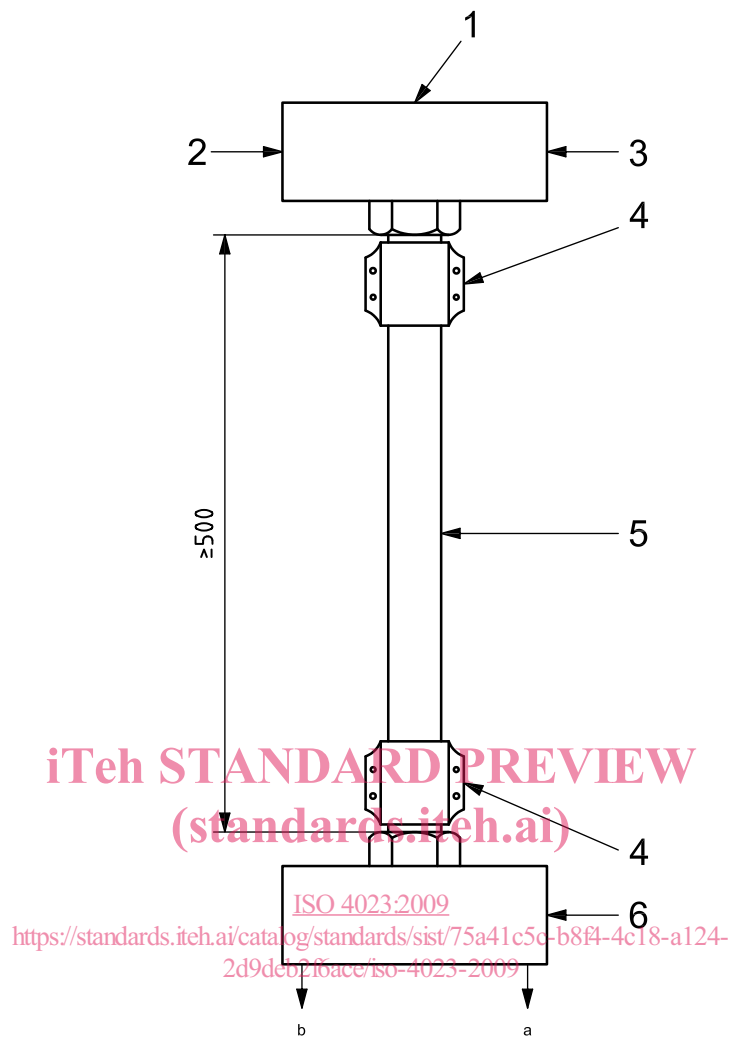
Mount the test piece in the apparatus and subject it to the internal steam conditions specified in ISO 6134 for the particular type of hose under test. After exposure for the time specified in ISO 6134 for the particular type of hose under test, release the pressure in the test piece, remove it from the apparatus, allow it to cool and hold it under atmospheric conditions for not less than 16 h and not more than 100 h.

After this time, examine the test piece visually and carry out the physical determinations specified; at the same time, determine the same properties on a length of hose or a hose assembly which has not been exposed. In the case of hose assemblies, if a burst test is specified in the relevant product standard the complete hose assembly shall be removed from the apparatus to carry out the test.

If so specified, the exposure shall be continued until the hose or hose assembly fails, as indicated by the specified criteria, and the time to failure noted. These specified criteria will be stated in the relevant hose product standard.

Normally, at the start of the test, tightening of the hose end fittings to stop initial slight leakage between end fitting and hose body is allowed, unless the hose product standard explicitly forbids it. Once the end fittings have been tightened and leakage has been stopped as a result of this action, however, further tightening necessary to stop any subsequent leakage is not allowed and the hose assembly will be considered to have failed the test if such leakage takes place.

Dimensions in millimetres



Key

- 1 steam inlet manifold
 - 2 recording and indicating gauges
 - 3 pressure-regulating valve
 - 4 suitable end fittings with couplings
 - 5 steam hose or hose assembly under test
 - 6 manifold
- a To open/close valve.
 b To steam trap.

Figure 1 — Schematic diagram of arrangement for vertical steam rack test (method A)

3.5 Test report

The test report shall include the following particulars:

- a) a full description of the hose or hose assembly (including end fittings) tested;
- b) a reference to this test method, i.e. ISO 4023:2009, method A;
- c) a reference to the relevant specification in which the test criteria are given or details of such criteria;
- d) details of the visual assessment of the test piece after testing;
- e) the results of the physical tests specified in the relevant specification;
- f) if testing was continued until the test piece failed, the time to failure;
- g) any other expression of results required by the relevant specification;
- h) any special observations.

4 Method B: Horizontal rack method

4.1 Principle

A length of hose or a hose assembly fitted with the recommended or specified end fittings is held in a horizontal position in such a manner that it sags, enabling condensate to collect in part of it.

NOTE 1 The temperature or pressure of the steam and the time of exposure are given in ISO 6134 for each particular hose type. The extent to which changes in appearance and physical properties as a result of exposure are permitted will normally be stated in the relevant hose specification (see also the note in 3.1).

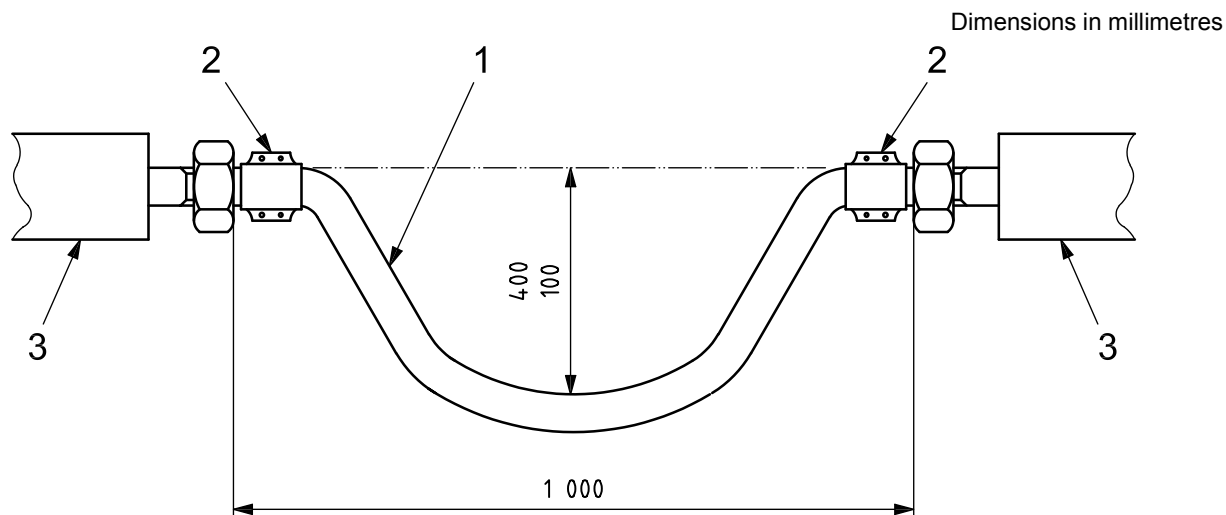
NOTE 2 This test is usually used to measure the tendency for the lining to blister or “chunk” out (“popcorning”), i.e. for portions of the lining to fracture and become detached.

For hose assemblies, the test is carried out as for hoses but, in addition, it is recorded in the test report whether there is any failure or leakage at the end-fitting-to-hose interface.

4.2 Apparatus

Refer to Figure 2. Two fixed horizontal steam manifolds having suitable connections for attaching test pieces are placed parallel to each other and in the same horizontal plane approximately 1 m from each other. Dry saturated steam at the required pressure is supplied to the test piece through one manifold, which is equipped with a pressure-regulating valve, a recording gauge and a suitable indicating gauge. The other manifold is connected to a steam trap. Shut-off valves are provided at each opening in each manifold.

Should the apparatus be confined within an enclosure as a safety precaution, the enclosure shall be so designed that the ambient temperature measured 25 mm from the outer surface of the hose is not greater than 11 °C above room temperature.

**Key**

- 1 hose or hose assembly under test
- 2 suitable end fittings with couplings
- 3 manifold

Figure 2 — Schematic diagram of arrangement for horizontal steam rack test (method B)

4.3 Test piece

The test piece shall be a sample of hose or a hose assembly fitted with the recommended or specified end fittings and of suitable length to conform to Figure 2.

4.4 Procedure

Mount the test piece in the apparatus so that there is a sag in the hose of 100 mm to 400 mm below the level of the hose at the manifolds. Subject the hose to the internal steam conditions specified in ISO 6134 for the particular type of hose under test. After 20 h, exhaust the hose within a time of 1 min or less and allow the hose to cool to room temperature for 4 h. Repeat this cycle for the length of time specified in ISO 6134 for the particular type of hose under test.

After exposure for the specified time, release the pressure in the test piece, remove it from the apparatus, allow it to cool and hold it under atmospheric conditions for not less than 16 h and not more than 100 h.

After this time, examine the test piece visually and carry out the physical determinations specified; at the same time, determine the same properties on a length of hose or a hose assembly which has not been exposed. In the case of hose assemblies, if a burst test is specified in the relevant product standard the complete hose assembly shall be removed from the apparatus to carry out the test.

If so specified, the exposure shall be continued until the hose (or hose assembly) fails, as indicated by the specified criteria, and the time to failure noted. These specified criteria will be stated in the relevant hose product standard.

Normally, at the start of the test, tightening of the hose end fittings to stop initial slight leakage between end fitting and hose body is allowed, unless the hose product standard explicitly forbids it. Once the end fittings have been tightened and leakage has been stopped as a result of this action, however, further tightening necessary to stop any subsequent leakage is not allowed and the hose assembly will be considered to have failed the test if such leakage takes place.