
**Microscopes — Interfacing connection
type C**

Microscopes — Raccord d'interface de type C

iTeh STANDARD PREVIEW
(standards.iteh.ai)

[ISO 10935:2009](https://standards.iteh.ai/catalog/standards/sist/3143966c-b10c-495a-a114-582f85e3808e/iso-10935-2009)

<https://standards.iteh.ai/catalog/standards/sist/3143966c-b10c-495a-a114-582f85e3808e/iso-10935-2009>



PDF disclaimer

This PDF file may contain embedded typefaces. In accordance with Adobe's licensing policy, this file may be printed or viewed but shall not be edited unless the typefaces which are embedded are licensed to and installed on the computer performing the editing. In downloading this file, parties accept therein the responsibility of not infringing Adobe's licensing policy. The ISO Central Secretariat accepts no liability in this area.

Adobe is a trademark of Adobe Systems Incorporated.

Details of the software products used to create this PDF file can be found in the General Info relative to the file; the PDF-creation parameters were optimized for printing. Every care has been taken to ensure that the file is suitable for use by ISO member bodies. In the unlikely event that a problem relating to it is found, please inform the Central Secretariat at the address given below.

iTeh STANDARD PREVIEW
(standards.iteh.ai)

ISO 10935:2009

<https://standards.iteh.ai/catalog/standards/sist/3143966c-b10c-495a-a114-582f85e3808e/iso-10935-2009>



COPYRIGHT PROTECTED DOCUMENT

© ISO 2009

All rights reserved. Unless otherwise specified, no part of this publication may be reproduced or utilized in any form or by any means, electronic or mechanical, including photocopying and microfilm, without permission in writing from either ISO at the address below or ISO's member body in the country of the requester.

ISO copyright office
Case postale 56 • CH-1211 Geneva 20
Tel. + 41 22 749 01 11
Fax + 41 22 749 09 47
E-mail copyright@iso.org
Web www.iso.org

Published in Switzerland

Foreword

ISO (the International Organization for Standardization) is a worldwide federation of national standards bodies (ISO member bodies). The work of preparing International Standards is normally carried out through ISO technical committees. Each member body interested in a subject for which a technical committee has been established has the right to be represented on that committee. International organizations, governmental and non-governmental, in liaison with ISO, also take part in the work. ISO collaborates closely with the International Electrotechnical Commission (IEC) on all matters of electrotechnical standardization.

International Standards are drafted in accordance with the rules given in the ISO/IEC Directives, Part 2.

The main task of technical committees is to prepare International Standards. Draft International Standards adopted by the technical committees are circulated to the member bodies for voting. Publication as an International Standard requires approval by at least 75 % of the member bodies casting a vote.

Attention is drawn to the possibility that some of the elements of this document may be the subject of patent rights. ISO shall not be held responsible for identifying any or all such patent rights.

ISO 10935 was prepared by Technical Committee ISO/TC 172, *Optics and photonics*, Subcommittee SC 5, *Microscopes and endoscopes*.

This second edition cancels and replaces the first edition (ISO 10935:1996), which has been technically revised.

iTeh STANDARD PREVIEW
(standards.iteh.ai)

ISO 10935:2009
<https://standards.iteh.ai/catalog/standards/sist/3143966c-b10c-495a-a114-582f85e3808e/iso-10935-2009>

iTeh STANDARD PREVIEW
(standards.iteh.ai)

ISO 10935:2009

<https://standards.iteh.ai/catalog/standards/sist/3143966c-b10c-495a-a114-582f85e3808e/iso-10935-2009>

Microscopes — Interfacing connection type C

1 Scope

This International Standard specifies the dimensions of a thread mount connection type C for a microscope imaging exit port (other than a monocular or binocular viewing tube) and the position of the image plane.

2 Normative references

The following referenced documents are indispensable for the application of this document. For dated references, only the edition cited applies. For undated references, the latest edition of the referenced document (including any amendments) applies.

ISO 263:1973, *ISO inch screw threads — General plan and selection for screws, bolts and nuts — Diameter range 0,06 to 6 in*

ISO 10934-1, *Optics and optical instruments — Vocabulary for microscopy — Part 1: Light microscopy*

3 Terms and definitions

For the purposes of this document, the terms and definitions given in ISO 10934-1 and the following apply.

3.1

male component

imaging exit port of a microscope on to which a camera or other optical detecting device is mounted

3.2

female component

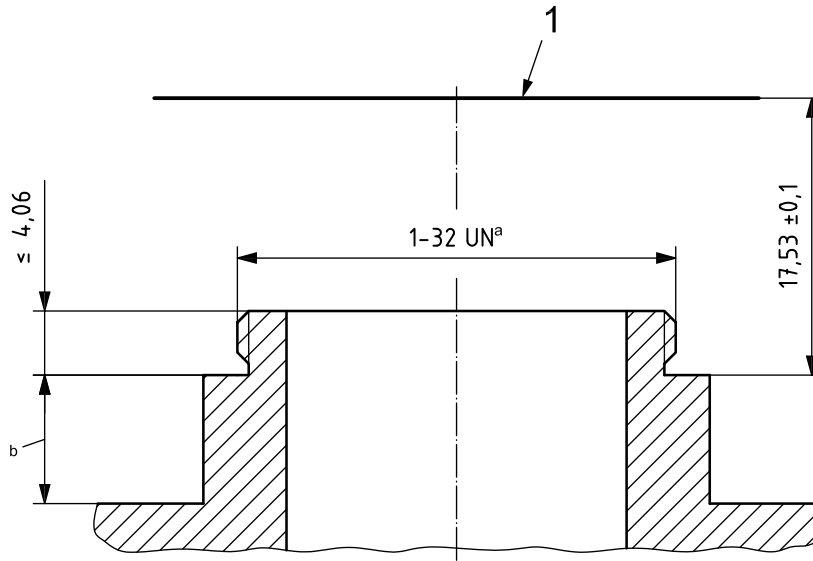
fitting of the camera or other optical detecting device into which the microscope exit port is inserted

4 Requirements

The dimensions of the male component shall be as shown in Figure 1; the dimensions of the female component shall be as shown in Figure 2.

The position of the image plane shall be as shown in Figure 1 and Figure 2.

Dimensions in millimetres



Key

1 image plane

^a In accordance with ISO 263.

^b Open.

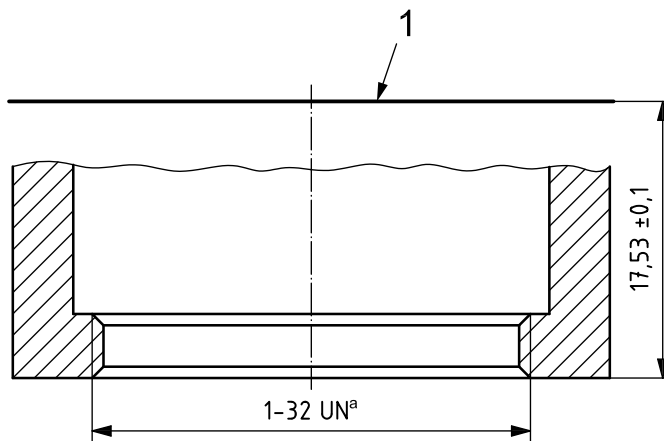
NOTE The distance 17,53 mm is measured in air.

iTeh STANDARD PREVIEW
(standards.iteh.ai)

Figure 1 — Dimensions of male component and position of the image plane

ISO 10935:2009
<https://standards.iteh.ai/catalog/standards/sist/3143966c-b10c-495a-a114-582f85e3808e/iso-10935-2009>

Dimensions in millimetres



Key

1 image plane

^a In accordance with ISO 263.

NOTE The distance 17,53 mm is measured in air.

Figure 2 — Dimensions of female component and position of the image plane

iTeh STANDARD PREVIEW
(standards.iteh.ai)

ISO 10935:2009

<https://standards.iteh.ai/catalog/standards/sist/3143966c-b10c-495a-a114-582f85e3808e/iso-10935-2009>

iTeh STANDARD PREVIEW
(standards.iteh.ai)

ISO 10935:2009

<https://standards.iteh.ai/catalog/standards/sist/3143966c-b10c-495a-a114-582f85e3808e/iso-10935-2009>

ICS 37.020

Price based on 2 pages