
**Road vehicles — Connectors for the
electrical connection of towing and
towed vehicles —**

Part 1:

**13-pole connectors for vehicles with 12 V
nominal supply voltage not intended to
cross water fords**

iTeh STANDARD PREVIEW
(standards.iteh.ai)

*Véhicules routiers — Connecteurs pour liaisons électriques entre
véhicules tracteurs et véhicules tractés —*

ISO 11446-1:2012

*Partie 1: Connecteurs à 13 contacts pour véhicules à tension
d'alimentation nominale de 12 V non destinés à traverser des gués*

<https://standards.iteh.ai/catalog/standards/sist/51662570-11c3-480c-8a03-56569768acc5/iso-11446-1-2012>



iTeh STANDARD PREVIEW
(standards.iteh.ai)

ISO 11446-1:2012

<https://standards.iteh.ai/catalog/standards/sist/5f6b2570-1fe5-480c-ba03-5b369768aec3/iso-11446-1-2012>



COPYRIGHT PROTECTED DOCUMENT

© ISO 2012

All rights reserved. Unless otherwise specified, no part of this publication may be reproduced or utilized in any form or by any means, electronic or mechanical, including photocopying and microfilm, without permission in writing from either ISO at the address below or ISO's member body in the country of the requester.

ISO copyright office
Case postale 56 • CH-1211 Geneva 20
Tel. + 41 22 749 01 11
Fax + 41 22 749 09 47
E-mail copyright@iso.org
Web www.iso.org

Published in Switzerland

Contents

Page

Foreword	iv
1 Scope	1
2 Normative references	1
3 Terms and definitions	1
4 Dimensions	1
4.1 General	1
4.2 Plug	1
4.3 Socket	3
4.4 Park socket	5
5 Application of the connector	7
5.1 Connector positions and free space	7
5.2 Contact allocation	7
5.3 Contact designation	7
5.4 Terminals	8
5.5 Connecting cable	8
6 Tests and requirements	8

iTeh STANDARD PREVIEW
(standards.iteh.ai)

[ISO 11446-1:2012](https://standards.iteh.ai/catalog/standards/sist/5f6b2570-1fe5-480c-ba03-5b369768aec3/iso-11446-1-2012)

<https://standards.iteh.ai/catalog/standards/sist/5f6b2570-1fe5-480c-ba03-5b369768aec3/iso-11446-1-2012>

Foreword

ISO (the International Organization for Standardization) is a worldwide federation of national standards bodies (ISO member bodies). The work of preparing International Standards is normally carried out through ISO technical committees. Each member body interested in a subject for which a technical committee has been established has the right to be represented on that committee. International organizations, governmental and non-governmental, in liaison with ISO, also take part in the work. ISO collaborates closely with the International Electrotechnical Commission (IEC) on all matters of electrotechnical standardization.

International Standards are drafted in accordance with the rules given in the ISO/IEC Directives, Part 2.

The main task of technical committees is to prepare International Standards. Draft International Standards adopted by the technical committees are circulated to the member bodies for voting. Publication as an International Standard requires approval by at least 75 % of the member bodies casting a vote.

Attention is drawn to the possibility that some of the elements of this document may be the subject of patent rights. ISO shall not be held responsible for identifying any or all such patent rights.

ISO 11446-1 was prepared by Technical Committee ISO/TC 22, *Road vehicles*, Subcommittee SC 3, *Electrical and electronic equipment*.

This first edition of ISO 11446-1 cancels and replaces the third edition of ISO 11446:2004, which has been technically revised and divided into two parts, ISO 11446-1 for vehicles *not* intended to cross water fords and ISO 11446-2 for vehicles intended to cross water fords.

ISO 11446 consists of the following parts, under the general title *Road vehicles — Connectors for the electrical connection of towing and towed vehicles*:

- Part 1: 13-pole connectors for vehicles with 12 V nominal supply voltage not intended to cross water fords
- Part 2: 13-pole connectors for vehicles with 12 V nominal supply voltage intended to cross water fords

<https://standards.iteh.ai/catalog/standards/sist/5f6b2570-1fe5-480c-ba03-5b369768aec3/iso-11446-1-2012>

Road vehicles — Connectors for the electrical connection of towing and towed vehicles —

Part 1: 13-pole connectors for vehicles with 12 V nominal supply voltage not intended to cross water fords

1 Scope

This part of ISO 11446 specifies the dimensional characteristics of, and contact allocation and tests and requirements for, 13-pole connectors for the electrical connection of towing and towed vehicles with 12 V nominal supply voltage not intended to cross water fords. It specifies a park socket for receiving and storing the plug when it is disconnected.

2 Normative references

The following referenced documents are indispensable for the application of this document. For dated references, only the edition cited applies. For undated references, the latest edition of the referenced document (including any amendments) applies.

ISO 1103, *Road vehicles — Coupling balls for caravans and light trailers — Dimensions*

ISO 4091, *Road vehicles — Connectors for the electrical connection of towing and towed vehicles — Definitions, tests and requirements*

ISO 4141 (all parts), *Road vehicles — Multi-core connecting cables*

3 Terms and definitions

For the purposes of this document, the terms and definitions given in ISO 4091 apply.

4 Dimensions

4.1 General

Details not specified are at the manufacturer's discretion. The contacts shall be floating and shall align to the datum position when plug and socket are engaged.

4.2 Plug

The dimensions of the plug shall be in accordance with Figure 1.

- a Twist lock shown in locked position.
- b Reference point cover pivot of socket.
- c Limiting line specifying the minimum space required for the socket cover to rest on the cover rest.
- d Angle as selected by the manufacturer.
- e Retention and sealing of connecting cable.
- f Coupling ring.
- g Sealing ring.
- h Cover rest.
- i Twist lock profile.

Figure 1 — Plug

4.3 Socket

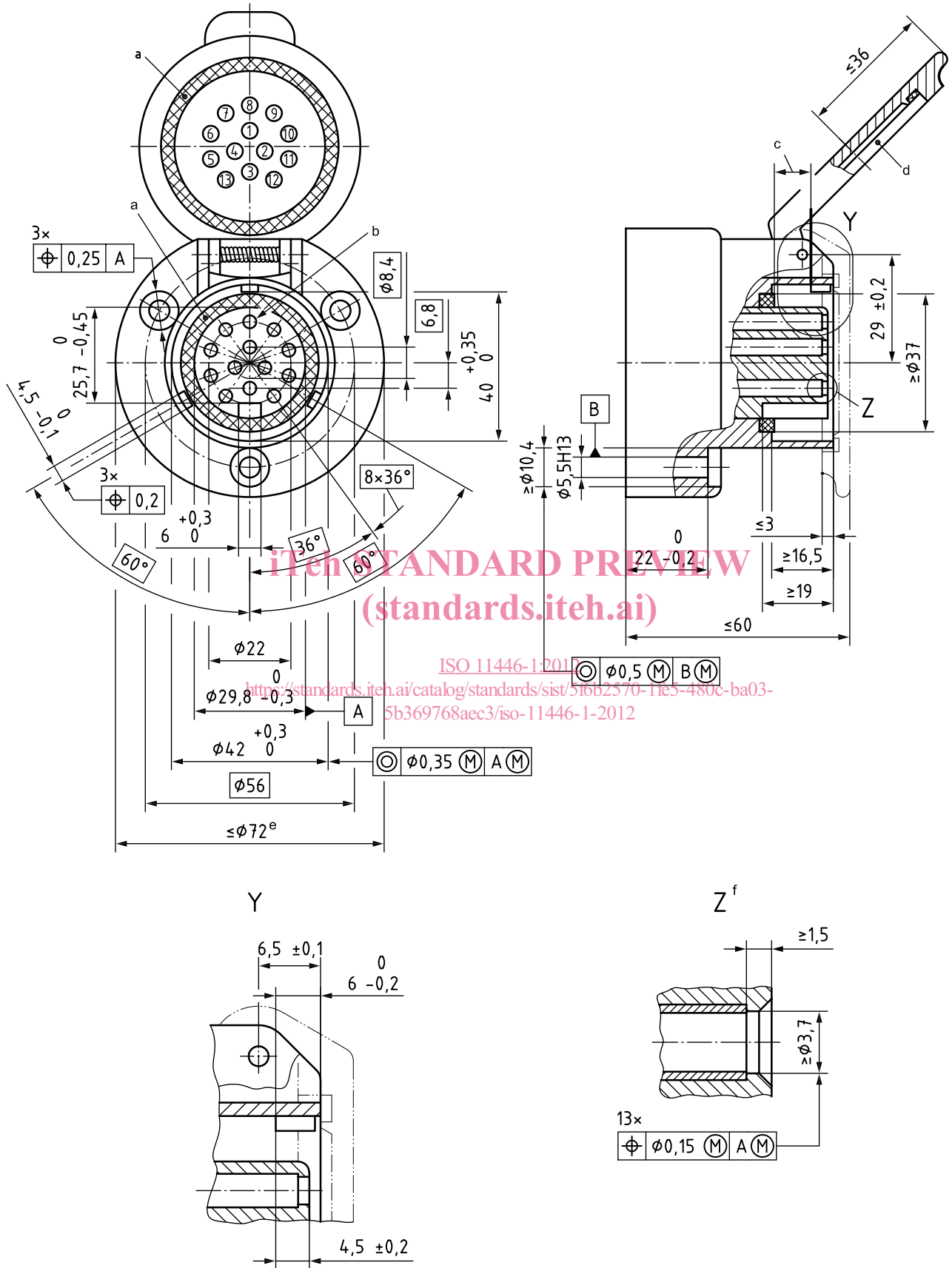
The dimensions of the socket shall be in accordance with Figure 2. The cover is shown in the open position. It shall close automatically when the plug is disconnected.

iTeh STANDARD PREVIEW
(standards.iteh.ai)

[ISO 11446-1:2012](https://standards.iteh.ai/catalog/standards/sist/5f6b2570-1fe5-480c-ba03-5b369768aec3/iso-11446-1-2012)

<https://standards.iteh.ai/catalog/standards/sist/5f6b2570-1fe5-480c-ba03-5b369768aec3/iso-11446-1-2012>

Dimensions in millimetres



- a Sealing as selected by the manufacturer.
- b Contact No. 8.
- c Position according to the plug dimension and twist lock torque between 1 N·m and 3,5 N·m.
- d Opening angle minimum 135°.
- e Other housing design is permitted provided the dimensions are within the maximum diameter.
- f Contact sleeve.

Figure 2 — Socket

4.4 Park socket

The dimensions of the park socket shall be in accordance with Figure 3. The cover is shown in the open position. It shall close automatically when the plug is disconnected.

iTeh STANDARD PREVIEW
(standards.iteh.ai)

[ISO 11446-1:2012](https://standards.iteh.ai/catalog/standards/sist/5f6b2570-1fe5-480c-ba03-5b369768aec3/iso-11446-1-2012)

<https://standards.iteh.ai/catalog/standards/sist/5f6b2570-1fe5-480c-ba03-5b369768aec3/iso-11446-1-2012>