

---

---

**Transfusion equipment for medical use —  
Part 4:  
Transfusion sets for single use**

*Matériel de transfusion à usage médical —*

*Partie 4: Appareils de transfusion non réutilisables*

**iTeh STANDARD PREVIEW**  
**(standards.iteh.ai)**

ISO 1135-4:2010

<https://standards.iteh.ai/catalog/standards/sist/4cd294f1-0297-4923-8e78-7ab29825d8d1/iso-1135-4-2010>



**PDF disclaimer**

This PDF file may contain embedded typefaces. In accordance with Adobe's licensing policy, this file may be printed or viewed but shall not be edited unless the typefaces which are embedded are licensed to and installed on the computer performing the editing. In downloading this file, parties accept therein the responsibility of not infringing Adobe's licensing policy. The ISO Central Secretariat accepts no liability in this area.

Adobe is a trademark of Adobe Systems Incorporated.

Details of the software products used to create this PDF file can be found in the General Info relative to the file; the PDF-creation parameters were optimized for printing. Every care has been taken to ensure that the file is suitable for use by ISO member bodies. In the unlikely event that a problem relating to it is found, please inform the Central Secretariat at the address given below.

**iTeh STANDARD PREVIEW**  
**(standards.iteh.ai)**

ISO 1135-4:2010

<https://standards.iteh.ai/catalog/standards/sist/4cd294f1-0297-4923-8e78-7ab29825d8d1/iso-1135-4-2010>



**COPYRIGHT PROTECTED DOCUMENT**

© ISO 2010

All rights reserved. Unless otherwise specified, no part of this publication may be reproduced or utilized in any form or by any means, electronic or mechanical, including photocopying and microfilm, without permission in writing from either ISO at the address below or ISO's member body in the country of the requester.

ISO copyright office  
Case postale 56 • CH-1211 Geneva 20  
Tel. + 41 22 749 01 11  
Fax + 41 22 749 09 47  
E-mail [copyright@iso.org](mailto:copyright@iso.org)  
Web [www.iso.org](http://www.iso.org)

Published in Switzerland

# Contents

Page

Foreword .....	iv
<b>1</b> <b>Scope</b> .....	<b>1</b>
<b>2</b> <b>Normative references</b> .....	<b>1</b>
<b>3</b> <b>General requirements</b> .....	<b>2</b>
<b>3.1</b> <b>Nomenclature for components of the transfusion set</b> .....	<b>2</b>
<b>3.2</b> <b>Maintenance of sterility</b> .....	<b>3</b>
<b>3.3</b> <b>Designation</b> .....	<b>3</b>
<b>4</b> <b>Materials</b> .....	<b>3</b>
<b>5</b> <b>Physical requirements</b> .....	<b>3</b>
<b>5.1</b> <b>Particulate contamination</b> .....	<b>3</b>
<b>5.2</b> <b>Leakage</b> .....	<b>3</b>
<b>5.3</b> <b>Tensile strength</b> .....	<b>3</b>
<b>5.4</b> <b>Closure-piercing device</b> .....	<b>3</b>
<b>5.5</b> <b>Tubing</b> .....	<b>4</b>
<b>5.6</b> <b>Filter for blood and blood components</b> .....	<b>4</b>
<b>5.7</b> <b>Drip chamber and drip tube</b> .....	<b>4</b>
<b>5.8</b> <b>Flow regulator</b> .....	<b>4</b>
<b>5.9</b> <b>Flow rate of blood and blood components</b> .....	<b>4</b>
<b>5.10</b> <b>Injection site</b> .....	<b>5</b>
<b>5.11</b> <b>Male conical fitting</b> .....	<b>5</b>
<b>5.12</b> <b>Protective caps</b> .....	<b>5</b>
<b>6</b> <b>Chemical requirements</b> .....	<b>5</b>
<b>6.1</b> <b>Reducing (oxidizable) matter</b> .....	<b>5</b>
<b>6.2</b> <b>Metal ions</b> .....	<b>5</b>
<b>6.3</b> <b>Titration acidity or alkalinity</b> .....	<b>5</b>
<b>6.4</b> <b>Residue on evaporation</b> .....	<b>5</b>
<b>6.5</b> <b>UV absorption of extract solution</b> .....	<b>5</b>
<b>7</b> <b>Biological requirements</b> .....	<b>6</b>
<b>7.1</b> <b>General</b> .....	<b>6</b>
<b>7.2</b> <b>Sterility</b> .....	<b>6</b>
<b>7.3</b> <b>Pyrogenicity</b> .....	<b>6</b>
<b>7.4</b> <b>Haemolysis</b> .....	<b>6</b>
<b>7.5</b> <b>Toxicity</b> .....	<b>6</b>
<b>8</b> <b>Labelling</b> .....	<b>6</b>
<b>8.1</b> <b>Unit container</b> .....	<b>6</b>
<b>8.2</b> <b>Shelf or multi-unit container</b> .....	<b>7</b>
<b>9</b> <b>Packaging</b> .....	<b>7</b>
<b>10</b> <b>Disposal</b> .....	<b>7</b>
<b>Annex A (normative) Physical tests</b> .....	<b>8</b>
<b>Annex B (normative) Chemical tests</b> .....	<b>12</b>
<b>Annex C (normative) Biological tests</b> .....	<b>14</b>
<b>Bibliography</b> .....	<b>15</b>

## Foreword

ISO (the International Organization for Standardization) is a worldwide federation of national standards bodies (ISO member bodies). The work of preparing International Standards is normally carried out through ISO technical committees. Each member body interested in a subject for which a technical committee has been established has the right to be represented on that committee. International organizations, governmental and non-governmental, in liaison with ISO, also take part in the work. ISO collaborates closely with the International Electrotechnical Commission (IEC) on all matters of electrotechnical standardization.

International Standards are drafted in accordance with the rules given in the ISO/IEC Directives, Part 2.

The main task of technical committees is to prepare International Standards. Draft International Standards adopted by the technical committees are circulated to the member bodies for voting. Publication as an International Standard requires approval by at least 75 % of the member bodies casting a vote.

Attention is drawn to the possibility that some of the elements of this document may be the subject of patent rights. ISO shall not be held responsible for identifying any or all such patent rights.

ISO 1135-4 was prepared by Technical Committee ISO/TC 76, *Transfusion, infusion and injection equipment for medical and pharmaceutical use*, and by Technical Committee CEN/TC 205, *Non-active medical devices* in collaboration.

iTeh STANDARD PREVIEW

This fourth edition cancels and replaces the third edition (ISO 1135-4:2004), which has been revised at Clause A.1 (Test for particulate contamination). In addition, all requirements regarding the no-longer-used air inlet device have been deleted. Finally, 5.4 has been revised to improve compatibility between the closure-piercing device and blood bag ports.

[ISO 1135-4:2010](https://standards.iteh.ai/catalog/standards/sist/4cd294f1-0297-4923-8e78-7eb298254841/iso-1135-4-2010)

[https://standards.iteh.ai/catalog/standards/sist/4cd294f1-0297-4923-8e78-](https://standards.iteh.ai/catalog/standards/sist/4cd294f1-0297-4923-8e78-7eb298254841/iso-1135-4-2010)

ISO 1135 consists of the following parts, under the general title *Transfusion equipment for medical use*:

- *Part 3: Blood-taking set*
- *Part 4: Transfusion sets for single use*

# Transfusion equipment for medical use —

## Part 4: Transfusion sets for single use

### 1 Scope

This part of ISO 1135 specifies requirements for single-use transfusion sets for medical use in order to ensure their compatibility with containers for blood and blood components as well as with intravenous equipment.

Secondary aims of this part of ISO 1135 are to provide guidance on specifications relating to the quality and performance of materials used in transfusion sets and to present designations for transfusion set components.

In some countries, the national pharmacopoeia or other national regulations are legally binding and take precedence over this part of ISO 1135.

iTeh STANDARD PREVIEW

### 2 Normative references (standards.iteh.ai)

The following referenced documents are indispensable for the application of this document. For dated references, only the edition cited applies. For undated references, the latest edition of the referenced document (including any amendments) applies.

ISO 594-1:1986, *Conical fittings with a 6 % (Luer) taper for syringes, needles and certain other medical equipment — Part 1: General requirements*

ISO 594-2:1998, *Conical fittings with 6 % (Luer) taper for syringes, needles and certain other medical equipment — Part 2: Lock fittings*

ISO 3696:1987, *Water for analytical laboratory use — Specification and test methods*

ISO 3826-1:2003, *Plastics collapsible containers for human blood and blood components — Part 1: Conventional containers*

ISO 7864:1993, *Sterile hypodermic needles for single use*

ISO 14644-1:1999, *Cleanrooms and associated controlled environments — Part 1: Classification of air cleanliness*

ISO 15223-1:—<sup>1)</sup>, *Medical devices — Symbols to be used with medical device labels, labelling and information to be supplied — Part 1: General requirements*

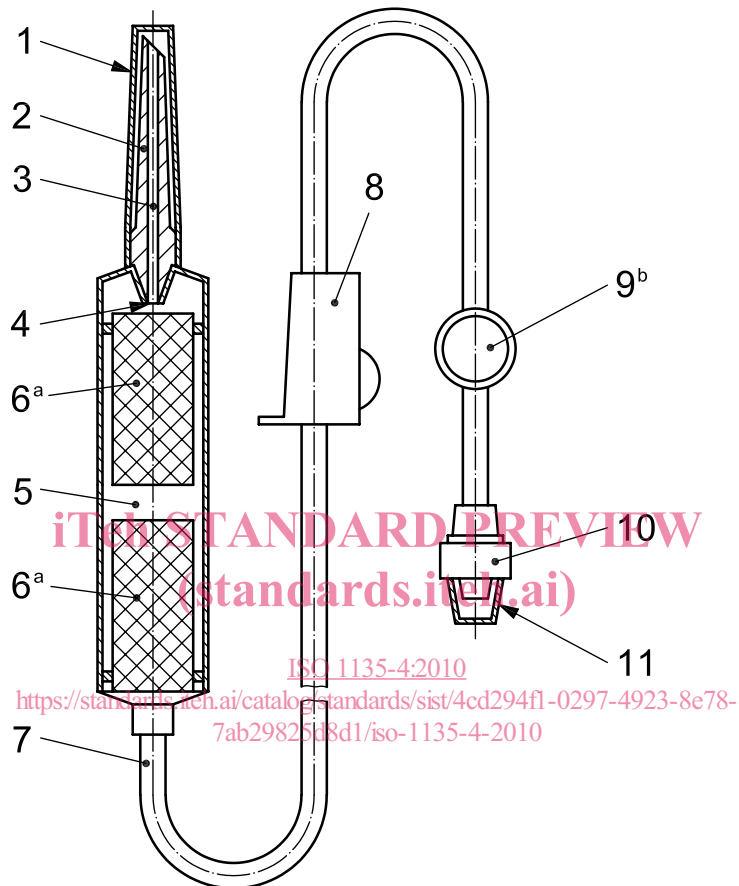
---

1) To be published. (Revision of ISO 15223-1:2007)

### 3 General requirements

#### 3.1 Nomenclature for components of the transfusion set

The nomenclature for components of transfusion sets is given in Figure 1.



**Key**

- |   |   |
|---|---|
| 1 protective cap of the closure-piercing device | 7 tubing                                      |
| 2 closure-piercing device                       | 8 flow regulator                              |
| 3 fluid channel                                 | 9 injection site                              |
| 4 drip tube                                     | 10 male conical fitting                       |
| 5 drip chamber                                  | 11 protective cap of the male conical fitting |
| 6 filter for blood and blood components         |   |

<sup>a</sup> Indicates alternative locations of the filter for blood and blood components. Other designs are acceptable if the same safety aspects are ensured.

<sup>b</sup> Injection site is optional.

**Figure 1 — Example of a transfusion set**

### 3.2 Maintenance of sterility

The transfusion set shall be provided with protective caps to maintain sterility of the internal parts of the set until the set is used.

### 3.3 Designation

A transfusion set complying with the requirements of this part of ISO 1135 is designated as follows.

**Transfusion set ISO 1135-4**

## 4 Materials

The materials from which the transfusion sets given in Clause 3 are manufactured shall comply with the requirements specified in Clause 5. If components of the transfusion set come into contact with blood and blood components, they shall additionally comply with the requirements specified in Clauses 6 and 7.

## 5 Physical requirements

### 5.1 Particulate contamination

The transfusion sets shall be manufactured under conditions that minimize particulate contamination. All parts shall be smooth and clean at the fluid pathway surfaces. When tested as specified in A.1, the number of particles detected shall not exceed the contamination index limit.

### 5.2 Leakage

The transfusion set, when tested in accordance with A.2, shall show no signs of air leakage.

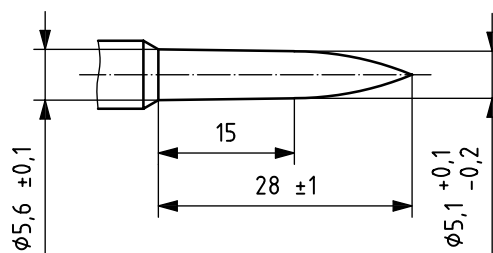
### 5.3 Tensile strength

Any connections between the components of the transfusion set, excluding protective caps, shall withstand a static tensile force of not less than 15 N for 15 s.

### 5.4 Closure-piercing device

5.4.1 The dimensions of the closure-piercing device shall conform to the dimensions shown in Figure 2.

NOTE The dimension of 15 mm in Figure 2 is a reference measurement. The cross-section of the piercing device at this site is a circle.



Dimensions in millimetres

Figure 2 — Dimensions of the closure-piercing device

**5.4.2** The closure-piercing device shall be capable of piercing and penetrating the closure of a container for blood and blood components without prepiercing. No coring should occur during this procedure.

NOTE 1 A carefully controlled surface treatment of the closure-piercing device (e.g. siliconization) is recommended to facilitate its insertion into the blood bag port. The same effect may be achieved by a careful selection of material for the closure-piercing device. Typical results including test equipment for penetration forces between spikes and blood bag ports have been published. See references [11] and [12].

NOTE 2 A central closure-piercing device tip is preferred to an asymmetric design in order to aid its insertion.

**5.4.3** When inserted into a blood bag port conforming to ISO 3826-1, the closure-piercing device shall resist a pull force of 15 N for 15 s.

**5.4.4** When tested in accordance with ISO 3826-1:2003, 5.3, the connection between the closure-piercing device and the blood bag port shall show no evidence of leakage.

## 5.5 Tubing

**5.5.1** The tubing, made of flexible material, shall be transparent or sufficiently translucent so that the interface of air and water during the passage of air bubbles can be observed with normal or corrected-to-normal vision.

**5.5.2** The tubing from the distal end to the drip chamber shall be not less than 1 500 mm in length, including the injection site, when provided, and the male conical fitting.

## 5.6 Filter for blood and blood components

The transfusion set shall be provided with a filter for blood and blood components. The filter shall have uniform pores and shall cover a total area of not less than 10 cm<sup>2</sup>. When tested in accordance with A.3.2, the mass of solid material retained on the filter shall be not less than 80 % (mass fraction) of that retained on the reference filter.

ISO 1135-4:2010

[https://standards.iteh.ai/catalog/standards/sist/4cd294f1-0297-4923-8e78-](https://standards.iteh.ai/catalog/standards/sist/4cd294f1-0297-4923-8e78-7ab29825d8d1/iso-1135-4-2010)

[7ab29825d8d1/iso-1135-4-2010](https://standards.iteh.ai/catalog/standards/sist/4cd294f1-0297-4923-8e78-7ab29825d8d1/iso-1135-4-2010)

## 5.7 Drip chamber and drip tube

The drip chamber shall permit continuous observation of the fall of drops. The liquid shall enter the drip chamber through a tube which projects into the chamber. There shall be a distance of not less than 40 mm between the end of the drip tube and the outlet of the chamber, or a distance of not less than 20 mm between the drip tube and the filter for blood and blood components. The wall of the drip chamber shall not be closer than 5 mm to the end of the drip tube. The drip tube shall be such that 20 drops of distilled water at (23 ± 2) °C and at a flow rate of (50 ± 10) drops/min deliver (1 ± 0,1) ml [(1 ± 0,1) g].

The drip chamber should permit and facilitate the procedure of priming.

## 5.8 Flow regulator

The flow regulator shall adjust the flow of the blood and blood components between zero and maximum.

The flow regulator should be capable of continuous use throughout a transfusion without the tubing being damaged. There should be no deleterious reaction between the flow regulator and the tubing when stored in such a manner that there is contact.

## 5.9 Flow rate of blood and blood components

The transfusion set shall deliver not less than 1 000 ml of blood at (23 ± 2) °C in 30 min with a pressure difference of 10 kPa. The transfusion set shall also deliver not less than 500 ml of blood in 2 min under a pressure of 30 kPa above atmospheric pressure.

The blood shall be collected into a suitable anticoagulant solution and stored for not less than 2 weeks, and be free of large clots.



### 5.10 Injection site

When provided, the self-sealing injection site shall reseal when tested in accordance with A.4, and there shall be no leakage of more than one falling drop of water.

The injection site should be located near the male conical fitting.

### 5.11 Male conical fitting

The distal end of the tubing shall terminate in a male conical fitting conforming with ISO 594-1 or ISO 594-2.

Luer lock fittings in accordance with ISO 594-2 should be used.

### 5.12 Protective caps

The protective caps at the end of the transfusion set shall maintain the sterility of the closure-piercing device, the male conical fitting and the interior of the transfusion set.

Protective caps should be secure but easily removable.

## 6 Chemical requirements

### 6.1 Reducing (oxidizable) matter

When tested in accordance with B.2, the total amount of potassium permanganate solution [ $c(\text{KMnO}_4) = 0,002 \text{ mol/l}$ ] used shall not exceed 2,0 ml.

### 6.2 Metal ions

The extract shall not contain in total more than 1  $\mu\text{g/ml}$  of barium, chromium, copper, lead and tin, and not more than 0,1  $\mu\text{g/ml}$  of cadmium, when determined by atomic absorption spectroscopy (AAS) or an equivalent method.

When tested in accordance with B.3, the intensity of the colour produced in the test solution shall not exceed that of the standard matching solution containing  $\beta(\text{Pb}^{2+}) = 1 \mu\text{g/ml}$ .

### 6.3 Titration acidity or alkalinity

When tested in accordance with B.4, not more than 1 ml of either standard volumetric solution shall be required for the indicator to change to the colour grey.

### 6.4 Residue on evaporation

When tested in accordance with B.5, the total amount of dry residue shall not exceed 5 mg.

### 6.5 UV absorption of extract solution

When tested in accordance with B.6, the extract solution  $S_1$  shall not show absorption greater than 0,1.

## 7 Biological requirements

### 7.1 General

The transfusion set shall not release any substances which may adversely affect the patient (see C.2).

### 7.2 Sterility

The transfusion set in its unit container shall have been subjected to a validated sterilization process (see Bibliography).

### 7.3 Pyrogenicity

The transfusion set shall be assessed for freedom from pyrogens using a suitable test and the results shall indicate that the transfusion set is free from pyrogenicity. Testing for pyrogenicity shall be carried out in accordance with Annex C.

### 7.4 Haemolysis

The transfusion set shall be assessed for freedom from haemolytic constituents and the result shall indicate that the transfusion set is free from haemolytic reactions. Guidance on testing for haemolytic constituents is given in ISO 10993-4.

### 7.5 Toxicity

Materials shall be assessed for toxicity by carrying out suitable tests and the results of the tests shall indicate freedom from toxicity. Guidance on testing for toxicity is given in ISO 10993-1.

iTeh STANDARD PREVIEW

(standards.iteh.ai)

ISO 1135-4:2010

<https://standards.iteh.ai/catalog/standards/sist/4cd294f1-0297-4923-8e78-7ab29825d8d1/iso-1135-4-2010>

## 8 Labelling

### 8.1 Unit container

The unit container shall be labelled with the following minimum information using the graphical symbols in accordance with ISO 15223-1, where appropriate:

- a) description of the contents;
- b) indication that the transfusion set is sterile;
- c) indication that the transfusion set is free from pyrogens, or that the transfusion set is free from bacterial endotoxins;
- d) indication that the transfusion set is for single use only, or equivalent wording;
- e) instructions for use, including warnings, e.g. about detached protective caps;

NOTE 1 Instructions for use can also take the form of an insert.

- f) the lot (batch) designation;
- g) year and month of expiry;
- h) the manufacturer's and/or supplier's name and address;

- i) a statement that 20 drops of distilled water delivered by the drip tube are equivalent to  $(1 \pm 0,1)$  ml [ $(1 \pm 0,1)$  g];
- j) the nominal dimensions of an intravenous needle, if included.

NOTE 2 The presence of substances of interest can be indicated by using symbol 2725 of ISO 7000 by replacing the "XXX" by the abbreviation of the substance. The absence of substances of interest can be indicated by crossing the respective symbol.

## 8.2 Shelf or multi-unit container

The shelf or multi-unit container, when used, shall be labelled with the following minimum information using the graphical symbols in accordance with ISO 15223-1, where appropriate:

- a) description of the contents;
- b) the number of transfusion sets;
- c) indication that the transfusion sets are sterile;
- d) the lot (batch) designation;
- e) year and month of expiry;
- f) the manufacturer's and/or supplier's name and address;
- g) the recommended storage conditions, if any.

NOTE The presence of substances of interest can be indicated by using symbol 7275 of ISO 7000 by replacing the "XXX" by the abbreviation of the substance. The absence of substances of interest can be indicated by crossing the respective symbol.

<https://standards.iteh.ai/catalog/standards/sist/4cd294f1-0297-4923-8e78-7ab29825d8d1/iso-1135-4-2010>

## 9 Packaging

**9.1** The transfusion sets shall be individually packed so that they remain sterile during storage.

The unit container shall be sealed in a tamper-evident manner.

**9.2** The transfusion sets shall be packed and sterilized in such a way that there are no flattened portions or kinks when they are ready for use.

## 10 Disposal

Information for a secure and environmentally sound disposal of single-use transfusion sets should be given, e.g. "Always dispose of blood contaminated products in a manner consistent with established biohazard procedures."