



SLOVENSKI STANDARD
SIST ETS 300 132-2/C1 E1:2006
01-februar-2006

Inženiring opreme (EE) – Napajalni vmesnik na vhodu v telekomunikacijsko opremo – 2. del: Obratovanje z enosmerno napetostjo (dc)

Equipment Engineering (EE); Power supply interface at the input to telecommunications equipment; Part 2: Operated by direct current (dc)

iTeh STANDARD PREVIEW
(standards.iteh.ai)

Ta slovenski standard je istoveten z: **ETS 300 132-2/C1 Edition 1**

SIST ETS 300 132-2/C1 E1:2006
<https://standards.iteh.ai/catalog/standards/sist/04e1cd11-107d-4a16-8b2f-abdddc79ba86/sist-ets-300-132-2-c1-e1-2006>

ICS:

33.050.01	Telekomunikacijska terminalska oprema na splošno	Telecommunication terminal equipment in general
-----------	--	---

SIST ETS 300 132-2/C1 E1:2006 **en**

iTeh STANDARD PREVIEW
(standards.iteh.ai)

SIST ETS 300 132-2/C1 E1:2006

<https://standards.iteh.ai/catalog/standards/sist/04efedff-107d-4af6-8b2f-abdddc79ba86/sist-ets-300-132-2-c1-e1-2006>



CORRIGENDUM

ETS 300 132-2

December 1996

Source: ETSI TC-EE

Reference: DE/EE-02001.2-C1

ICS: 33.020

Key words: Power supply

This corrigendum modifies
the European Telecommunication Standard ETS 300 132-2 (1996)
(standards.iteh.ai)

[SIST ETS 300 132-2/C1 E1:2006](https://standards.iteh.ai/catalog/standards/sist/04e6d8f-07d1-4010-b9cf-abdddc79ba86/sist-ets-300-132-2-c1-e1-2006)

<https://standards.iteh.ai/catalog/standards/sist/04e6d8f-07d1-4010-b9cf-abdddc79ba86/sist-ets-300-132-2-c1-e1-2006>

**Equipment Engineering (EE);
Power supply interface at the input to
telecommunications equipment;
Part 2: Operated by direct current (dc)**

ETSI

European Telecommunications Standards Institute

ETSI Secretariat

Postal address: F-06921 Sophia Antipolis CEDEX - FRANCE

Office address: 650 Route des Lucioles - Sophia Antipolis - Valbonne - FRANCE

X.400: c=fr, a=atlas, p=etsi, s=secretariat - **Internet:** secretariat@etsi.fr

Tel.: +33 4 92 94 42 00 - Fax: +33 4 93 65 47 16

Copyright Notification: No part may be reproduced except as authorized by written permission. The copyright and the foregoing restriction extend to reproduction in all media.

© European Telecommunications Standards Institute 1996. All rights reserved.

iTeh STANDARD PREVIEW (standards.iteh.ai)

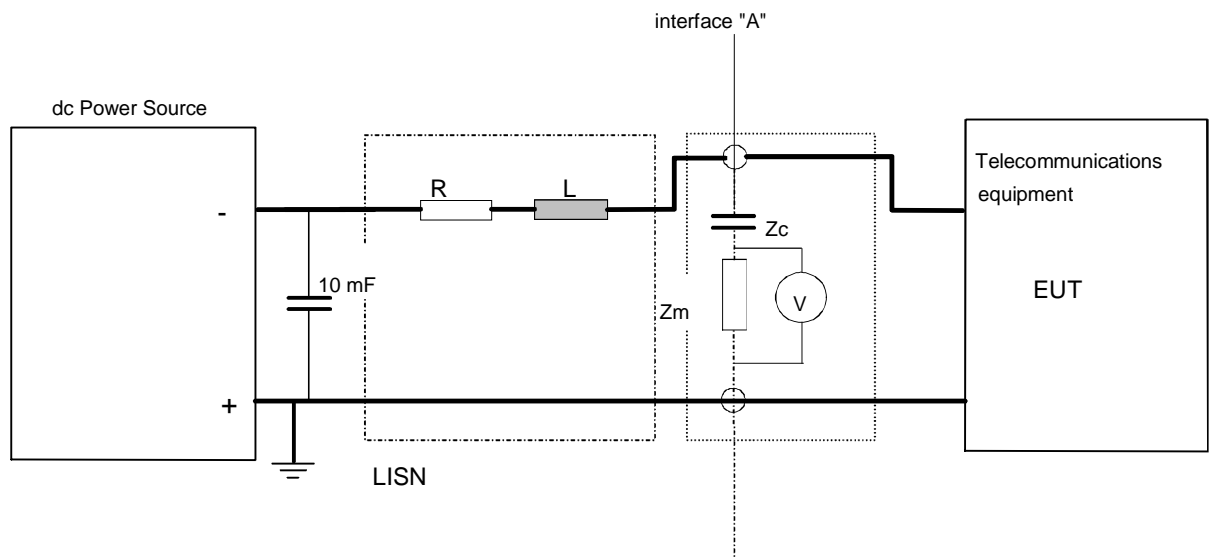
[SIST ETS 300 132-2/C1 E1:2006](https://standards.iteh.ai/catalog/standards/sist/04efedff-107d-4af6-8b2f-abdddc79ba86/sist-ets-300-132-2-c1-e1-2006)

<https://standards.iteh.ai/catalog/standards/sist/04efedff-107d-4af6-8b2f-abdddc79ba86/sist-ets-300-132-2-c1-e1-2006>

Amendments

Page 16, subclause 4.9.1

Replace figure 7 with the following figure:



$$Z_m = 50 \, \Omega$$

$Z_c \ll Z_m$ (e.g. when capacitance = 10 mF)

iTeh STANDARD PREVIEW
(standards.iteh.ai)

SIST ETS 300 132-2/C1 E1:2006

<https://standards.iteh.ai/catalog/standards/sist/04efedff-107d-4af6-8b2f-abdddc79ba86/sist-ets-300-132-2-c1-e1-2006>

History

Document history	
September 1996	First Edition
December 1996	Corrigendum to First Edition

iTeh STANDARD PREVIEW
(standards.iteh.ai)

[SIST ETS 300 132-2/C1 E1:2006](https://standards.iteh.ai/catalog/standards/sist/04efedff-107d-4af6-8b2f-abdddc79ba86/sist-ets-300-132-2-c1-e1-2006)

<https://standards.iteh.ai/catalog/standards/sist/04efedff-107d-4af6-8b2f-abdddc79ba86/sist-ets-300-132-2-c1-e1-2006>