

ETSI EN 303 345-2 V1.1.1 (2020-02)



Broadcast Sound Receivers; Part 2: AM broadcast sound service; Harmonised Standard for access to radio spectrum

*ITeH STANDARD PREVIEW
(standards.iteh.ai)
Full standard:
<https://standards.iteh.ai/catalog/standards/sis/24872248/2020-9a39-4949-8533-7a20e8b4f8f1/etsi-en-303-345-2-v1-1-2020-02>*

Reference

DEN/ERM-TG17-152

Keywordsanalogue, broadcast, harmonised standard,
radio, receiver**ETSI**650 Route des Lucioles
F-06921 Sophia Antipolis Cedex - FRANCE

Tel.: +33 4 92 94 42 00 Fax: +33 4 93 65 47 16

Siret N° 348 623 562 00017 - NAF 742 C
Association à but non lucratif enregistrée à la
Sous-Préfecture de Grasse (06) N° 7803/88

Important noticeThe present document can be downloaded from:
<http://www.etsi.org/standards-search>

The present document may be made available in electronic versions and/or in print. The content of any electronic and/or print versions of the present document shall not be modified without the prior written authorization of ETSI. In case of any existing or perceived difference in contents between such versions and/or in print, the prevailing version of an ETSI deliverable is the one made publicly available in PDF format at www.etsi.org/deliver.

Users of the present document should be aware that the document may be subject to revision or change of status. Information on the current status of this and other ETSI documents is available at <https://portal.etsi.org/TB/ETSIDeliverableStatus.aspx>

If you find errors in the present document, please send your comment to one of the following services:
<https://portal.etsi.org/People/CommiteeSupportStaff.aspx>

Copyright Notification

No part may be reproduced or utilized in any form or by any means, electronic or mechanical, including photocopying and microfilm except as authorized by written permission of ETSI.

The content of the PDF version shall not be modified without the written authorization of ETSI.

The copyright and the foregoing restriction extend to reproduction in all media.

© ETSI 2020.

All rights reserved.

DECT™, **PLUGTESTS™**, **UMTS™** and the ETSI logo are trademarks of ETSI registered for the benefit of its Members.

3GPP™ and **LTE™** are trademarks of ETSI registered for the benefit of its Members and of the 3GPP Organizational Partners.

oneM2M™ logo is a trademark of ETSI registered for the benefit of its Members and of the oneM2M Partners.

GSM® and the GSM logo are trademarks registered and owned by the GSM Association.

Contents

Intellectual Property Rights	5
Foreword.....	5
Modal verbs terminology.....	6
Introduction	6
1 Scope	7
2 References	7
2.1 Normative references	7
2.2 Informative references.....	7
3 Definition of terms, symbols and abbreviations.....	8
3.1 Terms.....	8
3.2 Symbols.....	8
3.3 Abbreviations	9
4 Technical requirements specifications	9
4.1 Test signal configurations	9
4.2 Sensitivity.....	10
4.2.1 Definition.....	10
4.2.2 Limits.....	10
4.2.3 Conformance.....	11
4.3 Adjacent channel selectivity and blocking	11
4.3.1 Definition.....	11
4.3.2 Limits.....	11
4.3.3 Conformance.....	12
5 Testing for compliance with technical requirements.....	12
5.1 Environmental conditions for testing	12
5.2 Interpretation of the measurement results	13
Annex A (informative): Relationship between the present document and the essential requirements of Directive 2014/53/EU	14
Annex B (informative): Test signal generation.....	15
Annex C (informative): Development of the present document.....	17
C.1 Introduction	17
C.2 Relevance	17
C.3 Receiver parameters under article 3.2	17
C.3.1 General	17
C.3.2 Receiver sensitivity	17
C.3.3 Receiver co-channel rejection	18
C.3.4 Receiver selectivity	18
C.3.4.1 General.....	18
C.3.4.2 Single signal selectivity	18
C.3.4.2.1 Receiver adjacent signal selectivity (adjacent channel selectivity).....	18
C.3.4.2.2 Receiver spurious response rejection	18
C.3.4.3 Receiver multiple signal selectivity	18
C.3.4.3.1 Receiver blocking	18
C.3.4.3.2 Receiver radio-frequency intermodulation.....	19
C.3.4.3.3 Receiver adjacent signal selectivity (adjacent channel selectivity).....	19
C.3.4.4 Other receiver effects.....	19
C.3.4.4.1 Receiver dynamic range.....	19
C.3.4.4.2 Reciprocal mixing.....	19
C.3.4.4.3 Desensitization	19

C.3.5 Receiver unwanted emissions in the spurious domain	20
Annex D (informative): Change History	21
History	22

iTeh STANDARD PREVIEW
(standards.iteh.ai)

Full standard:
<https://standards.iteh.ai/catalog/standards/sist/2485a520-9a39-4949-8533-7a20e8b4f8f1/etsi-en-303-345-2-v1.1.1-2020-02>

Intellectual Property Rights

Essential patents

IPRs essential or potentially essential to normative deliverables may have been declared to ETSI. The information pertaining to these essential IPRs, if any, is publicly available for **ETSI members and non-members**, and can be found in ETSI SR 000 314: "*Intellectual Property Rights (IPRs); Essential, or potentially Essential, IPRs notified to ETSI in respect of ETSI standards*", which is available from the ETSI Secretariat. Latest updates are available on the ETSI Web server (<https://ipr.etsi.org/>).

Pursuant to the ETSI IPR Policy, no investigation, including IPR searches, has been carried out by ETSI. No guarantee can be given as to the existence of other IPRs not referenced in ETSI SR 000 314 (or the updates on the ETSI Web server) which are, or may be, or may become, essential to the present document.

Trademarks

The present document may include trademarks and/or tradenames which are asserted and/or registered by their owners. ETSI claims no ownership of these except for any which are indicated as being the property of ETSI, and conveys no right to use or reproduce any trademark and/or tradename. Mention of those trademarks in the present document does not constitute an endorsement by ETSI of products, services or organizations associated with those trademarks.

Foreword

This Harmonised European Standard (EN) has been produced by ETSI Technical Committee Electromagnetic compatibility and Radio spectrum Matters (ERM).

The present document has been prepared under the Commission's standardisation request C(2015) 5376 final [i.2] to provide one voluntary means of conforming to the essential requirements of Directive 2014/53/EU on the harmonisation of the laws of the Member States relating to the making available on the market of radio equipment and repealing Directive 1999/5/EC [i.1].

Once the present document is cited in the Official Journal of the European Union under that Directive, compliance with the normative clauses of the present document given in table A.1 confers, within the limits of the scope of the present document, a presumption of conformity with the corresponding essential requirements of that Directive, and associated EFTA regulations.

The present document is part 2 of a multi-part deliverable. Full details of the entire series can be found in part 1 [1].

The present document has a number of test data files that are contained in archive en_30334501v010101p0.zip which accompanies ETSI EN 303 345-1 [1].

National transposition dates

Date of adoption of this EN:	3 February 2020
Date of latest announcement of this EN (doa):	31 May 2020
Date of latest publication of new National Standard or endorsement of this EN (dop/e):	30 November 2020
Date of withdrawal of any conflicting National Standard (dow):	30 November 2021

Modal verbs terminology

In the present document "shall", "shall not", "should", "should not", "may", "need not", "will", "will not", "can" and "cannot" are to be interpreted as described in clause 3.2 of the [ETSI Drafting Rules](#) (Verbal forms for the expression of provisions).

"must" and "must not" are **NOT** allowed in ETSI deliverables except when used in direct citation.

Introduction

The present document provides the necessary limits and conformance requirements for radio receivers to meet the essential requirements of article 3.2 of Directive 2014/53/EU [i.1] for the AM sound broadcast service and is used with reference to ETSI EN 303 345-1 [1], which describes the generic requirements and test methods.

iTeh STANDARD PREVIEW
(standards.iteh.ai)
Full standard:
<https://standards.iteh.ai/catalog/standards/sist/2485a520-9a39-4949-8533-7a20e8b488f1/etsi-en-303-345-2-v1.1.1-2020-02>

1 Scope

The present document specifies the test signal configuration and the limits for sensitivity, selectivity and blocking for devices that receive AM broadcast sound services.

NOTE: The relationship between the present document and essential requirements of article 3.2 of Directive 2014/53/EU [i.1] is given in annex A.

2 References

2.1 Normative references

References are specific, identified by date of publication and/or edition number or version number. Only the cited version applies.

Referenced documents which are not found to be publicly available in the expected location might be found at <https://docbox.etsi.org/Reference/>.

NOTE: While any hyperlinks included in this clause were valid at the time of publication, ETSI cannot guarantee their long term validity.

The following referenced documents are necessary for the application of the present document.

- [1] ETSI EN 303 345-1 (V1.1.1) (06-2019): "Broadcast Sound Receivers; Part 1: Generic requirements and measuring methods".
- [2] Recommendation ITU-R BS.468-4 (07/1986): "Measurement of audio-frequency noise voltage level in sound broadcasting".
- [3] Recommendation ITU-R BS.559-2 (06/1990): "Objective measurement of radio-frequency protection ratios in LF, MF and HF broadcasting".

2.2 Informative references

References are either specific (identified by date of publication and/or edition number or version number) or non-specific. For specific references, only the cited version applies. For non-specific references, the latest version of the referenced document (including any amendments) applies.

NOTE: While any hyperlinks included in this clause were valid at the time of publication, ETSI cannot guarantee their long term validity.

The following referenced documents are not necessary for the application of the present document but they assist the user with regard to a particular subject area.

- [i.1] Directive 2014/53/EU of the European Parliament and of the Council of 16 April 2014 on the harmonisation of the laws of the Member States relating to the making available on the market of radio equipment and repealing Directive 1999/5/EC.
- [i.2] Commission Implementing Decision C(2015) 5376 final of 4.8.2015 on a standardisation request to the European Committee for Electrotechnical Standardisation and to the European Telecommunications Standards Institute as regards radio equipment in support of Directive 2014/53/EU of the European Parliament and of the Council.
- [i.3] ETSI TR 100 028 (all parts) (V1.4.1): "Electromagnetic compatibility and Radio spectrum Matters (ERM); Uncertainties in the measurement of mobile radio equipment characteristics".
- [i.4] ETSI TR 100 028-2 (V1.4.1): "Electromagnetic compatibility and Radio spectrum Matters (ERM); Uncertainties in the measurement of mobile radio equipment characteristics; Part 2".

- [i.5] Recommendation ITU-R BS.1615-1: "Planning parameters for digital sound broadcasting at frequencies below 30 MHz".
- [i.6] AES17: "AES standard method for digital audio engineering - Measurement of digital audio equipment".
- [i.7] ETSI EG 203 336 (V1.1.1) (08-2015): "Electromagnetic compatibility and Radio spectrum Matters (ERM); Guide for the selection of technical parameters for the production of Harmonised Standards covering article 3.1(b) and article 3.2 of Directive 2014/53/EU".
- [i.8] ITU GE75: "Final Acts of the Regional Administrative LF/MF Broadcasting Conference (Regions 1 and 3)".
- [i.9] Recommendation ITU-R BS.560-4 (10/1997): "Radio-frequency protection ratios in LF, MF and HF broadcasting".
- [i.10] Recommendation ITU-R SM.332-4 (07/1978): "Selectivity of Receivers".
- [i.11] CENELEC EN 55032:2015: "Electromagnetic compatibility of multimedia equipment - Emission Requirements".

3 Definition of terms, symbols and abbreviations

3.1 Terms

For the purposes of the present document, the terms given in Directive 2014/53/EU [i.1] and the following apply:

built-in antenna: antenna that cannot be detached from the equipment

crest factor: peak to rms voltage ratio

external antenna: antenna designed to be connected to the equipment with the use of a 50 Ω or 75 Ω external connector

integral antenna: antenna which is detachable from the equipment without the use of any tools, and not using a 50 Ω or 75 Ω external connector

NOTE: A device that uses a supplied earphone as the antenna has an integral antenna.

3.2 Symbols

For the purposes of the present document, the following symbols apply:

dBFS: decibels relative to Full Scale in accordance with AES17 [i.6]

dBm: decibels relative to 1 mW of power

dBQ: audio decibels after Recommendation ITU-R BS.468-4 [2] noise weighting and a quasi-peak detector have been applied

dB μ V/m: decibels relative to 1 μ V/m

3.3 Abbreviations

For the purposes of the present document, the following abbreviations apply:

ACS	Adjacent Channel Selectivity
ADC	Analogue to Digital Converter
AM	Amplitude Modulation
BS	Broadcast Sound
BW	BandWidth
DDC	Direct Digital Conversion
EFTA	European Free Trade Association
EMCD	ElectroMagnetic Compatibility Directive
EU	European Union
HF	High Frequency
IQ	In-phase and Quadrature
ITU-R	International Telecommunications Union - Radiocommunications sector
LF	Low Frequency
LO	Local Oscillator
MF	Medium Frequency
NZIF	Near-Zero Intermediate Frequency
PC	Personal Computer
RED	Radio Equipment Directive
RF	Radio Frequency
RMS	Root Mean Square
SNR	Signal to Noise Ratio
USB	Universal Serial Bus

4 Technical requirements specifications

4.1 Test signal configurations

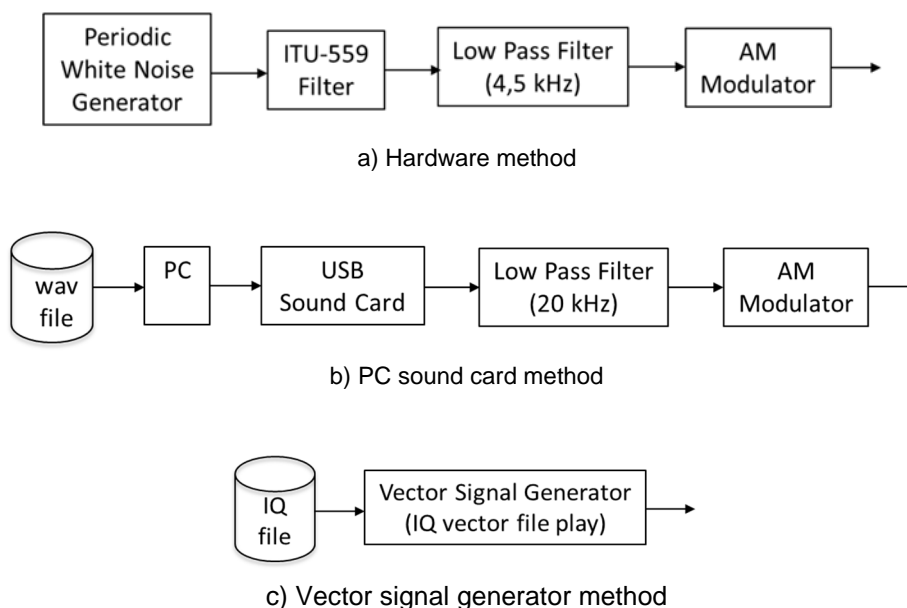
The generated AM signals (wanted, unwanted and blocking) shall be in accordance with table 1. The configuration is based on Recommendation ITU-R BS.1615-1 [i.5].

Table 1: AM configuration

Parameter	AM signals		
	Wanted	Unwanted	Blocking
Audio modulation	1 kHz tone	Weighted noise Recommendation ITU-R BS.559-2 [3], clause 1, band-limited to 4,5 kHz (see note 1)	1 kHz tone
Other modulation parameters	40 % depth	22,8 % RMS depth (see note 2)	80 % depth

NOTE 1: The filter shall have a cut-off frequency of 4,5 kHz and a minimum roll-off of 60 dB/octave.
NOTE 2: This is equivalent to a quasi-peak modulation depth of 50 %. The demodulated audio level will have the same quasi-peak value as that of a carrier with 50 % AM modulation depth modulated with a 1 kHz sinusoid.

The means of generating the noise modulation for the "unwanted" signal is shown in figure 1.



NOTE: In a), the low pass filter has a cut-off frequency of 4,5 kHz and a minimum roll-off of 60 dB/octave; in b), the low pass filter has a cut-off frequency of 20 kHz and a minimum roll-off of 40 dB/octave.

Figure 1: Example arrangements for generating the unwanted signal

Waveform files to produce the signals using either the PC sound card method or the vector signal generator method are contained in archive en_30334501v010101p0.zip which accompanies ETSI EN 303 345-1 [1]. For further details see annex B.

4.2 Sensitivity

4.2.1 Definition

The receiver sensitivity is the minimum wanted signal level required to provide a given level of audio quality.

4.2.2 Limits

The limits for sensitivity specified in table 2 shall apply. Each figure quoted is the required level of wanted signal which provides a given level of audio quality. The audio impairment criterion relevant for these tests is that the audio SNR ≥ 22 dBQ ref 40 % AM.

Table 2: AM sensitivity requirements

De-modulation	Tuned frequency band	Wanted signal centre frequency (MHz) (see note)	Required sensitivity limit	
			Conducted (dBm)	Radiated (dB μ V/m)
AM	LF	0,216	-65	74
	MF	0,999	-65	66
	HF	9,650	-65	60
NOTE:	If the receiver cannot be tuned to 9,650 MHz, the wanted signal centre frequency shall be set to the closest alternate from the following list: 3,980 MHz, 6,050 MHz, 7,330 MHz, 11,850 MHz, 13,720 MHz, 15,450 MHz, 17,690 MHz, 18,960 MHz, 21,650 MHz, 25,890 MHz.			