



Designation: F1336 – 07

Standard Specification for Poly(Vinyl Chloride) (PVC) Gasketed Sewer Fittings¹

This standard is issued under the fixed designation F1336; the number immediately following the designation indicates the year of original adoption or, in the case of revision, the year of last revision. A number in parentheses indicates the year of last reapproval. A superscript epsilon (ϵ) indicates an editorial change since the last revision or reapproval.

1. Scope

1.1 This specification covers requirements and test methods for fabricated or molded poly(vinyl chloride) (PVC) gasketed sewer fittings to be used with piping manufactured to Specifications D3034, F679, F891 or F1760. Fabricated fittings may be manufactured from pipe, or from a combination of pipe and injection molded parts, or from injection molded parts.

1.2 The requirements of this specification are to provide fabricated or molded PVC gasketed fittings suitable for non-pressure drainage of sewage and surface water, as well as applications involving subsurface drainage.

NOTE 1—Industrial waste lines should be installed only with the specific approval of the governing code authority when using chemicals not commonly found in drains and sewers or temperatures in excess of 140°F (60°C), or both.

1.3 Fittings produced to this specification are intended to be installed with pipe, in accordance with Practice D2321.

1.4 The values stated in inch-pound units are to be regarded as the standard. Within the text, the SI units are given in parentheses.

1.5 The following precautionary caveat pertains to the test method portion only, Section 10, of this specification. *This standard does not purport to address all of the safety concerns, if any, associated with its use. It is the responsibility of the user of this standard to establish appropriate safety and health practices and determine the applicability of regulatory limitations prior to use.*

2. Referenced Documents

2.1 ASTM Standards:²

- D618 Practice for Conditioning Plastics for Testing
- D1600 Terminology for Abbreviated Terms Relating to Plastics

¹ This specification is under the jurisdiction of ASTM Committee F17 on Plastic Piping Systems and is the direct responsibility of Subcommittee F17.62 on Sewer. Current edition approved May 1, 2007. Published May 2007. Originally approved in 1991. Last previous edition approved in 2002 as F1336 – 02. DOI: 10.1520/F1336-07.

² For referenced ASTM standards, visit the ASTM website, www.astm.org, or contact ASTM Customer Service at service@astm.org. For *Annual Book of ASTM Standards* volume information, refer to the standard's Document Summary page on the ASTM website.

- D1784 Specification for Rigid Poly(Vinyl Chloride) (PVC) Compounds and Chlorinated Poly(Vinyl Chloride) (CPVC) Compounds
- D2122 Test Method for Determining Dimensions of Thermoplastic Pipe and Fittings
- D2321 Practice for Underground Installation of Thermoplastic Pipe for Sewers and Other Gravity-Flow Applications
- D2444 Test Method for Determination of the Impact Resistance of Thermoplastic Pipe and Fittings by Means of a Tup (Falling Weight)
- D2564 Specification for Solvent Cements for Poly(Vinyl Chloride) (PVC) Plastic Piping Systems
- D2749 Symbols for Dimensions of Plastic Pipe Fittings
- D3034 Specification for Type PSM Poly(Vinyl Chloride) (PVC) Sewer Pipe and Fittings
- D3212 Specification for Joints for Drain and Sewer Plastic Pipes Using Flexible Elastomeric Seals
- D4396 Specification for Rigid Poly(Vinyl Chloride) (PVC) and Chlorinated Poly(Vinyl Chloride) (CPVC) Compounds for Plastic Pipe and Fittings Used in Nonpressure Applications (Withdrawn 2015)³
- F412 Terminology Relating to Plastic Piping Systems
- F477 Specification for Elastomeric Seals (Gaskets) for Joining Plastic Pipe
- F610/F610M Practice for Evaluating the Quality of Molded Poly(Vinyl Chloride) (PVC) Plastic Pipe Fittings by the Heat Reversion Technique
- F656 Specification for Primers for Use in Solvent Cement Joints of Poly(Vinyl Chloride) (PVC) Plastic Pipe and Fittings
- F679 Specification for Poly(Vinyl Chloride) (PVC) Large-Diameter Plastic Gravity Sewer Pipe and Fittings
- F891 Specification for Coextruded Poly(Vinyl Chloride) (PVC) Plastic Pipe With a Cellular Core
- F913 Specification for Thermoplastic Elastomeric Seals (Gaskets) for Joining Plastic Pipe
- F1760 Specification for Coextruded Poly(Vinyl Chloride) (PVC) Non-Pressure Plastic Pipe Having Reprocessed-Recycled Content

³ The last approved version of this historical standard is referenced on www.astm.org.

- 2.2 *Federal Standard:*
Fed. Std. No. 123 Marking for Shipment (Civil Agencies)⁴
- 2.3 *Military Standard:*
MIL-STD-129 Marking for Shipment and Storage⁴

3. Terminology

3.1 Definitions are in accordance with Terminology **F412** unless otherwise specified.

3.1.1 Abbreviations are in accordance with Terminology **D1600**, unless otherwise indicated. The abbreviation for poly-(vinyl chloride) plastic is PVC. The abbreviation for plastic sewer main is PSM.

4. Materials and Manufacture

4.1 *Basic Materials*—The pipe components for fabricated fittings shall be made from PVC compounds meeting the cell classifications indicated under the material section of the pipe standards referenced in 1.1. Molded components or fittings shall be made from virgin or rework PVC compound having a cell classification of 11432 or 12321 as prescribed in Specification **D4396** or 12454 or 13343 as prescribed in Specification **D1784**. Virgin or rework compounds that have different cell classifications because one or more properties exceed the minimum requirements of those specified compounds are also acceptable.

4.2 *Rework Material*—Clean rework material generated from the manufacturer’s own pipe, molded components, or fittings production may be used by the same manufacturer providing the rework material meets the requirements of 4.1 and that the pipe, molded components, or fittings produced meet all the requirements of this specification.

5. Miscellaneous Requirements

5.1 Gasketed Joining System:

⁴ Available from Standardization Documents Order Desk, Bldg. 4 Section D, 700 Robbins Ave., Philadelphia, PA 19111-5094, Attn: NPODS.

5.1.1 The assembled joint shall display no leakage when tested in accordance with the requirements of Specification **D3212**.

5.1.2 The joint assembly shall be in accordance with the fitting manufacturer’s recommendations. The end of the pipe or fitting spigot shall not damage or dislodge the gasket during insertion. Lubricant is required on the spigot and sometimes additionally on the gasket. All surfaces of the joint that make contact with the gasket shall be smooth and free of imperfections, ridges, fractures, or cracks that could adversely affect the seal.

5.1.3 The dimensions of the elastomeric gasket seal joints shall accommodate pipes and fitting spigots having the average outside diameters and tolerances detailed in **Table 1**.

5.2 Elastomeric Seal Components :

5.2.1 *Bells*—The dimensions shall be in accordance with the manufacturer’s standard design dimensions and tolerances.

5.2.2 *Gaskets*—The elastomeric seal (gasket) shall comply with the requirements of Specifications **F477** or **F913** at the time the fittings are manufactured.

5.3 *Lubricant*—The lubricant used for field assembly shall be the type recommended by the manufacturer of the gasketed joint.

5.4 *Fabrication Joint Material*—The fabrication joint material or reinforcing overlays shall be of that type, strength, and properties suitable for the intended fabrication. It is the decision of the manufacturer as to what material will be used. The PVC primer shall meet the requirements of Specification **F656**. The PVC solvent cement shall meet the requirements of Specification **D2564**.

5.5 *Over-Wrapped Fittings*—Fabricated fittings that have a reinforcing overlay of fiberglass and thermosetting resin shall meet all of the requirements of this specification except for 4.1 and 4.2.

TABLE 1 Dimensions and Tolerances

Nominal Size in. (mm)	Outside Diameter				Wall Thickness ^A					
	Average		Tolerance		SDR35		SDR26		DR23.5	
	in.	mm	in. ±	mm ±	in.	mm	in.	mm	in.	mm
4 (100)	4.215	107.06	±0.009	±0.23	0.120	3.05	0.162	4.11	0.178	4.52
5 (125)	5.640	143.26	±0.010	±0.25	0.161	4.09	0.217	5.51	0.265	6.73
6 (150)	6.275	159.39	±0.011	±0.28	0.180	4.57	0.241	6.13	-	-
8 (200)	8.400	213.36	±0.012	±0.30	0.240	6.10	0.323	8.20	-	-
10 (250)	10.500	266.70	±0.015	±0.38	0.300	7.62	0.404	10.26	-	-
12 (300)	12.500	317.50	±0.018	±0.46	0.360	9.14	0.481	12.22	-	-
15 (375)	15.300	388.62	±0.023	±0.58	0.437	11.10	0.588	14.94	-	-
18 (450)	18.700	474.98	±0.028	±0.71	0.536	13.61	0.719	18.26	-	-
21 (525)	22.047	559.99	±0.033	±0.84	0.632	16.05	0.848	21.54	-	-
24 (600)	24.803	630.00	±0.037	±0.94	0.711	18.06	0.954	24.23	-	-
27 (675)	27.953	710.01	±0.042	±1.07	0.801	20.35	1.075	27.31	-	-
30 (750)	31.496	800.00	±0.047	±1.19	-	-	0.903	22.94	-	-
33 (825)	35.433	900.00	±0.053	±1.35	-	-	1.016	25.81	-	-
36 (900)	39.370	1000.00	±0.059	±1.50	-	-	1.129	28.68	-	-
42 (1050)	44.500	1130.00	±0.060	±1.52	-	-	1.276	32.41	-	-
48 (1200)	50.800	1290.00	±0.075	±1.90	-	-	1.456	36.98	-	-

^A10 % variation resulting from a core shift or other processes is allowable; however, the average of the two opposite wall thickness shall equal or exceed the value shown in the table.

5.6 *Pipe Performance*—When pipe is used to fabricate a fitting, the pipe shall meet the requirements of the relevant ASTM standards.

5.7 *Waterway*—Fabricated fittings shall be constructed so that pipe ends do not project into the waterway of the fitting body.

6. Dimensions and Permissible Variations

6.1 *Diameter*—The average outside diameter of molded fitting spigots or of spigot pipe components for fabricated fittings shall meet the requirements given in Table 1 when measured in accordance with 10.1.1.

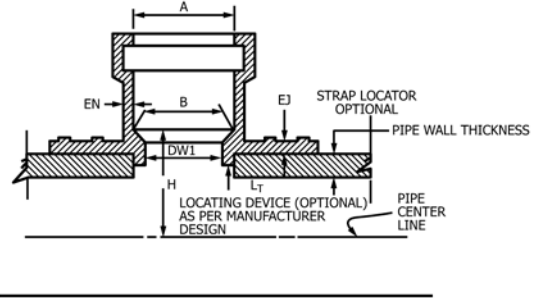
6.2 *Wall Thickness:*

6.2.1 *Fabricated Fittings*—Pipe wall thickness shall meet the requirements of the applicable specifications mentioned in the scope of this specification when measured in accordance with Test Method D2122 and 10.1.2, and shall have a minimum pipe stiffness of 46 psi. In the case of fittings fabricated from pipe sections, the thickness of the wall in the bell and the branch area shall be considered satisfactory if it was formed from pipe meeting those requirements.

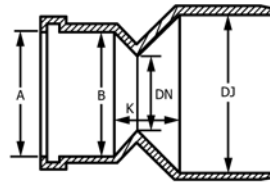
6.2.2 *Molded Fittings or Components*—The wall thickness of the waterway and socket or bell of molded fittings or components shall be no less than the respective minimum thickness indicated in Table 1. For reducing fittings or those with smaller inlets, the minimum wall thickness of each inlet shall be no less than the minimum wall thickness indicated in Table 1 for that nominal pipe size. The thickness shall be determined in accordance with Test Method D2122 and 10.1.2

NOTE 2—Refer to Fig. 1, Fig. 2, and Appendix XI for geometric configurations as illustrations of some of the fittings being produced. Consult the individual manufacturer for laying lengths.

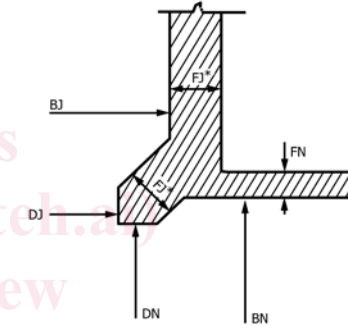
SADDLE TEE



REDUCER COUPLING



TEE

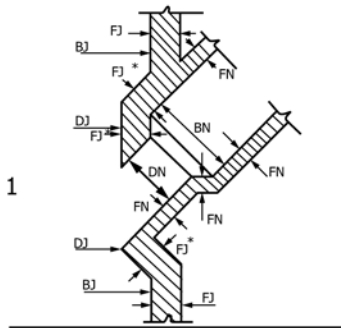


ASTM F1336-07

<https://standards.iteh.ai/catalog/standards/sist/d327880b-2947-4894-9430-075f38edcb58/astm-f1336-07>

WYES

EXAMPLE 1



EXAMPLE 2

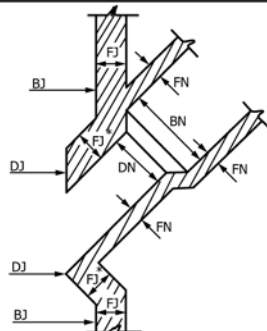
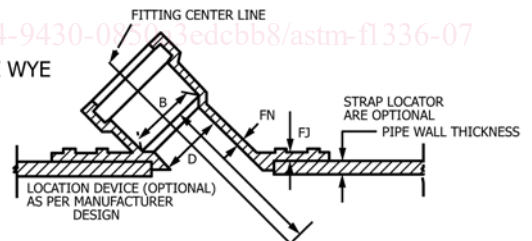


FIG. 1 Product Design Examples

SADDLE WYE



NOTE 1—The asterisk (*) in the examples indicates that the region beyond the intersection of the branch and the main body is considered a transition area and may vary based on individual manufacturers design.

NOTE 2—Dimensions are identified according to Symbols D2749. Consult the manufacturer for their actual values.

FIG. 2 Product Design Examples (continued)

6.3 *Socket Length*—The minimum distance from the center of the gasket to the bottom of the socket and the maximum distance from the center of the gasket to the outermost edge of fitting socket (see Fig. 3) shall comply with the dimensions given in Table 2 when measured in accordance with Test Method D2122 and 10.1.3.

6.4 *Spigot Length*—The minimum distance from the spigot end to the area where spigot diameter changes due to a socket,

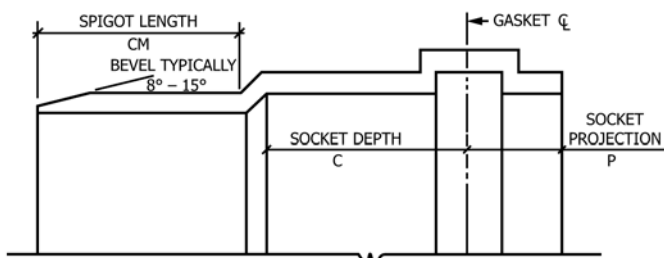


FIG. 3 Socket/Spigot Descriptions

TABLE 2 Socket and Spigot Dimensions^A

Nominal Size, in. (mm)	Socket		Spigot
	Depth, "C" min, in. (mm)	Projection, "P" max, in. (mm)	Length, "cm" min, in. (mm)
4 (100)	1.50 (38.1)	1.75 (44.5)	2.25 (57.1)
5 (125)	1.97 (50)	1.75 (44.5)	3.00 (76.2)
6 (150)	2.15 (54.6)	2.00 (50.8)	3.50 (88.9)
8 (200)	2.50 (63.5)	2.50 (63.5)	4.10 (104.1)
10 (250)	2.92 (74.2)	3.00 (76.2)	5.00 (127)
12 (300)	3.10 (78.7)	3.50 (88.9)	6.00 (152.4)
15 (375)	3.20 (81.3)	4.00 (101.6)	7.50 (190.5)
18 (450)	4.10 (104.1)	4.50 (114.3)	8.60 (218.4)
21 (525)	4.61 (117.1)	5.00 (127)	9.60 (244)
24 (600)	5.12 (130)	5.50 (139.7)	10.62 (269.7)
27 (675)	5.63 (143)	6.00 (152.4)	11.60 (294.6)
30 (750)	10.00 (254)	5.75 (146.1)	14.49 (368.0)
33 (825)	11.00 (279.4)	5.75 (146.1)	14.85 (377.2)
36 (900)	11.00 (279.4)	5.75 (146.1)	15.47 (392.9)
42 (1050)	12.00 (304.8)	5.75 (146.1)	16.50 (419.1)
48 (1200)	12.00 (304.8)	6.50 (165.1)	17.48 (444.0)

^ARefer to Fig. 3 as to location.

branch, or change in angle shall comply with the dimensions given in Table 2 when measured in accordance with 10.1.4.

7. Mechanical Properties

7.1 *Impact Strength*—The impact strength of tees, wyes, couplings, bends, increasers/reducers, and saddles shall be no less than the values given in Table 3, when tested in accordance with 10.2.

NOTE 3—This test is intended only for use as a quality control test; not

TABLE 3 Impact Strength

Fitting Size, in. (mm)	Impact Strength	
	ft-lbf	J
4 (100)	50	68
5 (125)	60	81
6 (150)	75	101
8 (200)	75	101
10 (250)	90	122
12 (300)	90	122
15 (375)	120	162
18 (450)	120	162
21 (525)	150	203
24 (600)	150	203
27 (675)	180	243
30 (750)	180	243
33 (825)	210	285
36 (900)	210	285
42 (1050)	240	325
48 (1200)	240	325

for use as a simulated service test.

7.2 *Pipe Stop Load Support*—Tee, tee-wye, or saddle tee shall support the load indicated in Table 4, when tested in accordance with 10.3.

NOTE 4—This test is intended only for use as a quality control test; not for use as a simulated service test.

7.3 *Internal Stress*—Molded components or fittings shall be tested in accordance with 10.4.

7.4 *Branch Bending*—The wye or tee branch of a fabricated fitting shall be subject to a load in accordance with 10.5.

NOTE 5—This is intended only for use as a quality control test; not for use as a simulated service test.

8. Workmanship, Finish, and Appearance

8.1 The fittings shall be homogeneous throughout and free from visible cracks, holes, foreign inclusions, or other injurious defects. The fittings shall be as uniform as commercially practical in color, opacity, density, and other physical properties.

9. Sampling and Conditioning

9.1 *Sampling*—The selection of fitting samples shall be as agreed upon between the purchaser and the seller. In case of no prior agreement, samples selected by the testing laboratory shall be deemed adequate.

9.2 Conditioning:

9.2.1 *Referee Testing*—The specimen shall be conditioned in accordance with Procedure A of Practice D618 at 73.4 ± 3.6°F (23 ± 2°C) and 50 ± 5 % relative humidity for not less than 40 h prior to test. Tests shall be conducted at the same conditions of temperature and humidity, unless otherwise specified.

9.2.2 *Quality Control Tests*—For quality control tests, the specimens shall be conditioned for a minimum of 4 h in air or 1 h in water at 73.4 ± 3.6°F (23 ± 2°C). The specimen shall be tested at 73.4 ± 3.6°F (23 ± 2°C) without regard to relative humidity.

TABLE 4 Pipe Stop Support

Branch Nominal Diameter, in. (mm)	Load	
	lb	kg
4 (100)	1320	599
5 (125)	1770	803
6 (150)	1970	894
8 (200)	2630	1193
10 (250)	3290	1492
12 (300)	3920	1778
15 (375)	4800	2177
18 (450)	5000	2268
21 (525)	5000	2268
24 (600)	5000	2268
27 (675)	5000	2268
30 (750)	5000	2268
33 (825)	5000	2268
36 (900)	5000	2268
42 (1050)	5000	2268
48 (1200)	5000	2268

10. Test Methods

10.1 Dimensions and Tolerances:

10.1.1 Diameter—The average outside diameter of a pipe or spigot component shall be measured in accordance with Test Method D2122. A measurement device accurate to 0.001 in. (0.02 mm) shall be used.

10.1.2 Wall Thickness—Wall thickness shall be measured in accordance with Test Method D2122. A measurement device accurate to 0.001 in. (0.02 mm) shall be used.

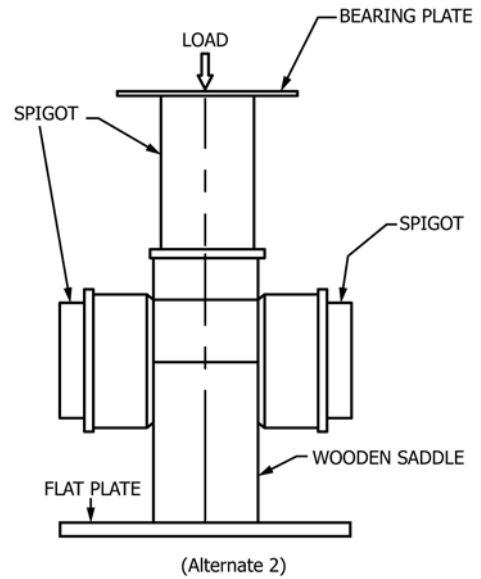
10.1.3 Socket Length—Socket length shall be measured in accordance with Test Method D2122. A steel rule, with at least 0.031-in. or 1-mm graduations shall be used. Refer to Fig. 3 for measuring locations.

10.1.4 Spigot Length—Spigot lengths shall be measured using a steel rule with at least 0.031-in. or 1-mm graduations. Refer to Fig. 3 for measuring locations.

10.2 Impact Strength—Determine in accordance with Test Method D2444, using a 20-lb (9.1-kg) Tup A for sizes 18 in. and smaller; 30-lb (13.6-kg) Tup A for sizes above 18 in. Flat Plate Holder B shall be used. Test six specimens at the impact levels shown in Table 3. Support with shim(s) one of the largest hub(s) under the bell and hit mid point between gasket groove and bottom of bell. Test conditions shall be in accordance with 9.2.1 or 9.2.2. Five of the six specimens shall pass. If two or more fail, test another six specimens. Nine passes out of twelve tested shall be acceptable.

10.3 Pipe Stop Load Support—A sample of a tee, tee-wye, or saddle tee shall be placed on Flat Plate Holder B, with the branch socket at 90° to the support surface. Reference Fig. 4 and Fig. 5, Alternates 1 or 2, for location of test fixtures and positioning of test sample. The use of a clamping rod is optional. A section of pipe at least 6 in. (152 mm) in length is placed in the upright lateral branch. Pipe sections shall mate into the main body of the fitting so to prevent excessive deflection under load. A load equal to that in Table 4 shall be placed on the upright section. There shall be no cracking or separation of the fitting, and the pipe spigot shall not protrude into the waterway of the fitting.

10.4 Internal Stress—Molded samples shall be tested in accordance with Test Method F610/F610M except the exposure time shall be a minimum of 30 min. The specimens shall be deemed to have failed if splitting, delamination, or weld line



NOTE 1—Chocks may be used for alignment if necessary.
FIG. 5 Load Support Apparatus (continued)

separation penetrates into the part more than 50 % of the wall thickness at the point of penetration.

10.5 Branch Bending:

10.5.1 Forty-Five Degree Wyes—The branch of a fabricated 45 degree wye fitting shall be subjected to a load as illustrated in Fig. 6 and Fig. 7 using suggested Alternates 1, 2 or 3. The load shall result in a minimum bending moment of 40.0 ft-lbf (54.23 Nm) per circumferential 1 in. (25 mm) of the branch diameter.

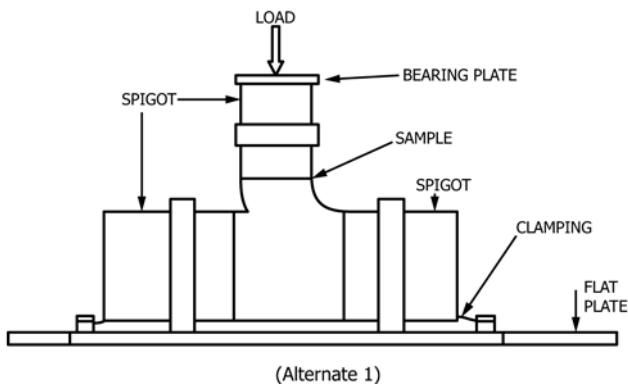
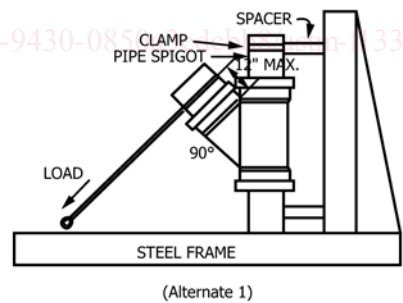
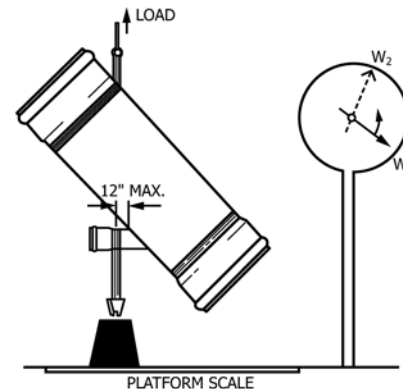


FIG. 4 Load Support Apparatus



(Alternate 1)



(Alternate 2)

FIG. 6 Branch Bending (Schematic Representation)

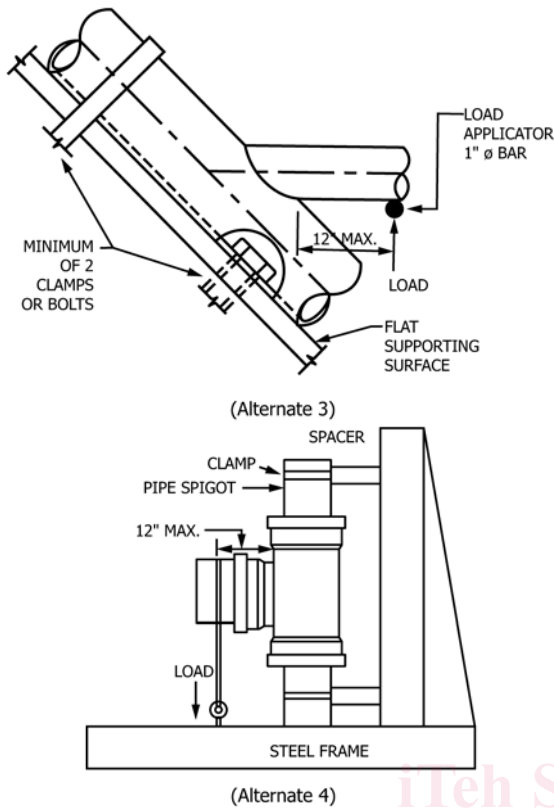


FIG. 7 Branch Bending (Schematic Representation)(continued)

10.5.2 *Tees*—The branch of a fabricated tee fitting shall be subjected to a load as illustrated in Fig. 7 using suggested Alternate 4. The procedure may be modified providing the resultant bending moment is the same as for wyes in 10.5.1.

NOTE 6—Fig. 6 and Fig. 7 indicate examples of setups for the branch bending test. A similar setup resulting in the required bending moment at the joint shall be acceptable.

11. Inspection

11.1 Inspection of the product shall be as agreed upon between the purchaser and the seller as part of the purchase contract.

11.2 Inspection by the purchaser shall not relieve the manufacturer of the responsibility of furnishing product meeting the requirements of this specification.

11.3 If purchaser inspection is specified, the manufacturer shall notify the purchaser in advance, as to the date, time, and place of testing the product so that the purchaser may be represented at the test.

11.4 The inspector shall have free access to those areas of the manufacturer’s plant that are involved in inspection and product testing to be performed under this specification. The

manufacturer shall provide the inspector with facilities for determining whether the product meets the requirements of this specification.

12. Rejection and Rehearing

12.1 If the results of any test(s) do not meet the requirements of this specification, the test(s) may be conducted again in accordance with an agreement between the purchaser and the seller. In retesting, the product requirements of this specification shall be met, and the test methods designated in this specification shall be followed. If upon retest, failure occurs, the quantity of product represented by the test(s) does not meet the requirements of this specification.

13. Certification

13.1 When agreed upon in writing between the purchaser and the manufacturer, a product certification shall be issued. This certificate shall indicate compliance with the provisions of this specification. Each certification furnished shall be signed by an authorized agent of the manufacturer.

14. Product Marking

14.1 Fittings in compliance with this specification shall be clearly marked as follows:

- 14.1.1 Manufacturer’s name or trademark,
- 14.1.2 Nominal size,
- 14.1.3 Material designation PVC,
- 14.1.4 This designation (ASTM F1336),
- 14.1.5 PSM or sewer, as applicable, and
- 14.1.6 Applicable code body approvals.

NOTE 7—The manufacturer’s production code as to day, month, year, plant location, and shift of manufacture is optional.

14.2 The markings or engravings shall be in such a manner that they remain legible during storage, transportation, and installation.

15. Packaging and Package Marking

15.1 All fittings shall be packaged and marked for standard commercial shipment, unless otherwise specified.

15.2 The manufacturer’s code as to day, month, year, and plant location shall be indicated.

16. Quality Assurance

16.1 *Quality Assurance*—When the product is marked with this designation, F1336, the manufacturer affirms that the product was manufactured, sampled, inspected, and tested in accordance with this specification and has been found to meet the requirements of this specification.

17. Keywords

- 17.1 fittings; gasketed; plastic; PVC; sewer