
**Welding consumables — Technical
delivery conditions for filler materials and
fluxes — Type of product, dimensions,
tolerances and markings**

*Produits consommables pour le soudage — Conditions techniques de
livraison des matériaux d'apport et des flux — Type de produit,
dimensions, tolérances et marquage*

iTeh STANDARD PREVIEW
(standards.iteh.ai)

ISO 544:2011

<https://standards.iteh.ai/catalog/standards/sist/379aa861-bc6e-4efb-9227-c6a2d681eb74/iso-544-2011>



PDF disclaimer

This PDF file may contain embedded typefaces. In accordance with Adobe's licensing policy, this file may be printed or viewed but shall not be edited unless the typefaces which are embedded are licensed to and installed on the computer performing the editing. In downloading this file, parties accept therein the responsibility of not infringing Adobe's licensing policy. The ISO Central Secretariat accepts no liability in this area.

Adobe is a trademark of Adobe Systems Incorporated.

Details of the software products used to create this PDF file can be found in the General Info relative to the file; the PDF-creation parameters were optimized for printing. Every care has been taken to ensure that the file is suitable for use by ISO member bodies. In the unlikely event that a problem relating to it is found, please inform the Central Secretariat at the address given below.

iTeh STANDARD PREVIEW
(standards.iteh.ai)

ISO 544:2011

<https://standards.iteh.ai/catalog/standards/sist/379aa861-bc6e-4efb-9227-c6a2d681eb74/iso-544-2011>



COPYRIGHT PROTECTED DOCUMENT

© ISO 2011

All rights reserved. Unless otherwise specified, no part of this publication may be reproduced or utilized in any form or by any means, electronic or mechanical, including photocopying and microfilm, without permission in writing from either ISO at the address below or ISO's member body in the country of the requester.

ISO copyright office
Case postale 56 • CH-1211 Geneva 20
Tel. + 41 22 749 01 11
Fax + 41 22 749 09 47
E-mail copyright@iso.org
Web www.iso.org

Published in Switzerland

Foreword

ISO (the International Organization for Standardization) is a worldwide federation of national standards bodies (ISO member bodies). The work of preparing International Standards is normally carried out through ISO technical committees. Each member body interested in a subject for which a technical committee has been established has the right to be represented on that committee. International organizations, governmental and non-governmental, in liaison with ISO, also take part in the work. ISO collaborates closely with the International Electrotechnical Commission (IEC) on all matters of electrotechnical standardization.

International Standards are drafted in accordance with the rules given in the ISO/IEC Directives, Part 2.

The main task of technical committees is to prepare International Standards. Draft International Standards adopted by the technical committees are circulated to the member bodies for voting. Publication as an International Standard requires approval by at least 75 % of the member bodies casting a vote.

Attention is drawn to the possibility that some of the elements of this document may be the subject of patent rights. ISO shall not be held responsible for identifying any or all such patent rights.

ISO 544 was prepared by Technical Committee ISO/TC 44, *Welding and allied processes*, Subcommittee SC 3, *Welding consumables*.

This fourth edition cancels and replaces the third edition (ISO 544:2003), which has been technically revised.

Requests for official interpretations of any aspect of this International Standard should be directed to the Secretariat of ISO/TC 44/SC 3 via your national standards body. A complete listing of these bodies can be found at www.iso.org.

iTeh STANDARD PREVIEW
(standards.iteh.ai)
ISO 544:2011
<https://standards.iteh.ai/catalog/standards/sist/379aa861-bc6e-4efb-9227-c6a2d681eb74/iso-544-2011>

iTeh STANDARD PREVIEW
(standards.iteh.ai)

ISO 544:2011

<https://standards.iteh.ai/catalog/standards/sist/379aa861-bc6e-4efb-9227-c6a2d681eb74/iso-544-2011>

Welding consumables — Technical delivery conditions for filler materials and fluxes — Type of product, dimensions, tolerances and markings

1 Scope

This International Standard specifies technical delivery conditions for filler materials and fluxes for fusion welding.

This International Standard does not apply to other auxiliary materials such as shielding gases.

2 Normative references

The following referenced documents are indispensable for the application of this document. For dated references, only the edition cited applies. For undated references, the latest edition of the referenced document (including any amendments) applies.

ISO 14174, *Welding consumables — Fluxes for submerged arc welding and electroslag welding — Classification*¹⁾

ISO 544:2011

ISO 14344, *Welding consumables — Procurement of filler materials and fluxes*

ISO 80000-1:2009, *Quantities and units — Part 1: General*

3 Product type and welding process

The types of products covered by this International Standard and the welding process(es) in which they are used are listed in Table 1.

NOTE The corresponding reference numbers for each welding process in accordance with ISO 4063:2009^[1] are given for information.

4 Dimensions and tolerances

4.1 Solid wires and solid wire electrodes, tubular cored wires and tubular cored electrodes, solid and tubular cored rods and covered electrodes

Dimensions and tolerances for solid wires and solid wire electrodes, tubular cored wires and tubular cored electrodes, solid and tubular cored rods and covered electrodes are given in Table 2.

1) To be published. (Revision of ISO 14174:2004)

Table 1 — Product type and welding process

| Product type | Welding process(es) ^a |
|-------------------------|----------------------------------|
| Cored strip electrode | EG, ES, S |
| Covered electrode | E |
| Solid rod | W, O, P |
| Solid strip electrode | ES, S |
| Solid wire | W, P, L, EB |
| Solid wire electrode | EG, ES, G, S |
| Tubular cored rod | W, O, P |
| Tubular cored wire | L, W |
| Tubular cored electrode | EG, ES, P, S, T |
| Thin foil | L, EB |

^a The corresponding reference numbers for each welding process in accordance with ISO 4063:2009^[1] are:

- E Manual metal arc welding (111);
- EB Electron beam welding (51);
- EG Electrode gas welding (73);
- ES Electroslag welding (72);
- G MIG/MAG welding with solid wire electrode (131, 135);
- L Laser welding (52);
- O Oxyfuel gas welding (31);
- P Plasma arc welding (15);
- S Submerged arc welding (12);
- T Metal arc welding with tubular cored electrode with a gas shield (132, 133, 136 and 138) or without a gas shield (114);
- W Gas tungsten arc welding (14).

4.2 Solid strip electrodes

Dimensions and tolerances for solid strip electrodes are given in Table 3.

4.3 Cored strip electrodes and thin foils

Dimensions and tolerances for cored strip electrodes and thin foils shall be in accordance with the relevant application standard.

Table 2 — Dimensions and tolerances for wires, rods, and covered electrodes

Dimensions in millimetres

| Nominal diameter | Solid wires and solid wire electrodes ^a | | Tubular cored wires and tubular cored electrodes ^a | | Solid and tubular cored rods ^a | | Covered electrodes ^{ab} | | | | | | |
|------------------|----------------------------------------------------|--|---------------------------------------------------------------|--|-------------------------------------------|--|----------------------------------|--|-----------------------|--|--|--|--|
| | S, ES, EG Diameter tolerance | | T, S, EG Diameter tolerance | | W, O, P Length tolerance | | E Diameter tolerance | | E Length tolerance | | | | |
| | G, W, L, EB Diameter tolerance | | | | | | Diameter of core wire | | | | | | |
| 0,5 | +0,01 -0,03 | | | | | | | | | | | | |
| 0,6 | | | | | | | | | | | | | |
| 0,8 | | | | | | | | | | | | | |
| 0,9 | | | | | | | | | | | | | |
| 1,0 | | | | | | | | | | | | | |
| 1,2 | | | | | | | | | | | | | |
| 1,4 | | | | | | | | | | | | | |
| 1,6 | +0,01 -0,04 | | | | | | | | | | | | |
| 1,8 | | | | | | | | | | | | | |
| 2,0 | | | | | | | | | | | | | |
| 2,4 | | | | | | | | | | | | | |
| 2,5 | | | | | | | | | | | | | |
| 2,8 | | | | | | | | | | | | | |
| 3,0 | +0,01 -0,07 | | | | | | | | | | | | |
| 3,2 | | | | | | | | | | | | | |
| 4,0 | | | | | | | | | | | | | |
| 5,0 | | | | | | | | | | | | | |
| 6,0 | | | | | | | | | | | | | |
| 8,0 | | | | | | | | | | | | | |

WEIDING PROCESS
<http://standards.iteh.ai/catalog/standards/sist/379aa861-bc6e-4efb-9227-c6a2d681eb74/iso-544-2011>
 ISO 544:2011
 500 ≤ l < 1 000
 ±5

^a Other dimensions may be agreed. For intermediate dimensions, tolerances given in this table shall be used.
^b Dimensions for the core wire.
^c For special cases (e.g. gravity welding), length, l < 1 000 mm.

Table 3 — Dimensions and tolerances for solid strip electrodes

| Parameter | Dimensions mm | Tolerances mm |
|-------------------|------------------|------------------|
| Nominal thickness | ≤1,0 | ±0,05 |
| Nominal width | ≤100 | +0,5 0 |
| | >100 | +0,8 0 |

4.4 Fluxes

The flux shall be granular and so constituted that it can be conveyed freely by the flux feed system. The particle size distribution shall be uniform and consistent in the different packaging units. The fluxes are obtainable in different particle size distributions (see ISO 14174).

5 Rounding procedure

For the purposes of determining compliance with the requirements of this International Standard, the actual test values obtained shall be subjected to ISO 80000-1:2009, B.3, Rule A. If the measured values are obtained by equipment calibrated in units other than those of this International Standard, the measured values shall be converted to the units of this International Standard before rounding. If an arithmetic average value is to be compared to the requirements of this International Standard, rounding shall be done only after calculating the arithmetic average. If the test method standard cited in Clause 2 contains instructions for rounding that conflict with the instructions of this International Standard, the rounding requirements of the test method standard shall apply. The rounded results shall fulfil the requirements of the appropriate table for the classification under test.

<https://standards.iteh.ai/catalog/standards/sist/379aa861-bc6e-4efb-9227-c6a2d681eb74/iso-544-2011>

6 Condition of welding consumables

6.1 Covered electrodes

The electrode covering shall be concentric and consistent along the electrode length in order to avoid asymmetrical melting-off of the covering during welding. The electrode covering shall not exhibit any irregularities, cracks or other surface defects which would adversely affect the welding operation. The coating shall firmly adhere to the core wire and shall not break off during proper handling and usage.

The grip end of the electrode shall be free from covering material over a length of at least 15 mm.

NOTE The striking end can include arc ignition enhancing material.

6.2 Wires, rods, and strips

The surface of the welding consumables shall be free from contamination and surface defects that can adversely affect welding. Any surface finish is allowed, provided that the welding operation and the properties of the weld metal are not adversely affected.

All tubular cored electrodes shall have the core ingredients distributed uniformly throughout their length such that the performance of the products, the chemical composition and the properties of the deposited weld metal are not adversely affected.

Wires and strips can be delivered in coils or wound on spools in accordance with Figure 1 and Table 4. Coils and spools shall not exhibit kinks, waves, sharp bends or other irregularities that could interfere with continuous feeding. The beginning and end of the wire, spooled in one length, shall be secured.

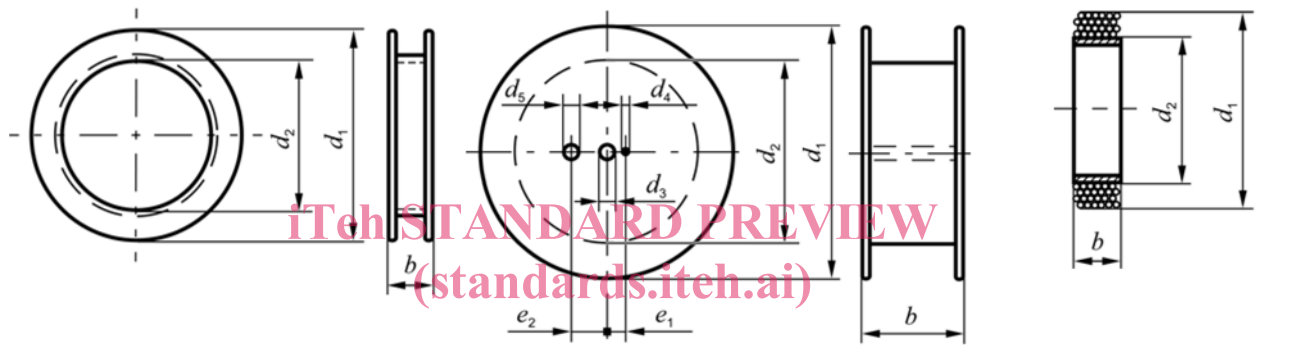
Welding consumables on coils without formers shall be tied in at least three places spaced approximately equally around the circumference of the coil.

Solid wires and solid wire electrodes for steel shall not exhibit a helix greater than specified in the next two paragraphs.

The helix is defined as the vertical separation between any part of one loop of wire placed on a flat surface without restraint and the flat surface. It shall not be more than 25 mm for spools having an outside diameter of up to 200 mm (S 200) and not more than 50 mm for spools having a diameter of more than 200 mm (see Table 4).

The cast (diameter of some loops of wire placed on a flat surface without restraint), helix and condition of all wires shall be such as to be suitable for uniform uninterrupted feeding on automatic or semi-automatic welding equipment.

Dimensions in millimetres

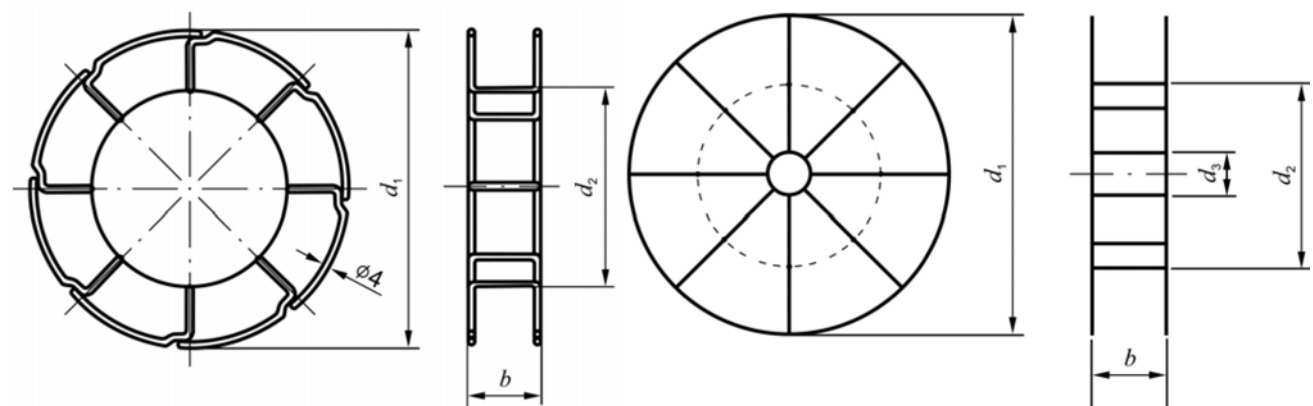


a) Rim (R)

b) Reel/spool (S)

c) Coil (C)

NOTE Reel/spool (S) may have two pinholes.



d) Basket rim (B)

e) Basket spool (BS)

Key

$b, d_1, d_2, d_3, d_4, d_5, e_1, e_2$ for definitions, see Table 4

Figure 1 — Reels, rims, spools and coils