



SLOVENSKI STANDARD

SIST ISO 16589-1:2014

01-marec-2014

Nadomešča:
SIST ISO 16589-1:2002

Fluidna tehnika - Ustnične gredne tesnilke s termoplastičnimi tesnilnimi elementi - 1. del: Nazivne mere in tolerance

Rotary shaft lip-type seals incorporating thermoplastic sealing elements - Part 1: Nominal dimensions and tolerances

iTeh STANDARD PREVIEW (standards.iteh.ai)

Bagues d'étanchéité à lèvres pour arbres tournants incorporant des éléments d'étanchéité thermoplastiques - Partie 1: Dimensions nominales et tolérances

<https://standards.iteh.ai/catalog/standards/sist/91f36d76-c0d0-47f8-a006-dac91c87f5bb/sist-iso-16589-1-2014>

Ta slovenski standard je istoveten z: **ISO 16589-1:2011**

ICS:

23.100.60	Filtri, tesnila in onesnaževanje tekočin	Filters, seals and contamination of fluids
-----------	--	--

SIST ISO 16589-1:2014

en,fr

iTeh STANDARD PREVIEW
(standards.iteh.ai)

[SIST ISO 16589-1:2014](#)

<https://standards.iteh.ai/catalog/standards/sist/91f36d76-c0d0-47f8-a006-dac91c87f5bb/sist-iso-16589-1-2014>

INTERNATIONAL
STANDARD

ISO
16589-1

Second edition
2011-04-15

**Rotary shaft lip-type seals incorporating
thermoplastic sealing elements —**

**Part 1:
Nominal dimensions and tolerances**

*Bagues d'étanchéité à lèvres pour arbres tournants incorporant des
éléments d'étanchéité thermoplastiques —*

Partie 1: Dimensions nominales et tolérances

iTeh STANDARD PREVIEW
(standards.iteh.ai)

[SIST ISO 16589-1:2014](https://standards.iteh.ai/catalog/standards/sist/91f36d76-c0d0-47f8-a006-dac91c87f5bb/sist-iso-16589-1-2014)

<https://standards.iteh.ai/catalog/standards/sist/91f36d76-c0d0-47f8-a006-dac91c87f5bb/sist-iso-16589-1-2014>



Reference number
ISO 16589-1:2011(E)

© ISO 2011

iTeh STANDARD PREVIEW (standards.iteh.ai)

SIST ISO 16589-1:2014

<https://standards.iteh.ai/catalog/standards/sist/91f36d76-c0d0-47f8-a006-dac91c87f5bb/sist-iso-16589-1-2014>



COPYRIGHT PROTECTED DOCUMENT

© ISO 2011

All rights reserved. Unless otherwise specified, no part of this publication may be reproduced or utilized in any form or by any means, electronic or mechanical, including photocopying and microfilm, without permission in writing from either ISO at the address below or ISO's member body in the country of the requester.

ISO copyright office
Case postale 56 • CH-1211 Geneva 20
Tel. + 41 22 749 01 11
Fax + 41 22 749 09 47
E-mail copyright@iso.org
Web www.iso.org

Published in Switzerland

Contents

Page

Foreword	iv
Introduction.....	v
1 Scope.....	1
2 Normative references.....	1
3 Terms and definitions	1
4 Symbols.....	1
5 Seal types and examples.....	2
5.1 Seal outside diameter construction	2
5.2 Sealing lip arrangements.....	2
6 Pressure and nominal dimensions.....	3
6.1 Pressure	3
6.2 Nominal dimensions	3
7 Shafts.....	4
7.1 Shaft ends	4
7.2 Diametral tolerance	5
7.3 Surface roughness and hardness	5
7.3.1 Surface roughness	5
7.3.2 Surface hardness	6
8 Housings	6
8.1 Dimensions	6
8.2 Housing bore tolerance	7
8.3 Housing bore surface roughness	7
9 Seal tolerances	7
9.1 Seal width.....	7
9.2 Seal outside diameter	7
10 Size identification code.....	8
11 Identification statement (Reference to this part of ISO 16589).....	9
Annex A (informative) Seal specification	10
Bibliography.....	13

ISO 16589-1:2011(E)

Foreword

ISO (the International Organization for Standardization) is a worldwide federation of national standards bodies (ISO member bodies). The work of preparing International Standards is normally carried out through ISO technical committees. Each member body interested in a subject for which a technical committee has been established has the right to be represented on that committee. International organizations, governmental and non-governmental, in liaison with ISO, also take part in the work. ISO collaborates closely with the International Electrotechnical Commission (IEC) on all matters of electrotechnical standardization.

International Standards are drafted in accordance with the rules given in the ISO/IEC Directives, Part 2.

The main task of technical committees is to prepare International Standards. Draft International Standards adopted by the technical committees are circulated to the member bodies for voting. Publication as an International Standard requires approval by at least 75 % of the member bodies casting a vote.

Attention is drawn to the possibility that some of the elements of this document may be the subject of patent rights. ISO shall not be held responsible for identifying any or all such patent rights.

ISO 16589-1 was prepared by Technical Committee ISO/TC 131, *Fluid power systems*, Subcommittee SC 7, *Sealing devices*.

This second edition cancels and replaces the first edition (ISO 16589-1:2001), which has been technically revised.

ISO 16589 consists of the following parts, under the general title *Rotary shaft lip-type seals incorporating thermoplastic sealing elements*:

- *Part 1: Nominal dimensions and tolerances*
- *Part 2: Vocabulary*
- *Part 3: Storage, handling and installation*
- *Part 4: Performance test procedures*
- *Part 5: Identification of visual imperfections*

iTeh STANDARD PREVIEW
(standards.iteh.ai)

SIST ISO 16589-1:2014
<https://standards.iteh.ai/catalog/standards/sist/91f36d76-c0d0-47f8-a006-dac91c87f5bb/sist-iso-16589-1-2014>

Introduction

Rotary shaft lip-type seals are used to retain fluid in equipment where the differential pressure is relatively low. Typically, the shaft rotates and the housing is stationary, although in some applications the shaft is stationary and the housing rotates.

Dynamic sealing is normally the result of a designed interference fit between the shaft and a flexible element incorporated in the seal.

Similarly, a designed interference fit between the outside diameter of the seal and the diameter of the housing bore retains the seal and prevents static leakage.

Careful storage and handling and proper installation of all seals are necessary to avoid hazards, both prior to and during installation, which would adversely affect service life.

iTeh STANDARD PREVIEW (standards.iteh.ai)

[SIST ISO 16589-1:2014](https://standards.iteh.ai/catalog/standards/sist/91f36d76-c0d0-47f8-a006-dac91c87f5bb/sist-iso-16589-1-2014)

<https://standards.iteh.ai/catalog/standards/sist/91f36d76-c0d0-47f8-a006-dac91c87f5bb/sist-iso-16589-1-2014>

iTeh STANDARD PREVIEW
(standards.iteh.ai)

[SIST ISO 16589-1:2014](#)

<https://standards.iteh.ai/catalog/standards/sist/91f36d76-c0d0-47f8-a006-dac91c87f5bb/sist-iso-16589-1-2014>

Rotary shaft lip-type seals incorporating thermoplastic sealing elements —

Part 1: Nominal dimensions and tolerances

1 Scope

ISO 16589 specifies seals utilizing sealing elements manufactured from suitably formulated compounds based on thermoplastic materials, such as polytetrafluoroethylene (PTFE). They are considered suitable for use under low pressure conditions.

This part of ISO 16589 shows seal types and examples. It also specifies the nominal dimensions and tolerance of the seals, shafts and housings, as well as a dimensional identification code.

NOTE ISO 16589 is complementary to ISO 6194, which covers seals incorporating elastomeric sealing elements.

2 Normative references

The following referenced documents are indispensable for the application of this document. For dated references, only the edition cited applies. For undated references, the latest edition of the referenced document (including any amendments) applies.

ISO 286-2, *Geometrical product specifications (GPS) — ISO code system for tolerances on linear sizes — Part 2: Tables of standard tolerance classes and limit deviations for holes and shafts*

ISO 5598, *Fluid power systems and components — Vocabulary*

ISO 16589-2, *Rotary shaft lip-type seals incorporating thermoplastic sealing elements — Part 2: Vocabulary*

3 Terms and definitions

For the purposes of this document, the terms and definitions given in ISO 5598 and ISO 16589-2 apply.

4 Symbols

- a housing bore depth
- b nominal seal width
- c housing bore chamfer length
- d_m minor diameter at the shaft lead-in chamfer
- D_1 nominal diameter of the shaft to be used with the seal

ISO 16589-1:2011(E)

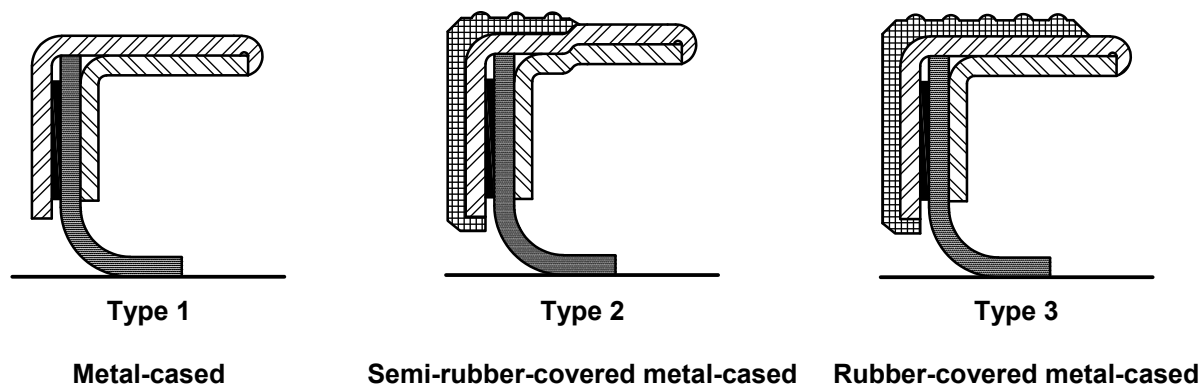
D_2 nominal diameter of the housing bore and of the outer diameter of the seal

r housing bore corner radius

5 Seal types and examples

5.1 Seal outside diameter construction

Figure 1 shows three basic types of seal outside diameter construction.



NOTE Because of some variations in design details, or seals made by different manufacturers, the constructions shown are intended only to be representative of the basic types.

Figure 1 — Three basic types of outside diameter construction

<https://standards.iteh.ai/catalog/standards/sist/91b36d76-c0d0-47f8-a006-dac91c87f5bb/sist-iso-16589-1-2014>

5.2 Sealing lip arrangements

Some examples of sealing lip arrangements are shown in Figure 2.

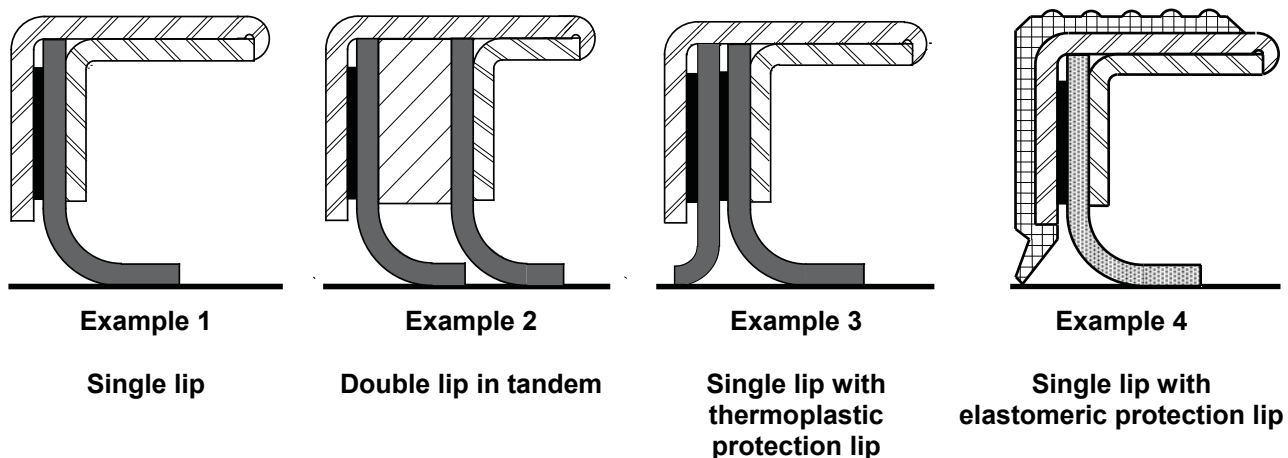


Figure 2 — Sealing lip arrangements

The sealing lip arrangements shown in Figure 2 can be used with each seal outside diameter construction shown in Figure 1.

Hydrodynamic aids on the main lip may be incorporated by some manufacturers in certain applications.

The design of the sealing lip should be agreed between the manufacturer and purchaser.

NOTE Because of variations in design detail, or seals made by different manufacturers, the constructions shown are intended only as representative examples of the basic types.

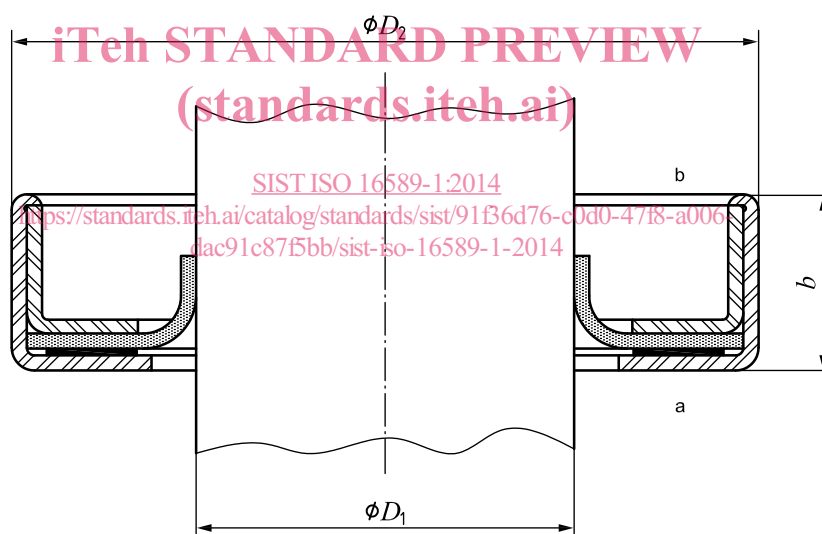
6 Pressure and nominal dimensions

6.1 Pressure

Seals of this type are normally used with atmospheric pressure on the air side, and sealing fluids at pressures from 0 kPa to 30 kPa (0,3 bar) above atmospheric pressure. The user should consult the seal manufacturer regarding use at other pressures.

6.2 Nominal dimensions

The nominal dimensions of the seals are shown in Figure 3 and given in Table 1.



Key

- b nominal seal width
- D_1 nominal diameter of the shaft to be used with the seal
- D_2 nominal diameter of the housing bore and seal outside diameter
- a Air side.
- b Fluid side.

Figure 3 — Seal