



**SLOVENSKI STANDARD**  
**SIST ISO 16589-5:2014**

**01-marec-2014**

**Nadomešča:**  
**SIST ISO 16589-5:2002**

---

**Fluidna tehnika - Ustnične gredne tesnilke s termoplastičnimi tesnilnimi elementi -  
5. del: Prepoznavanje vidnih nepravilnosti**

Rotary shaft lip-type seals incorporating thermoplastic sealing elements - Part 5:  
Identification of visual imperfections

**iTeh STANDARD PREVIEW**  
**(standards.iteh.ai)**

Bagues d'étanchéité à lèvres pour arbres tournants incorporant des éléments  
d'étanchéité thermoplastiques - Partie 5: Identification des imperfections visuelles

<https://standards.iteh.ai/catalog/standards/sist/1d05536d-5b8a-4b7e-a682-25a5ba979e08/sist-iso-16589-5-2014>

**Ta slovenski standard je istoveten z: ISO 16589-5:2011**

---

**ICS:**

23.100.60	Filtri, tesnila in onesnaževanje tekočin	Filters, seals and contamination of fluids
-----------	---	---

**SIST ISO 16589-5:2014**

**en,fr**

**iTeh STANDARD PREVIEW**  
**(standards.iteh.ai)**

[SIST ISO 16589-5:2014](#)

<https://standards.iteh.ai/catalog/standards/sist/1d05536d-5b8a-4b7e-a682-25a5ba979e08/sist-iso-16589-5-2014>

INTERNATIONAL  
STANDARD

ISO  
16589-5

Second edition  
2011-04-15

---

---

**Rotary shaft lip-type seals incorporating  
thermoplastic sealing elements —**

**Part 5:  
Identification of visual imperfections**

*Bagues d'étanchéité à lèvres pour arbres tournants incorporant des  
éléments d'étanchéité thermoplastiques —*

*Partie 5: Identification des imperfections visuelles*

iTeh STANDARD PREVIEW  
(standards.iteh.ai)

[SIST ISO 16589-5:2014](https://standards.iteh.ai/catalog/standards/sist/1d05536d-5b8a-4b7e-a682-25a5ba979e08/sist-iso-16589-5-2014)

<https://standards.iteh.ai/catalog/standards/sist/1d05536d-5b8a-4b7e-a682-25a5ba979e08/sist-iso-16589-5-2014>



Reference number  
ISO 16589-5:2011(E)

© ISO 2011

## iTeh STANDARD PREVIEW (standards.iteh.ai)

SIST ISO 16589-5:2014

<https://standards.iteh.ai/catalog/standards/sist/1d05536d-5b8a-4b7e-a682-25a5ba979e08/sist-iso-16589-5-2014>



### **COPYRIGHT PROTECTED DOCUMENT**

© ISO 2011

All rights reserved. Unless otherwise specified, no part of this publication may be reproduced or utilized in any form or by any means, electronic or mechanical, including photocopying and microfilm, without permission in writing from either ISO at the address below or ISO's member body in the country of the requester.

ISO copyright office  
Case postale 56 • CH-1211 Geneva 20  
Tel. + 41 22 749 01 11  
Fax + 41 22 749 09 47  
E-mail [copyright@iso.org](mailto:copyright@iso.org)  
Web [www.iso.org](http://www.iso.org)

Published in Switzerland

**Contents**

Page

Foreword .....	iv
Introduction.....	v
1 Scope.....	1
2 Normative references.....	1
3 Terms and definitions .....	1
4 Characteristic imperfections .....	1
4.1 Definition of sealing lip critical area.....	1
4.2 Type and name of imperfections .....	1
4.3 Visual imperfections on seals with additional components .....	2
4.3.1 Outer circumference portion.....	2
4.3.2 Protection lip.....	2
5 Identification statement (Reference to this part of ISO 16589).....	2
Bibliography.....	14

**iTeh STANDARD PREVIEW**  
**(standards.iteh.ai)**

[SIST ISO 16589-5:2014](https://standards.iteh.ai/catalog/standards/sist/1d05536d-5b8a-4b7e-a682-25a5ba979e08/sist-iso-16589-5-2014)

<https://standards.iteh.ai/catalog/standards/sist/1d05536d-5b8a-4b7e-a682-25a5ba979e08/sist-iso-16589-5-2014>

## ISO 16589-5:2011(E)

## Foreword

ISO (the International Organization for Standardization) is a worldwide federation of national standards bodies (ISO member bodies). The work of preparing International Standards is normally carried out through ISO technical committees. Each member body interested in a subject for which a technical committee has been established has the right to be represented on that committee. International organizations, governmental and non-governmental, in liaison with ISO, also take part in the work. ISO collaborates closely with the International Electrotechnical Commission (IEC) on all matters of electrotechnical standardization.

International Standards are drafted in accordance with the rules given in the ISO/IEC Directives, Part 2.

The main task of technical committees is to prepare International Standards. Draft International Standards adopted by the technical committees are circulated to the member bodies for voting. Publication as an International Standard requires approval by at least 75 % of the member bodies casting a vote.

Attention is drawn to the possibility that some of the elements of this document may be the subject of patent rights. ISO shall not be held responsible for identifying any or all such patent rights.

ISO 16589-5 was prepared by Technical Committee ISO/TC 131, *Fluid power systems*, Subcommittee SC 7, *Sealing devices*.

This second edition cancels and replaces the first edition (ISO 16589-5:2001), which has been technically revised.

ISO 16589 consists of the following parts, under the general title *Rotary shaft lip-type seals incorporating thermoplastic sealing elements*:

- *Part 1: Nominal dimensions and tolerances*
- *Part 2: Vocabulary*
- *Part 3: Storage, handling and installation*
- *Part 4: Performance test procedures*
- *Part 5: Identification of visual imperfections*

iTeh STANDARD PREVIEW  
(standards.iteh.ai)

[SIST ISO 16589-5:2014  
https://standards.iteh.ai/catalog/standards/sist/1d05536d-5b8a-4b7e-a682-25a5ba979e08/sist-iso-16589-5-2014](https://standards.iteh.ai/catalog/standards/sist/1d05536d-5b8a-4b7e-a682-25a5ba979e08/sist-iso-16589-5-2014)

## Introduction

Rotary shaft lip-type seals are used to retain fluid in equipment where the differential pressure is relatively low. Typically, the shaft rotates and the housing is stationary, although in some applications the shaft is stationary and the housing rotates.

Dynamic sealing is normally the result of a designed interference fit between the shaft and a flexible element incorporated in the seal.

Similarly, a designed interference fit between the outside diameter of the seal and the diameter of the housing bore retains the seal and prevents static leakage.

Careful storage and handling and proper installation of all seals are necessary to avoid hazards, both prior to and during installation, which would adversely affect service life.

## iTeh STANDARD PREVIEW (standards.iteh.ai)

[SIST ISO 16589-5:2014](https://standards.iteh.ai/catalog/standards/sist/1d05536d-5b8a-4b7e-a682-25a5ba979e08/sist-iso-16589-5-2014)

<https://standards.iteh.ai/catalog/standards/sist/1d05536d-5b8a-4b7e-a682-25a5ba979e08/sist-iso-16589-5-2014>

**iTeh STANDARD PREVIEW**  
**(standards.iteh.ai)**

[SIST ISO 16589-5:2014](#)

<https://standards.iteh.ai/catalog/standards/sist/1d05536d-5b8a-4b7e-a682-25a5ba979e08/sist-iso-16589-5-2014>



# Rotary shaft lip-type seals incorporating thermoplastic sealing elements —

## Part 5: Identification of visual imperfections

### 1 Scope

ISO 16589 specifies seals utilizing sealing elements manufactured from suitably formulated compounds based on thermoplastic materials, such as polytetrafluoroethylene (PTFE). They are considered suitable for use under low pressure conditions.

This part of ISO 16589 defines and classifies typical surface imperfections that could impair the function of the seals, and is intended as a convenience for purchasers and manufacturers in their discussions concerning the importance of these imperfections in different applications.

NOTE ISO 16589 is complementary to ISO 6194, which covers seals incorporating elastomeric sealing elements.

**iTeh STANDARD PREVIEW**  
(standards.iteh.ai)

### 2 Normative references

[SIST ISO 16589-5:2014](https://standards.iteh.ai/catalog/standards/sist/1d05536d-5b8a-4b7e-a682-22a5ba799c09/sist-iso-16589-5-2014)

The following referenced documents are indispensable for the application of this document. For dated references, only the edition cited applies. For undated references, the latest edition of the referenced document (including any amendments) applies.

ISO 5598, *Fluid power systems and components — Vocabulary*

ISO 16589-2, *Rotary shaft lip-type seals incorporating thermoplastic sealing elements — Part 2: Vocabulary*

### 3 Terms and definitions

For the purposes of this document, the terms and definitions given in ISO 5598 and ISO 16589-2 apply.

### 4 Characteristic imperfections

#### 4.1 Definition of sealing lip critical area

The sealing lip critical area is defined in Figure 1.

#### 4.2 Type and name of imperfections

Some typical imperfections are shown in Figures 2 to 20, and listed in Tables 1 and 2.

**ISO 16589-5:2011(E)****4.3 Visual imperfections on seals with additional components****4.3.1 Outer circumference portion**

The imperfections on the outer circumference portion are the following:

- a) scratch;
- b) incorrect chamfer;
- c) incomplete bond.

**4.3.2 Protection lip**

The imperfections on the protection lip are the following:

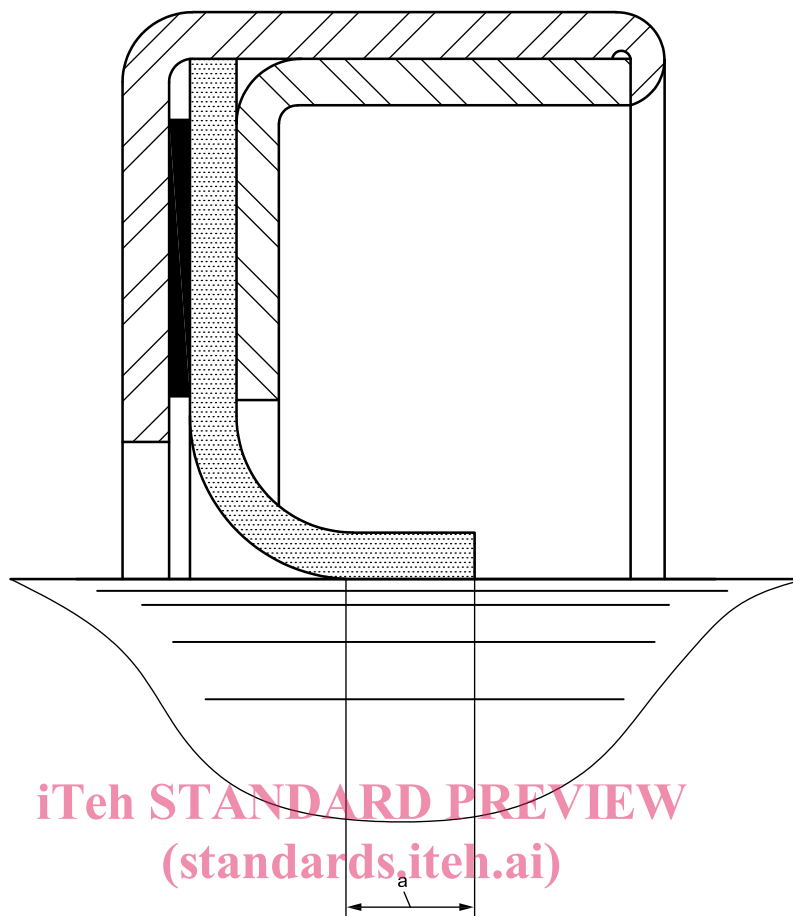
- a) tear;
- b) cut or nick;
- c) non-fill;
- d) flash.

**iTeh STANDARD PREVIEW**  
**(standards.iteh.ai)**

**5 Identification statement** (Reference to this part of ISO 16589)

Manufacturers are strongly recommended to use the following statement in test reports, catalogues and sales literature when electing to comply with this part of ISO 16589:

<https://standards.iteh.ai/catalog/standards/sist/1d05536d-5b8a-4b7e-a682-2a214972000/sist-iso-16589-5-2014>  
“Visual imperfection identification is in accordance with ISO 16589-5, *Rotary shaft lip-type seals incorporating thermoplastic sealing elements — Part 5: Identification of visual imperfections.*”



SIST ISO 16589-5:2014

<sup>a</sup> Sealing lip critical area. [standards.iteh.ai/catalog/standards/sist/1d05536d-5b8a-4b7e-a682-25a5ba979e08/sist-iso-16589-5-2014](https://standards.iteh.ai/catalog/standards/sist/1d05536d-5b8a-4b7e-a682-25a5ba979e08/sist-iso-16589-5-2014)

NOTE In cases of wear, imperfections in the sealing lip critical area can impair the function of the rotary shaft lip-type seal during its lifetime. This dimension can vary according to the design standards of individual manufacturers.

**Figure 1 — Sealing lip critical area**