
**Metallic powders — Determination
of flowrate by means of a calibrated
funnel (Gustavsson flowmeter)**

*Poudres métalliques — Détermination du temps d'écoulement au
moyen d'un entonnoir calibré (cône d'écoulement de Gustavsson)*

iTeh STANDARD PREVIEW
(standards.iteh.ai)

[ISO 13517:2013](https://standards.iteh.ai/catalog/standards/sist/213a69fc-485e-4d05-80a2-4d7af46d6e87/iso-13517-2013)

<https://standards.iteh.ai/catalog/standards/sist/213a69fc-485e-4d05-80a2-4d7af46d6e87/iso-13517-2013>



iTeh STANDARD PREVIEW
(standards.iteh.ai)

ISO 13517:2013

<https://standards.iteh.ai/catalog/standards/sist/213a69fc-485e-4d05-80a2-4d7af46d6e87/iso-13517-2013>



COPYRIGHT PROTECTED DOCUMENT

© ISO 2013

All rights reserved. Unless otherwise specified, no part of this publication may be reproduced or utilized otherwise in any form or by any means, electronic or mechanical, including photocopying, or posting on the internet or an intranet, without prior written permission. Permission can be requested from either ISO at the address below or ISO's member body in the country of the requester.

ISO copyright office
Case postale 56 • CH-1211 Geneva 20
Tel. + 41 22 749 01 11
Fax + 41 22 749 09 47
E-mail copyright@iso.org
Web www.iso.org

Published in Switzerland

Contents

	Page
Foreword	iv
1 Scope	1
2 Principle	1
3 Apparatus	1
4 Calibration of the funnel	2
4.1 Calibration by the manufacturer of the funnel	2
4.2 Calibration by the user of the funnel	3
5 Sampling	3
6 Procedure	3
7 Expression of results	4
8 Precision	4
9 Test report	5
Bibliography	6

iTeh STANDARD PREVIEW (standards.iteh.ai)

ISO 13517:2013

<https://standards.iteh.ai/catalog/standards/sist/213a69fc-485e-4d05-80a2-4d7af46d6e87/iso-13517-2013>

Foreword

ISO (the International Organization for Standardization) is a worldwide federation of national standards bodies (ISO member bodies). The work of preparing International Standards is normally carried out through ISO technical committees. Each member body interested in a subject for which a technical committee has been established has the right to be represented on that committee. International organizations, governmental and non-governmental, in liaison with ISO, also take part in the work. ISO collaborates closely with the International Electrotechnical Commission (IEC) on all matters of electrotechnical standardization.

International Standards are drafted in accordance with the rules given in the ISO/IEC Directives, Part 2.

The main task of technical committees is to prepare International Standards. Draft International Standards adopted by the technical committees are circulated to the member bodies for voting. Publication as an International Standard requires approval by at least 75 % of the member bodies casting a vote.

Attention is drawn to the possibility that some of the elements of this document may be the subject of patent rights. ISO shall not be held responsible for identifying any or all such patent rights.

ISO 13517 was prepared by Technical Committee ISO/TC 119, *Powder metallurgy*, Subcommittee SC 2, *Sampling and testing methods for powders (including powders for hardmetals)*.

iTeh STANDARD PREVIEW (standards.iteh.ai)

[ISO 13517:2013](https://standards.iteh.ai/catalog/standards/sist/213a69fc-485e-4d05-80a2-4d7af46d6e87/iso-13517-2013)

<https://standards.iteh.ai/catalog/standards/sist/213a69fc-485e-4d05-80a2-4d7af46d6e87/iso-13517-2013>

Metallic powders — Determination of flowrate by means of a calibrated funnel (Gustavsson flowmeter)

1 Scope

This International Standard specifies a method for determining the flow rate of metallic powders, including powders for hardmetals and mixes of metallic powders and organic additives such as lubricants, by means of a calibrated funnel (Gustavsson flowmeter).

The method is applicable only to powders which flow freely through the specified test orifice.

2 Principle

Measurement of the time required for 50 g of a metallic powder to flow through the orifice of a calibrated funnel of standardized dimensions.

3 Apparatus

3.1 Calibrated funnel, with the dimensions shown in [Figure 1](#) (see [Clause 4](#)). The dimensions shown for the flowmeter funnel, including the orifice, are not to be considered controlling factors. Calibration with emery, as specified in [Clause 4](#), determines the working flow rate of the funnel.

The funnel shall be made of a non-magnetic, corrosion-resistant metallic material with sufficient wall thickness and hardness to withstand distortion and excessive wear.¹⁾

3.2 Stand and horizontal vibration-free base, to support the funnel rigidly, e.g. as indicated in [Figure 2](#)¹⁾.

3.3 Balance, of sufficient capacity, capable of weighing the test portion to an accuracy of $\pm 0,05$ g.

3.4 Stopwatch, capable of measuring the elapsed time to an accuracy of $\pm 0,1$ s.

3.5 Chinese emery grit, a reference powder used for calibration of the funnel.¹⁾

1) Apparatus complying with 3.1 and 3.2, and standard Chinese emery grit can be purchased from ACuPowder International, LLC, 901 Lehigh Avenue, Union, NJ 07083, USA. This information is given for the convenience of users of this International Standard and does not constitute an endorsement by ISO of the company named above. Equivalent products may be used if they can be shown to lead to the same results.

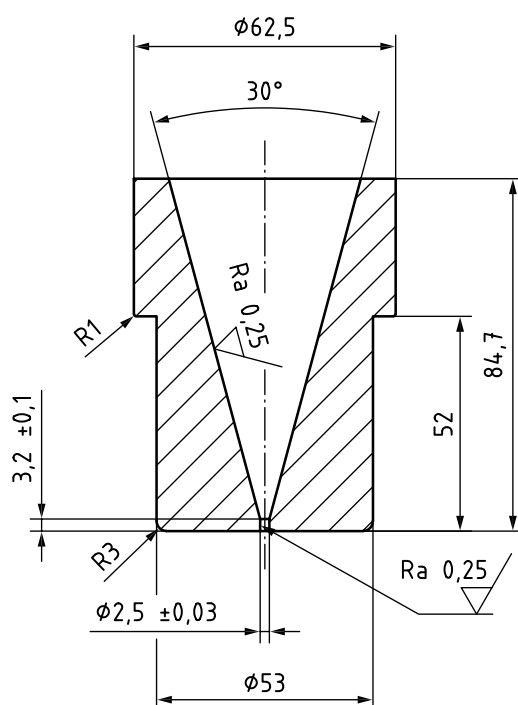


Figure 1 — Calibrated funnel (Gustavsson flow meter)

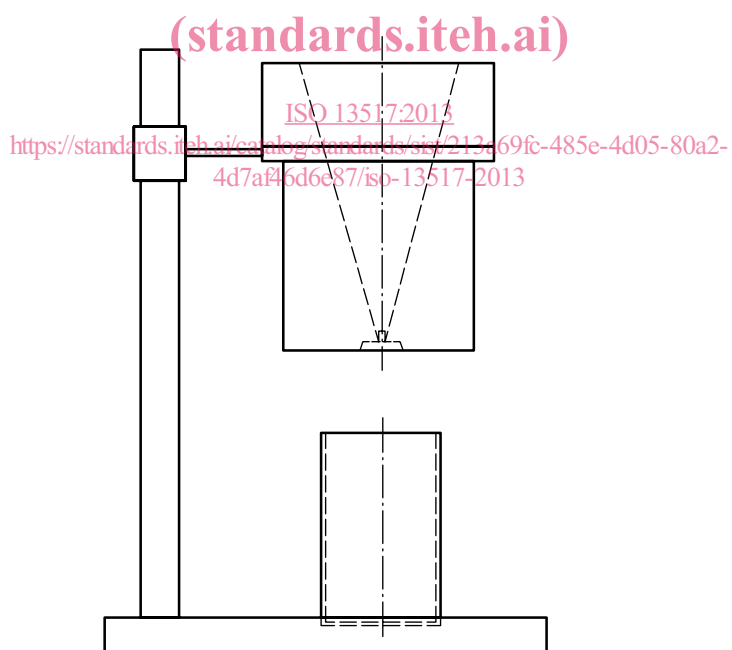


Figure 2 — Arrangement of calibrated funnel and stand

4 Calibration of the funnel

4.1 Calibration by the manufacturer of the funnel

The manufacturer shall supply the flowmeter calibrated as follows:

- Dry the Chinese emery grit (3.5) in an open and clean glass jar at 110°C for 60 min in air;

- b) Cool the emery to room temperature in a desiccator;
- c) Weigh out 50 g of the emery grit;
- d) Follow the procedure outlined in [Clause 6](#);
- e) Repeat the procedure with the same 50 g mass of emery, until there are five determinations within 0,4 s;
- f) The average of these five determinations is stamped on the bottom of the funnel and shall be within $40,0 \pm 0,5$ s.

The Chinese emery is sensitive to humidity and the instructions should therefore be followed carefully.

4.2 Calibration by the user of the funnel

The flow rate of the reference sample shall be determined by the above method. If the flow rate has changed to be outside $40,0 \pm 0,5$ s, a correction factor must be used when measuring different powders. This correction factor is obtained by dividing 40,0 by this new value for the Chinese emery grit.

It is recommended that the users periodically verify whether a correction is needed or not.

It is recommended that, before a correction factor is adopted, the cause of the change be investigated. If the flow rate has decreased, it is probable that repeated use has burnished the orifice and a (new) correction factor is justified. An increase in flow rate may indicate a coating of soft powder on the orifice. This coating should be carefully removed and the calibration test repeated.

It is recommended that the use of a funnel be discontinued after the duration of flow of the reference sample has decreased to less than 37 s.

5 Sampling

ISO 13517:2013

<https://standards.iteh.ai/catalog/standards/sist/213a69fc-485e-4d05-80a2->

5.1 The mass of the test sample shall be at least 200 g.

5.2 In general, the powder shall be tested in the as-received condition. In certain cases, and after agreement between the supplier and user, the powder may be dried. However, if the powder is susceptible to oxidation, the drying shall take place in a vacuum or in inert gas. If the powder contains volatile substances, it shall not be dried.

5.3 Immediately before the test, weigh out a $50 \pm 0,1$ g test portion.

5.4 Alternatively, a test portion of 90 to 110 g can be sampled and weighed to a precision of $\pm 0,1$ g or better.

5.5 The determination shall be carried out on three test portions.

NOTE The intention of the alternative execution according to [5.4](#) is to facilitate full automation of measurement of flow and apparent density of powders.

6 Procedure

Transfer the test portion to the funnel, keeping the discharge orifice closed by a dry finger. Take care that the stem of the funnel is filled with powder. Start the stopwatch ([3.4](#)) when the orifice is opened and stop it at the instant when the last of the powder leaves the orifice. Record the elapsed time measured to the nearest 0,1 s.

Alternatively, the orifice can be kept open, when the test portion is transferred to the funnel with the rest of the procedure being the same.

NOTE If the powder does not begin to flow when the orifice is opened, one slight tap on the funnel to start the flow is permitted. If this has no effect, or if the flow stops during the test, the powder is considered to possess no flowability according to the test method described in this International Standard.

7 Expression of results

Calculate the arithmetic mean of the results of the three determinations and report the value in seconds per 50 g, rounded to the nearest second.

If the alternative size of the test portion according to 5.4 is applied, the result of each determination shall, before the calculation of the arithmetic mean of the results, be divided by the mass of the sample and then be multiplied by 50 g. The result is thus recalculated in seconds per 50 g.

If a correction factor (see 4.2) should be used, the average shall be multiplied by this correction factor.

8 Precision

Two plain iron powders and four iron or bronze powder mixes were included in the inter-laboratory study to develop this precision statement. Compositions of the mixes are presented in Table 1.

Table 1 — Mix compositions of powder included in the inter-laboratory study

Designation	Mix composition
Plain iron powder 1	Plain atomized iron powder
Plain iron powder 2	Plain sponge iron powder
Iron powder mix 1	Atomized iron powder + 0,8 % Graphite + 0,8 % Amide wax
Bronze powder mix	Bronze powder + 0,375 % Stearic acid + 0,375 % Zinc stearate
Iron powder mix 2	Atomized iron powder + 2 % Ni powder + 0,8 % Graphite + 0,8 % Amide wax
Iron powder mix 3	Atomized iron powder + 0,8 % Graphite + 0,8 % Zinc stearate

In Table 2 the repeatability and reproducibility are presented as one standard deviation.

Table 2 — Repeatability and reproducibility as standard deviations

Tested powder	Level (average flow time)	Repeatability standard deviation s_r	Reproducibility standard deviation s_R
Plain iron powder 1	25 s	0,3 s	0,6 s
Plain iron powder 2	32 s	0,5 s	0,7 s
Iron powder mix 1	48 s	1,1 s	2,2 s
Bronze powder mix	45 s	2,6 s	3,2 s
Iron powder mix 2	56 s	1,0 s	2,0 s
Iron powder mix 3	60 s	0,8 s	4,7 s

The difference between two test results found on identical test material by one operator using the same apparatus within the shortest feasible time interval will exceed the repeatability limit (r), see Table 3, on average not more than once in 20 cases in the normal and correct operation of the method.

Test results on identical test material reported by two laboratories will differ by more than the reproducibility limit (R), see Table 3, on average not more than once in 20 cases in the normal and correct operation of the method.

Table 3 — Repeatability and reproducibility, difference between two tests at 95 % probability level

Tested powder	Level (average flow time)	Repeatability limit <i>r</i>	Reproducibility limit <i>R</i>
Plain iron powder 1	25 s	0,9 s	1,8 s
Plain iron powder 2	32 s	1,3 s	2,0 s
Iron powder mix 1	48 s	3,0 s	6,2 s
Bronze powder mix	45 s	7,3 s	9,0 s
Iron powder mix 2	56 s	2,7 s	5,7 s
Iron powder mix 3	60 s	2,2 s	13,1 s

The accuracy data were determined from an experiment organized and analysed in accordance with ISO 5725-2 in 2011 involving 17 laboratories and 6 levels. Data from none of the laboratories contained outliers.

9 Test report

The test report shall include the following information:

- a) a reference to this International Standard, i.e. ISO 13517:2013;
- b) all details for identification of the test sample;
- c) the result obtained;
- d) the use of an open orifice;
- e) all operations not specified by this International Standard, or regarded as optional (e.g. the drying procedure applied and whether flow has been induced by tapping the funnel);
- f) details of any occurrence which may have affected the result.