
**Fluid power systems and components —
Cylinder-rod wiper-ring housings
in reciprocating applications —
Dimensions and tolerances**

*Transmissions hydrauliques et pneumatiques — Logements de joints
racleurs pour tiges de piston à mouvement linéaire de vérins —
Dimensions et tolérances*

iTeh STANDARD PREVIEW
(standards.iteh.ai)

[ISO 6195:2013](https://standards.iteh.ai/catalog/standards/sist/c1cb281c-b214-4c9f-b743-7a60f413f34a/iso-6195-2013)

<https://standards.iteh.ai/catalog/standards/sist/c1cb281c-b214-4c9f-b743-7a60f413f34a/iso-6195-2013>



iTeh STANDARD PREVIEW
(standards.iteh.ai)

ISO 6195:2013

<https://standards.iteh.ai/catalog/standards/sist/c1cb281c-b214-4c9f-b743-7a60f413f34a/iso-6195-2013>



COPYRIGHT PROTECTED DOCUMENT

© ISO 2013

All rights reserved. Unless otherwise specified, no part of this publication may be reproduced or utilized otherwise in any form or by any means, electronic or mechanical, including photocopying, or posting on the internet or an intranet, without prior written permission. Permission can be requested from either ISO at the address below or ISO's member body in the country of the requester.

ISO copyright office
Case postale 56 • CH-1211 Geneva 20
Tel. + 41 22 749 01 11
Fax + 41 22 749 09 47
E-mail copyright@iso.org
Web www.iso.org

Published in Switzerland

Contents

Page

Foreword.....	iv
Introduction.....	v
1 Scope.....	1
2 Normative references.....	2
3 Terms and definitions.....	2
4 Letter symbols.....	2
5 General.....	3
6 Requirements for housings.....	3
6.1 Type A housing.....	3
6.2 Type B housing.....	5
6.3 Type C housing.....	7
6.4 Type D housing.....	9
6.5 Type E housing.....	12
7 Other requirements regarding dimensions.....	14
8 Surface roughness.....	14
9 Identification statement (reference to this International Standard).....	15
Bibliography.....	16

iTeh STANDARD PREVIEW
(standards.iteh.ai)

[ISO 6195:2013](https://standards.iteh.ai/catalog/standards/sist/c1cb281c-b214-4c9f-b743-7a60f413f34a/iso-6195-2013)

<https://standards.iteh.ai/catalog/standards/sist/c1cb281c-b214-4c9f-b743-7a60f413f34a/iso-6195-2013>

Foreword

ISO (the International Organization for Standardization) is a worldwide federation of national standards bodies (ISO member bodies). The work of preparing International Standards is normally carried out through ISO technical committees. Each member body interested in a subject for which a technical committee has been established has the right to be represented on that committee. International organizations, governmental and non-governmental, in liaison with ISO, also take part in the work. ISO collaborates closely with the International Electrotechnical Commission (IEC) on all matters of electrotechnical standardization.

International Standards are drafted in accordance with the rules given in the ISO/IEC Directives, Part 2.

The main task of technical committees is to prepare International Standards. Draft International Standards adopted by the technical committees are circulated to the member bodies for voting. Publication as an International Standard requires approval by at least 75 % of the member bodies casting a vote.

Attention is drawn to the possibility that some of the elements of this document may be the subject of patent rights. ISO shall not be held responsible for identifying any or all such patent rights.

ISO 6195 was prepared by Technical Committee ISO/TC 131, *Fluid power systems*, Subcommittee SC 7, *Sealing devices*.

This third edition cancels and replaces the second edition (ISO 6195:2002), which has been technically revised. The most important change is the addition of an additional type of housing design: Type E housing is specified in [6.5](#).

ITEH STANDARD PREVIEW
(standards.iteh.ai)

[ISO 6195:2013](#)

<https://standards.iteh.ai/catalog/standards/sist/c1cb281c-b214-4c9f-b743-7a60f413f34a/iso-6195-2013>

Introduction

In fluid power systems, power is transmitted and controlled through a fluid (liquid or gas) under pressure within an enclosed circuit. Wiper rings are used to prevent ingress of contaminants and thereby to protect the seals and bearings within the equipment.

This International Standard is one of a series of standards covering the dimensions and tolerances of housings.

iTeh STANDARD PREVIEW (standards.iteh.ai)

[ISO 6195:2013](https://standards.iteh.ai/catalog/standards/sist/c1cb281c-b214-4c9f-b743-7a60f413f34a/iso-6195-2013)

<https://standards.iteh.ai/catalog/standards/sist/c1cb281c-b214-4c9f-b743-7a60f413f34a/iso-6195-2013>

iTeh STANDARD PREVIEW
(standards.iteh.ai)

ISO 6195:2013

<https://standards.iteh.ai/catalog/standards/sist/c1cb281c-b214-4c9f-b743-7a60f413f34a/iso-6195-2013>

Fluid power systems and components — Cylinder-rod wiper-ring housings in reciprocating applications — Dimensions and tolerances

1 Scope

This International Standard specifies dimensions and tolerances of housings for wiper rings used in reciprocating rod applications for fluid power cylinders. The range of rod diameters is from 4 mm to 360 mm.

This International Standard is applicable to the following five housing designs.

- Type A: recessed housings with undercut or separate cover to retain elastomeric wipers.
- Type B: open recessed housings for wipers with integral rigid enforcement, that are press-fit in the housing.
- Type C: recessed housings with undercut to retain elastomeric wipers (these are the preferred housings for double lip wipers without integral rigid enforcement).
- Type D: recessed housings with undercut to retain elastomer-energized, plastic-faced wipers.
- Type E: recessed housings with undercut or separate cover to retain elastomeric wipers (these are the preferred housings for single lip wipers without integral rigid enforcement).

These housing designs are intended for use with the wiper rings according to [Figure 1](#).

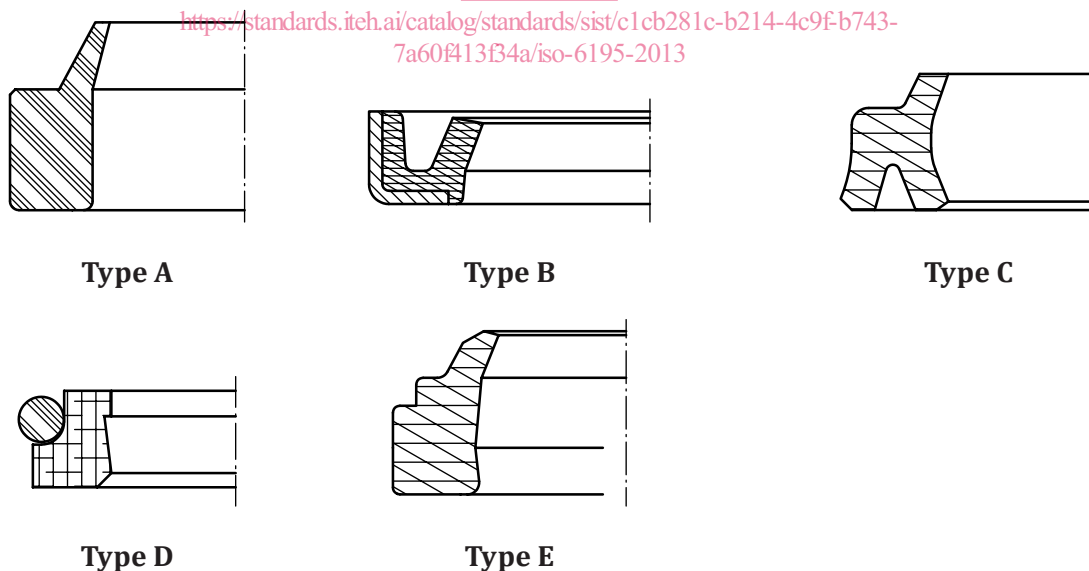


Figure 1 — Types of wiper rings

This International Standard does not otherwise specify the style, configurations, materials, or performance ratings for the wiper ring.

2 Normative references

The following referenced documents are indispensable for the application of this document. For dated references, only the edition cited applies. For undated references, the latest edition of the referenced document (including any amendments) applies.

- ISO 883, *Indexable hardmetal (carbide) inserts with rounded corners, without fixing hole — Dimensions*
- ISO 3320, *Fluid power systems and components— Cylinder bores and piston rod diameters— Metric series*
- ISO 5597, *Hydraulic fluid power — Cylinders — Dimensions and tolerances of housings for single-acting piston and rod seals in reciprocating applications*
- ISO 5598, *Fluid power systems and components — Vocabulary*
- ISO 6020-1, *Hydraulic fluid power — Mounting dimensions for single rod cylinders, 16 MPa (160 bar) series — Part 1: Medium series*
- ISO 6020-2, *Hydraulic fluid power — Mounting dimensions for single rod cylinders, 16 MPa (160 bar) series — Part 2: Compact series*
- ISO 6020-3, *Hydraulic fluid power — Mounting dimensions for single rod cylinders, 16 MPa (160 bar) series — Part 3: Compact series with bores from 250 mm to 500 mm*
- ISO 6022, *Hydraulic fluid power — Mounting dimensions for single rod cylinders, 25 MPa (250 bar) series*
- ISO 10762, *Hydraulic fluid power — Cylinder mounting dimensions — 10 MPa (100 bar) series*

3 Terms and definitions

For the purposes of this document, the terms and definitions given in ISO 5598 apply.

4 Letter symbols

The letter symbols used in this International Standard are as follows:

d	rod diameter
D_1	outside diameter of wiper housing
D_2	retainer diameter
C	axial length of the lead-in chamfer
L_1	axial length of the wiper housing
L_2	maximum wiper assembly length
L_3	retainer width
$S = \frac{D_1 - d}{2}$	radial depth (cross-section) of the housing
r	radius
a	roughness of the side surface of the wiper housing

- b* roughness of the surface of the wiper housing bore
- e* roughness of the rod
- f* roughness of the leading chamfer

5 General

The wiper ring manufacturer should be consulted on the suitability of a particular type of wiper ring for the application.

Sharp edges and burrs shall be removed from corners of supporting surfaces and rounded.

Surface finishes have a significant impact on the performance and lifetime of the wipers. Recommended surface finishes are shown in [Figures 2 to 6](#) (see also [Clause 8](#) for surface roughness recommendations).

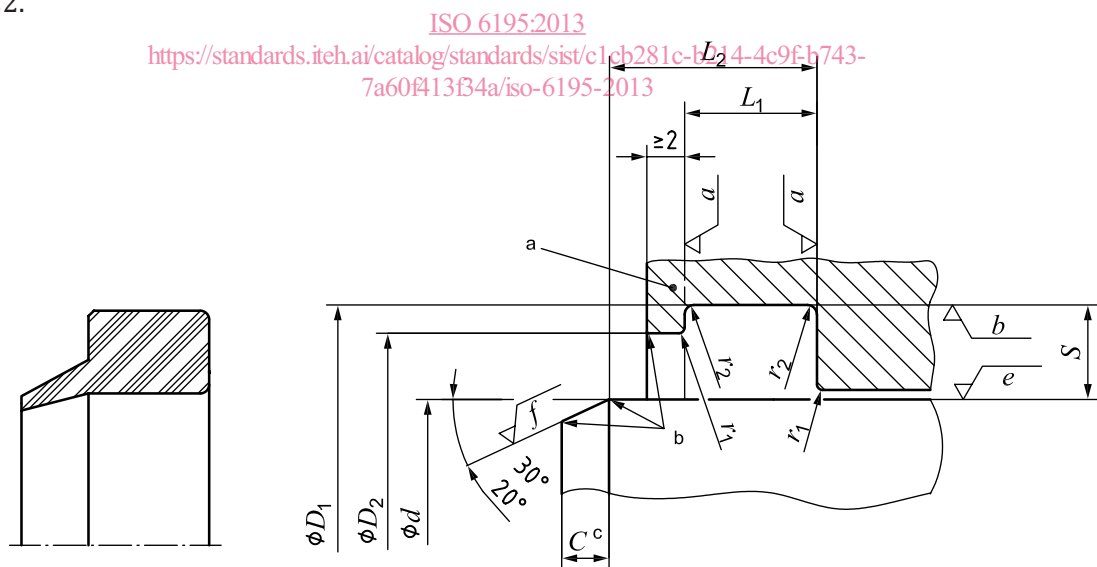
6 Requirements for housings

6.1 Type A housing

6.1.1 Type A housing and a typical wiper ring are shown in [Figure 2](#).

6.1.2 Type A housing dimensions and tolerances shall conform to [Table 1](#).

6.1.3 Type A wiper rings are recommended for use with cylinders conforming to ISO 6020-1 and to ISO 6022.



Key

- a May be integral or with separate retaining plate.
- b Rounded and burr free.
- c See [Table 6](#) for dimensions.

Figure 2 — Type A wiper housing and typical wiper ring

Dimensions in millimetres

Table 1 — Dimensions for type A wiper housings

Dimensions in millimetres

Rod diameter ^{a, b}	Radial depth	Outside diameter	Axial length	Wiper assembly length	Retainer diameter	Retainer radius	Radius
d	S	D_1 H11 ^d	L_1	L_2 max.	D_2 H11 ^d	r_1 max.	r_2 ^c max.
4	4,0	12	5,0 ^{+0,2} ₀	8	9,5	0,3	0,5
5		13			10,5		
6		14			11,5		
8		16			13,5		
10		18			15,5		
12		20			17,5		
14		22			19,5		
16		24			21,5		
18		26			23,5		
20		28			25,5		
22		30			27,5		
25		33			30,5		
28		36			33,5		
32		40			37,5		
36		44			41,5		
40	48	45,5					
45	53	50,5					
50	58	55,5					
56	5,0	66	6,3 ^{+0,2} ₀	10	63	0,4	
63		73			70		
70		80			77		
80		90			87		
90		100			97		
100	7,5	115	9,5 ^{+0,3} ₀	14	110	0,6	
110		125			120		
125		140			135		
140		155			150		
160		175			170		
180		195			190		
200		215			210		
220	10,0	240	12,5 ^{+0,3} ₀	18	233,5	0,8	0,9
250		270			263,5		
280		300			293,5		
320		340			333,5		
360		380			373,5		

^a See ISO 3320 and ISO 5597.

^b One-piece housings can be used with rod diameters greater than 14 mm.

^c These specific dimensions permit the use of tools conforming to ISO 883.

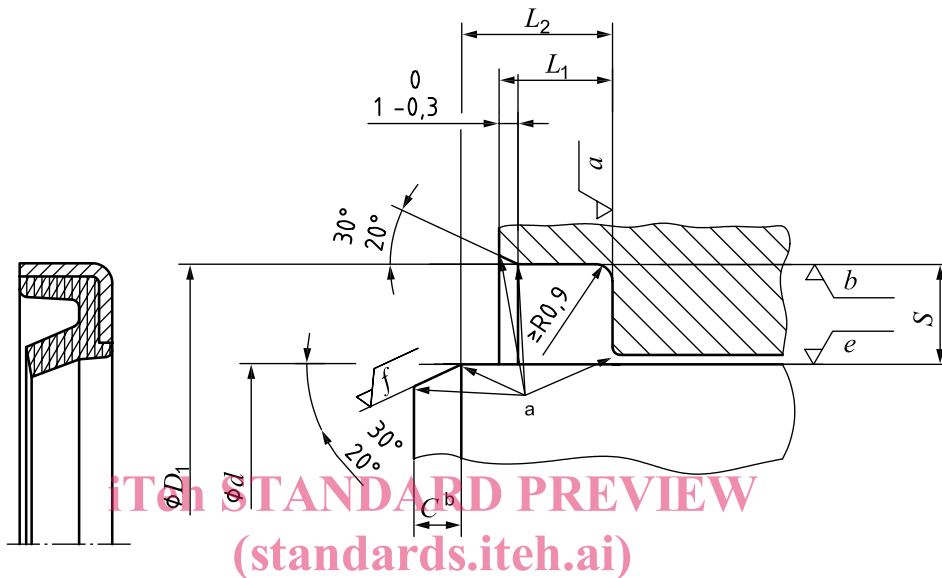
^d Tolerances and fits are according to ISO 286-1.

6.2 Type B housing

6.2.1 Type B housing and a typical wiper ring are shown in Figure 3.

6.2.2 Type B housing dimensions and tolerances shall conform to Table 2.

6.2.3 Type B wiper rings are recommended for use with cylinders conforming to ISO 6020-1 and to ISO 6022.



Key

a Rounded and burr free.

b See Table 6 for dimensions.

ISO 6195:2013

<https://standards.iteh.ai/catalog/standards/sist/c1cb281c-b214-4c9f-b743-7a60f413f34a/iso-6195-2013>

Figure 3 — Type B wiper housing and typical wiper ring

Dimensions in millimetres