
**Rolling bearings — Plummer block
 housings — Boundary dimensions**

Roulements — Paliers — Dimensions d'encombrement

iTeh STANDARD PREVIEW
(standards.iteh.ai)

ISO 113:2010

<https://standards.iteh.ai/catalog/standards/sist/4385cb0c-f711-4035-8605-baf0c18cb8e1/iso-113-2010>



PDF disclaimer

This PDF file may contain embedded typefaces. In accordance with Adobe's licensing policy, this file may be printed or viewed but shall not be edited unless the typefaces which are embedded are licensed to and installed on the computer performing the editing. In downloading this file, parties accept therein the responsibility of not infringing Adobe's licensing policy. The ISO Central Secretariat accepts no liability in this area.

Adobe is a trademark of Adobe Systems Incorporated.

Details of the software products used to create this PDF file can be found in the General Info relative to the file; the PDF-creation parameters were optimized for printing. Every care has been taken to ensure that the file is suitable for use by ISO member bodies. In the unlikely event that a problem relating to it is found, please inform the Central Secretariat at the address given below.

iTeh STANDARD PREVIEW
(standards.iteh.ai)

ISO 113:2010

<https://standards.iteh.ai/catalog/standards/sist/4385cb0c-f711-4035-8605-baf0c18cb8e1/iso-113-2010>



COPYRIGHT PROTECTED DOCUMENT

© ISO 2010

All rights reserved. Unless otherwise specified, no part of this publication may be reproduced or utilized in any form or by any means, electronic or mechanical, including photocopying and microfilm, without permission in writing from either ISO at the address below or ISO's member body in the country of the requester.

ISO copyright office
Case postale 56 • CH-1211 Geneva 20
Tel. + 41 22 749 01 11
Fax + 41 22 749 09 47
E-mail copyright@iso.org
Web www.iso.org

Published in Switzerland

Foreword

ISO (the International Organization for Standardization) is a worldwide federation of national standards bodies (ISO member bodies). The work of preparing International Standards is normally carried out through ISO technical committees. Each member body interested in a subject for which a technical committee has been established has the right to be represented on that committee. International organizations, governmental and non-governmental, in liaison with ISO, also take part in the work. ISO collaborates closely with the International Electrotechnical Commission (IEC) on all matters of electrotechnical standardization.

International Standards are drafted in accordance with the rules given in the ISO/IEC Directives, Part 2.

The main task of technical committees is to prepare International Standards. Draft International Standards adopted by the technical committees are circulated to the member bodies for voting. Publication as an International Standard requires approval by at least 75 % of the member bodies casting a vote.

Attention is drawn to the possibility that some of the elements of this document may be the subject of patent rights. ISO shall not be held responsible for identifying any or all such patent rights.

ISO 113 was prepared by Technical Committee ISO/TC 4, *Rolling bearings*.

This third edition cancels and replaces the second edition (ISO 113:1999), of which it constitutes a minor revision, incorporating updated references and terminology, as well as the addition of an (informative) annex giving additional boundary dimensions.

ISO 113:2010

<https://standards.iteh.ai/catalog/standards/sist/4385cb0c-f711-4035-8605-baf0c18cb8e1/iso-113-2010>

iTeh STANDARD PREVIEW
(standards.iteh.ai)

ISO 113:2010

<https://standards.iteh.ai/catalog/standards/sist/4385cb0c-f711-4035-8605-baf0c18cb8e1/iso-113-2010>

Rolling bearings — Plummer block housings — Boundary dimensions

1 Scope

This International Standard specifies boundary dimensions for two-bolt plumber block housings primarily intended for rolling bearings in diameter series 0, 1, 2 and 3, as specified in ISO 15, and for four-bolt plumber block housings primarily intended for rolling bearings in diameter series 0, 1 and 2.

2 Normative references

The following referenced documents are indispensable for the application of this document. For dated references, only the edition cited applies. For undated references, the latest edition of the referenced document (including any amendments) applies.

ISO 15, *Rolling bearings — Radial bearings — Boundary dimensions, general plan*

ISO 5593, *Rolling bearings — Vocabulary*

ISO 15241, *Rolling bearings — Symbols for quantities*

<https://standards.iteh.ai/catalog/standards/sist/4385cb0c-f711-4035-8605-baf0c18cb8e1/iso-113-2010>

3 Terms and definitions

For the purposes of this document, the terms and definitions given in ISO 5593 and the following apply.

3.1

two-bolt plumber block housing

housing with two cap bolts and two bolt holes in the base

See Figure 1.

3.2

four-bolt plumber block housing

housing with four cap bolts and four bolt holes in the base

See Figure 2.

4 Symbols

For the purposes of this document, the symbols given in ISO 15241 and the following apply.

The symbols shown in Figures 1 and 2 and the values given in Tables 1 and 2 denote nominal dimensions unless specified otherwise.

ISO 113:2010(E)

- A overall width
- A_1 width of base
- D_a seating diameter
- H distance from mounting face to centreline of seating diameter
- H_1 height of feet
- J centre distance between bolt holes (length)
- J_1 centre distance between bolt holes (width)
- L length of base
- N width of bolt hole
- N_1 length of bolt hole

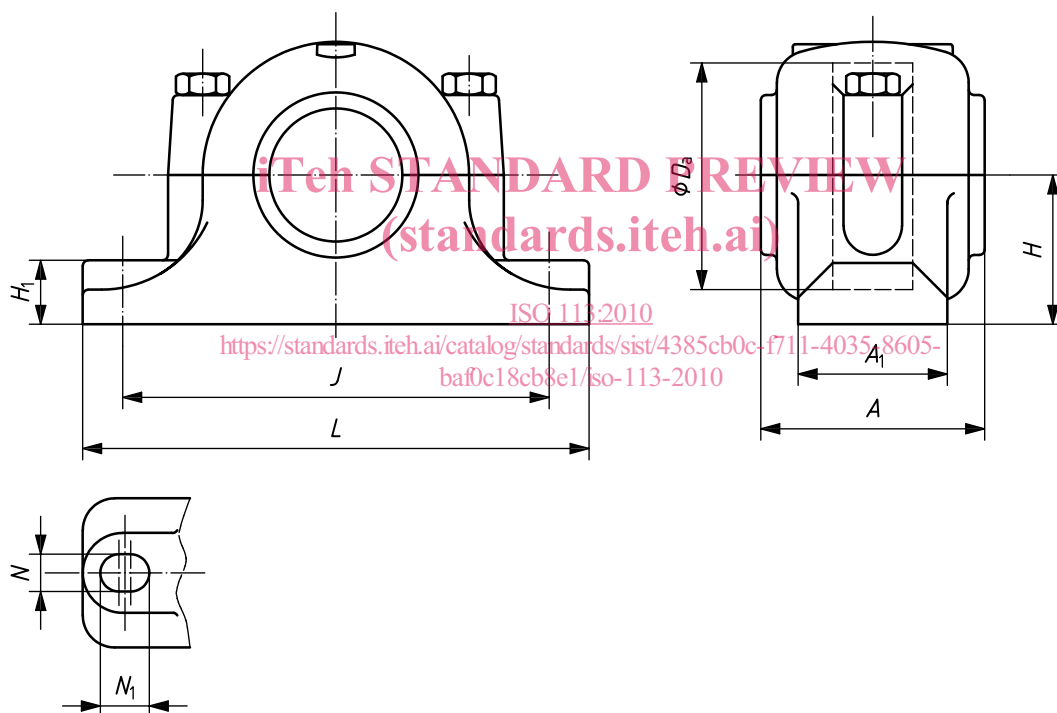
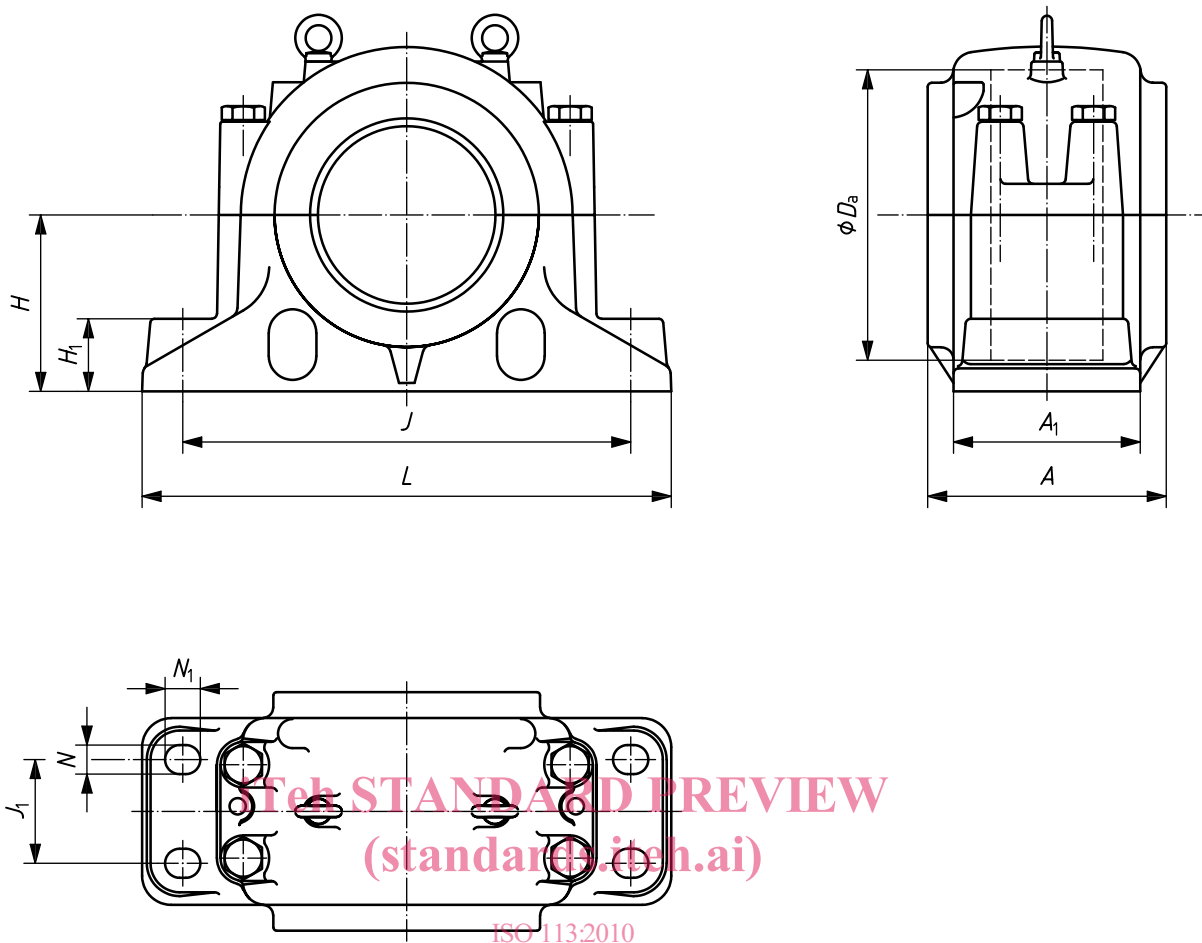


Figure 1 — Two-bolt plummer block housing



ISO 113:2010
<https://standards.iteh.ai/catalog/standards/sist/4385cb0c-f711-4035-8605-baf0c18cb8e1/iso-113-2010>

Figure 2 — Four-bolt plummer block housing

5 Boundary dimensions

Boundary dimensions of two-bolt plummer block housings and four-bolt plummer block housings shall be as given in Tables 1 and 2, respectively.

NOTE For additional boundary dimensions of two-bolt plummer block housings and four-bolt plummer block housings, which are also commonly used, see Annex A.

Where “max.” is shown in Tables 1 and 2, this indicates that the value is both the nominal and the largest actual value permitted. Where “min.” is shown in Tables 1 and 2, this indicates that the value is both the nominal and the smallest actual value permitted.

Table 1 — Two-bolt plummer block housings

Dimensions in millimetres

D_a	H	J	N	N_1 min.	A max.	L max.	A_1	H_1 max.
52	40	130	15	15	72	170	46	22
62	50	150	15	15	82	190	52	22
72	50	150	15	15	85	190	52	22
80	60	170	15	15	92	210	60	25
85	60	170	15	15	92	210	60	25
90	60	170	15	15	100	210	60	25
100	70	210	18	18	105	270	70	28
110	70	210	18	18	115	270	70	30
120	80	230	18	18	120	290	80	30
125	80	230	18	18	120	290	80	30
130	80	230	18	18	125	290	80	30
140	95	260	22	22	135	330	90	32
150	95	260	22	22	140	330	90	32
160	100	290	22	22	145	360	100	35
170	112	290	22	22	150	360	100	35
180	112	320	26	26	165	400	110	40
190	112	320	26	26	165	405	110	40
200	125	350	26	26	177	420	120	45
210	140	350	26	26	177	425	120	45
215	140	350	26	26	187	420	120	45
225	150	380	28	28	187	465	130	50
230	150	380	28	28	192	450	130	50
240	150	390	28	28	195	475	130	50
250	150	420	35	35	207	510	150	50
260	160	450	35	35	210	545	160	60
270	160	450	35	35	224	540	160	60
280	170	470	35	35	225	565	160	60
290	170	470	35	35	237	560	160	60
300	180	520	35	35	237	630	170	70
310	180	515	35	35	240	620	170	60
320	190	560	35	35	245	680	180	70
340	200	580	42	42	260	710	190	70
360	210	610	42	42	270	725	200	75
400	240	680	48	48	290	825	220	80
420	250	720	48	48	300	865	230	80

Table 2 — Four-bolt plummer block housings

Dimensions in millimetres

D_a	H	J	J_1	N	N_1 min.	A max.	L max.	A_1	H_1 max.
280	170	430	100	28	28	235	515	180	70
290	170	430	100	28	28	235	515	180	70
300	180	450	110	28	28	245	535	190	75
310	190	480	120	28	28	265	565	210	80
320	190	480	120	28	28	265	565	210	80
340	210	510	130	35	35	285	615	230	85
360	220	540	140	35	35	295	645	240	90
370	220	540	140	35	35	295	645	240	90
400	240	600	150	35	35	315	705	260	95
420	260	650	160	42	42	325	775	280	100
440	260	650	160	42	42	325	775	280	100
460	280	670	160	42	42	325	795	280	105
480	300	710	190	42	42	355	835	310	110
500	300	710	190	42	42	355	835	310	110
520	320	750	200	42	42	375	885	330	115
540	320	750	200	42	42	375	885	330	115