



SLOVENSKI STANDARD SIST ISO 113:2015

01-marec-2015

Nadomešča:
SIST ISO 113:2001

Kotalni ležaji - Okrov stoječega ležajnega sklopa - Glavne mere

Rolling bearings - Plummer block housings - Boundary dimensions

iTeh STANDARD PREVIEW
Roulements - Paliers - Dimensions d'encombrement
(standards.iteh.ai)

Ta slovenski standard je istoveten z: ~~SIST ISO 113:2015~~ ISO 113:2010

<https://standards.iteh.ai/catalog/standards/sist/dbc9cf24-9751-450e-ae2b-d26b7d17d26e/sist-iso-113-2015>

ICS:

21.100.20 Kotalni ležaji Rolling bearings

SIST ISO 113:2015 **en,fr**

iTeh STANDARD PREVIEW
(standards.iteh.ai)

[SIST ISO 113:2015](#)

<https://standards.iteh.ai/catalog/standards/sist/dbc9cf24-9751-450e-ae2b-d26b7d17f26c/sist-iso-113-2015>

INTERNATIONAL
STANDARD

ISO
113

Third edition
2010-07-01

**Rolling bearings — Plummer block
 housings — Boundary dimensions**

Roulements — Paliers — Dimensions d'encombrement

iTeh STANDARD PREVIEW
(standards.iteh.ai)

[SIST ISO 113:2015](https://standards.iteh.ai/catalog/standards/sist/dbc9cf24-9751-450e-ac2b-d26b7d17f26c/sist-iso-113-2015)

<https://standards.iteh.ai/catalog/standards/sist/dbc9cf24-9751-450e-ac2b-d26b7d17f26c/sist-iso-113-2015>



Reference number
ISO 113:2010(E)

© ISO 2010

PDF disclaimer

This PDF file may contain embedded typefaces. In accordance with Adobe's licensing policy, this file may be printed or viewed but shall not be edited unless the typefaces which are embedded are licensed to and installed on the computer performing the editing. In downloading this file, parties accept therein the responsibility of not infringing Adobe's licensing policy. The ISO Central Secretariat accepts no liability in this area.

Adobe is a trademark of Adobe Systems Incorporated.

Details of the software products used to create this PDF file can be found in the General Info relative to the file; the PDF-creation parameters were optimized for printing. Every care has been taken to ensure that the file is suitable for use by ISO member bodies. In the unlikely event that a problem relating to it is found, please inform the Central Secretariat at the address given below.

iTeh STANDARD PREVIEW (standards.iteh.ai)

SIST ISO 113:2015

<https://standards.iteh.ai/catalog/standards/sist/dbc9cf24-9751-450e-ac2b-d26b7d17f26c/sist-iso-113-2015>

**COPYRIGHT PROTECTED DOCUMENT**

© ISO 2010

All rights reserved. Unless otherwise specified, no part of this publication may be reproduced or utilized in any form or by any means, electronic or mechanical, including photocopying and microfilm, without permission in writing from either ISO at the address below or ISO's member body in the country of the requester.

ISO copyright office
Case postale 56 • CH-1211 Geneva 20
Tel. + 41 22 749 01 11
Fax + 41 22 749 09 47
E-mail copyright@iso.org
Web www.iso.org

Published in Switzerland

Foreword

ISO (the International Organization for Standardization) is a worldwide federation of national standards bodies (ISO member bodies). The work of preparing International Standards is normally carried out through ISO technical committees. Each member body interested in a subject for which a technical committee has been established has the right to be represented on that committee. International organizations, governmental and non-governmental, in liaison with ISO, also take part in the work. ISO collaborates closely with the International Electrotechnical Commission (IEC) on all matters of electrotechnical standardization.

International Standards are drafted in accordance with the rules given in the ISO/IEC Directives, Part 2.

The main task of technical committees is to prepare International Standards. Draft International Standards adopted by the technical committees are circulated to the member bodies for voting. Publication as an International Standard requires approval by at least 75 % of the member bodies casting a vote.

Attention is drawn to the possibility that some of the elements of this document may be the subject of patent rights. ISO shall not be held responsible for identifying any or all such patent rights.

ISO 113 was prepared by Technical Committee ISO/TC 4, *Rolling bearings*.

This third edition cancels and replaces the second edition (ISO 113:1999), of which it constitutes a minor revision, incorporating updated references and terminology, as well as the addition of an (informative) annex giving additional boundary dimensions.

SIST ISO 113:2015

<https://standards.iteh.ai/catalog/standards/sist/dbc9cf24-9751-450e-ac2b-d26b7d17f26c/sist-iso-113-2015>

iTeh STANDARD PREVIEW
(standards.iteh.ai)

[SIST ISO 113:2015](#)

<https://standards.iteh.ai/catalog/standards/sist/dbc9cf24-9751-450e-ae2b-d26b7d17f26c/sist-iso-113-2015>

Rolling bearings — Plummer block housings — Boundary dimensions

1 Scope

This International Standard specifies boundary dimensions for two-bolt plumber block housings primarily intended for rolling bearings in diameter series 0, 1, 2 and 3, as specified in ISO 15, and for four-bolt plumber block housings primarily intended for rolling bearings in diameter series 0, 1 and 2.

2 Normative references

The following referenced documents are indispensable for the application of this document. For dated references, only the edition cited applies. For undated references, the latest edition of the referenced document (including any amendments) applies.

ISO 15, *Rolling bearings — Radial bearings — Boundary dimensions, general plan*

ISO 5593, *Rolling bearings — Vocabulary*

ISO 15241, *Rolling bearings — Symbols for quantities*

<https://standards.iteh.ai/catalog/standards/sist/dbc9cf24-9751-450e-ac2b-d26b7d17f26c/sist-iso-113-2015>

3 Terms and definitions

For the purposes of this document, the terms and definitions given in ISO 5593 and the following apply.

3.1

two-bolt plumber block housing

housing with two cap bolts and two bolt holes in the base

See Figure 1.

3.2

four-bolt plumber block housing

housing with four cap bolts and four bolt holes in the base

See Figure 2.

4 Symbols

For the purposes of this document, the symbols given in ISO 15241 and the following apply.

The symbols shown in Figures 1 and 2 and the values given in Tables 1 and 2 denote nominal dimensions unless specified otherwise.

ISO 113:2010(E)

- A overall width
- A_1 width of base
- D_a seating diameter
- H distance from mounting face to centreline of seating diameter
- H_1 height of feet
- J centre distance between bolt holes (length)
- J_1 centre distance between bolt holes (width)
- L length of base
- N width of bolt hole
- N_1 length of bolt hole

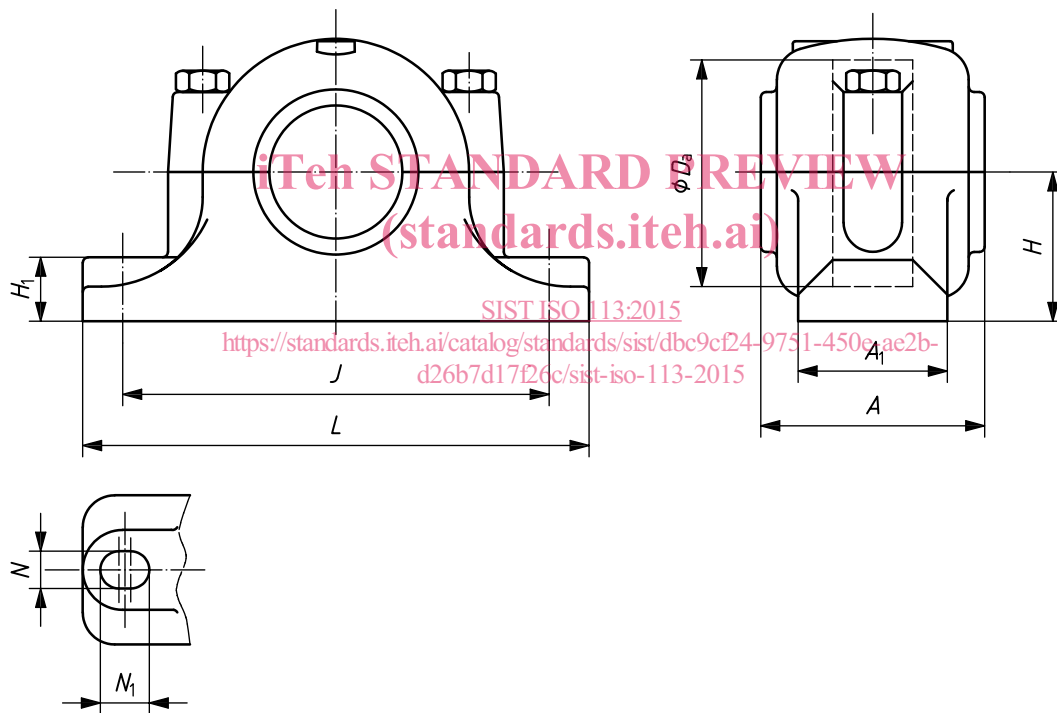
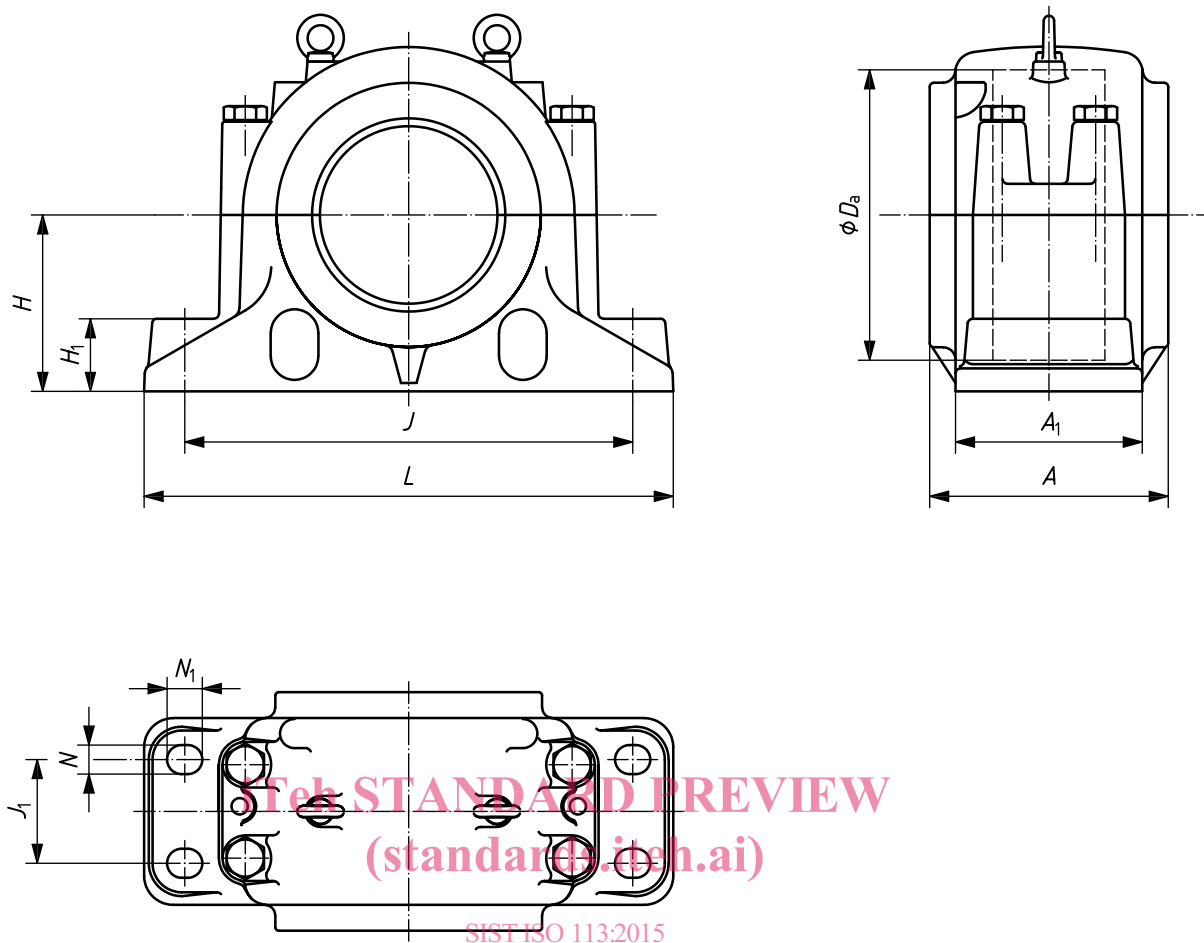


Figure 1 — Two-bolt plummer block housing



SIST ISO 113:2015
<https://standards.itech.ai/catalog/standards/sist/dbc9cf24-9751-450e-ac2b-d26b7d17f26c/sist-iso-113-2015>

Figure 2 — Four-bolt plumber block housing

5 Boundary dimensions

Boundary dimensions of two-bolt plumber block housings and four-bolt plumber block housings shall be as given in Tables 1 and 2, respectively.

NOTE For additional boundary dimensions of two-bolt plumber block housings and four-bolt plumber block housings, which are also commonly used, see Annex A.

Where “max.” is shown in Tables 1 and 2, this indicates that the value is both the nominal and the largest actual value permitted. Where “min.” is shown in Tables 1 and 2, this indicates that the value is both the nominal and the smallest actual value permitted.