

Third edition
2003-12-01

AMENDMENT 1
2011-12-15

Cranes — Vocabulary —

Part 3:
Tower cranes

AMENDMENT 1

Appareils de levage à charge suspendue — Vocabulaire —

Partie 3: Grues à tour

AMENDEMENT 1

iTeh STANDARD PREVIEW
(standards.iteh.ai)

ISO 4306-3:2003/Amd 1:2011

<https://standards.iteh.ai/catalog/standards/sist/9a6d0369-410e-4b27-88e8-6067c72b8f49/iso-4306-3-2003-amd-1-2011>



Reference number
ISO 4306-3:2003/Amd.1:2011(E)

© ISO 2011

iTeh STANDARD PREVIEW (standards.iteh.ai)

<https://standards.iteh.ai/catalog/standards/sist/9a6d0369-410e-4b27-88e8-6067c72b8f49/iso-4306-3-2003-amd-1-2011>



COPYRIGHT PROTECTED DOCUMENT

© ISO 2011

All rights reserved. Unless otherwise specified, no part of this publication may be reproduced or utilized in any form or by any means, electronic or mechanical, including photocopying and microfilm, without permission in writing from either ISO at the address below or ISO's member body in the country of the requester.

ISO copyright office
Case postale 56 • CH-1211 Geneva 20
Tel. + 41 22 749 01 11
Fax + 41 22 749 09 47
E-mail copyright@iso.org
Web www.iso.org

Published in Switzerland

Foreword

ISO (the International Organization for Standardization) is a worldwide federation of national standards bodies (ISO member bodies). The work of preparing International Standards is normally carried out through ISO technical committees. Each member body interested in a subject for which a technical committee has been established has the right to be represented on that committee. International organizations, governmental and non-governmental, in liaison with ISO, also take part in the work. ISO collaborates closely with the International Electrotechnical Commission (IEC) on all matters of electrotechnical standardization.

International Standards are drafted in accordance with the rules given in the ISO/IEC Directives, Part 2.

The main task of technical committees is to prepare International Standards. Draft International Standards adopted by the technical committees are circulated to the member bodies for voting. Publication as an International Standard requires approval by at least 75 % of the member bodies casting a vote.

Attention is drawn to the possibility that some of the elements of this document may be the subject of patent rights. ISO shall not be held responsible for identifying any or all such patent rights.

Amendment 1 to ISO 4306-3:2003 was prepared by Technical Committee ISO/TC 96, *Cranes*, Subcommittee SC 7, *Tower cranes*.

iTeh STANDARD PREVIEW (standards.iteh.ai)

[ISO 4306-3:2003/Amd 1:2011](https://standards.iteh.ai/catalog/standards/sist/9a6d0369-410e-4b27-88e8-6067c72b8f49/iso-4306-3-2003-amd-1-2011)

<https://standards.iteh.ai/catalog/standards/sist/9a6d0369-410e-4b27-88e8-6067c72b8f49/iso-4306-3-2003-amd-1-2011>

iTeh STANDARD PREVIEW
(standards.iteh.ai)

[ISO 4306-3:2003/Amd 1:2011](https://standards.iteh.ai/catalog/standards/sist/9a6d0369-410e-4b27-88e8-6067c72b8f49/iso-4306-3-2003-amd-1-2011)

<https://standards.iteh.ai/catalog/standards/sist/9a6d0369-410e-4b27-88e8-6067c72b8f49/iso-4306-3-2003-amd-1-2011>

Cranes — Vocabulary —

Part 3: Tower cranes

AMENDMENT 1

Page 1, Scope

Replace the 3rd and 4th paragraphs of the Scope by the following:

It is applicable to

- tower cranes that can be assembled and dismantled (by element or self-erecting cranes),
- permanently erected tower cranes, and
- mobile self-erecting tower cranes.

It is not applicable to

- mobile cranes, or
- erection masts, with or without jibs.

iTeH STANDARD PREVIEW
(standards.iteh.ai)

[ISO 4306-3:2003/Amd 1:2011](https://standards.iteh.ai/catalog/standards/sist/9a6d0369-410e-4b27-88e8-6067c7268449/iso-4306-3-2003-amd-1-2011)

<https://standards.iteh.ai/catalog/standards/sist/9a6d0369-410e-4b27-88e8-6067c7268449/iso-4306-3-2003-amd-1-2011>

Page 2, definition 2.1

Replace Note 3 by the following:

NOTE 3 The appliance may be installed in a fixed position or equipped with means for displacement or climbing.

Add a fourth Note:

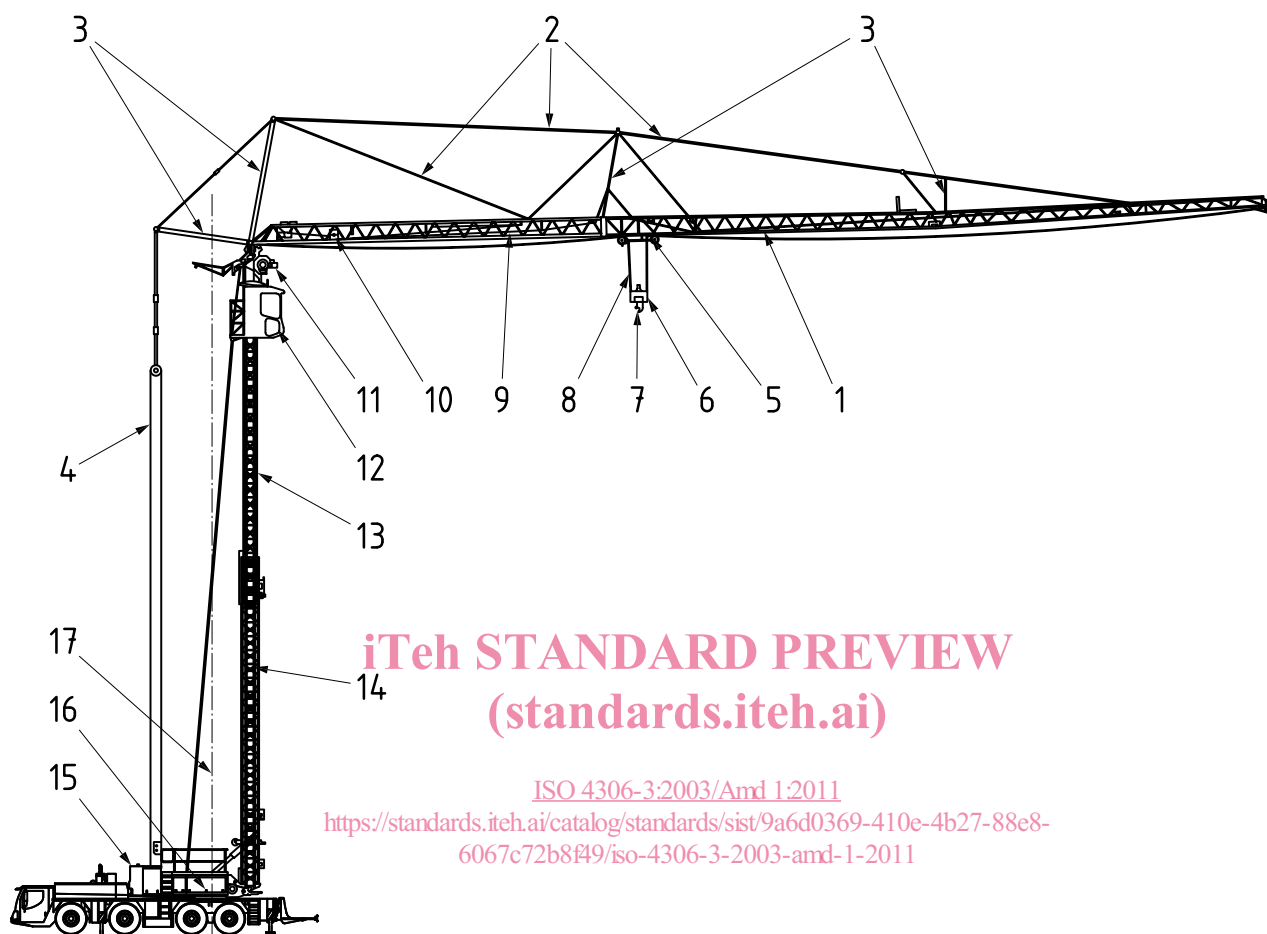
NOTE 4 A mobile self-erecting tower crane is considered a tower crane.

Page 4, Table 1

Add a line to the table, for mobile self-erecting tower cranes:

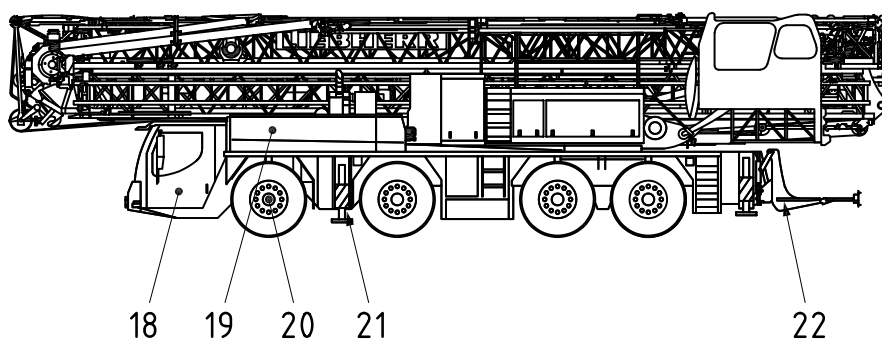
Mobile self-erecting tower cranes		Figure 8
-----------------------------------	--	----------

Insert a new figure, as Figure 8, between Figure 7 and the Bibliography:



iTeh STANDARD PREVIEW
(standards.itih.ai)

ISO 4306-3:2003/Amd 1:2011
<https://standards.itih.ai/catalog/standards/sist/9a6d0369-410e-4b27-88e8-6067c72b8f49/iso-4306-3-2003-amd-1-2011>



Key

- 1 jib
- 2 jib tie
- 3 jib support truss
- 4 jib tie rope
- 5 trolley
- 6 bottom hook block
- 7 load hook
- 8 hoist rope
- 9 trolley travelling rope
- 10 trolley travelling mechanism
- 11 elevating cabin drive
- 12 elevating cabin
- 13 tower upper section (telescopic)
- 14 tower lower section
- 15 counterweight
- 16 slewing platform including
 - hoisting winch
 - slewing gear
 - jib erecting winch
 - switchgear cabinet
- 17 slewing axis
- 18 operator's cabin
- 19 engine
- 20 axle
- 21 outrigger
- 22 working equipment carrier

iTeh STANDARD PREVIEW
(standards.iteh.ai)

[ISO 4306-3:2003/Amd 1:2011](https://standards.iteh.ai/catalog/standards/sist/9a6d0369-410e-4b27-88e8-6067c72b8f49/iso-4306-3-2003-amd-1-2011)

<https://standards.iteh.ai/catalog/standards/sist/9a6d0369-410e-4b27-88e8-6067c72b8f49/iso-4306-3-2003-amd-1-2011>

Figure 8 — Mobile self-erecting tower crane

iTeh STANDARD PREVIEW
(standards.iteh.ai)

[ISO 4306-3:2003/Amd 1:2011](https://standards.iteh.ai/catalog/standards/sist/9a6d0369-410e-4b27-88e8-6067c72b8f49/iso-4306-3-2003-amd-1-2011)

<https://standards.iteh.ai/catalog/standards/sist/9a6d0369-410e-4b27-88e8-6067c72b8f49/iso-4306-3-2003-amd-1-2011>

ICS 01.040.53; 53.020.20

Price based on 3 pages