
**Footwear — Resistance to crack initiation
and growth — Belt flex method**

*Chaussures — Résistance à la fissuration et à sa croissance —
Méthode de flexion de la ceinture*

iTeh STANDARD PREVIEW
(standards.iteh.ai)

ISO 16177:2012

<https://standards.iteh.ai/catalog/standards/sist/90d07b20-70a2-4910-846c-9a35948baa6d/iso-16177-2012>



iTeh STANDARD PREVIEW (standards.iteh.ai)

ISO 16177:2012

<https://standards.iteh.ai/catalog/standards/sist/90d07b20-70a2-4910-846c-9a35948baa6d/iso-16177-2012>



COPYRIGHT PROTECTED DOCUMENT

© ISO 2012

All rights reserved. Unless otherwise specified, no part of this publication may be reproduced or utilized in any form or by any means, electronic or mechanical, including photocopying and microfilm, without permission in writing from either ISO at the address below or ISO's member body in the country of the requester.

ISO copyright office
Case postale 56 • CH-1211 Geneva 20
Tel. + 41 22 749 01 11
Fax + 41 22 749 09 47
E-mail copyright@iso.org
Web www.iso.org

Published in Switzerland

Foreword

ISO (the International Organization for Standardization) is a worldwide federation of national standards bodies (ISO member bodies). The work of preparing International Standards is normally carried out through ISO technical committees. Each member body interested in a subject for which a technical committee has been established has the right to be represented on that committee. International organizations, governmental and non-governmental, in liaison with ISO, also take part in the work. ISO collaborates closely with the International Electrotechnical Commission (IEC) on all matters of electrotechnical standardization.

International Standards are drafted in accordance with the rules given in the ISO/IEC Directives, Part 2.

The main task of technical committees is to prepare International Standards. Draft International Standards adopted by the technical committees are circulated to the member bodies for voting. Publication as an International Standard requires approval by at least 75 % of the member bodies casting a vote.

Attention is drawn to the possibility that some of the elements of this document may be the subject of patent rights. ISO shall not be held responsible for identifying any or all such patent rights.

ISO 16177 was prepared by the European Committee for Standardization (CEN) Technical Committee CEN/TC 309, *Footwear*, in collaboration with ISO Technical Committee ISO/TC 216, *Footwear*, in accordance with the agreement on technical cooperation between ISO and CEN (Vienna Agreement).

iTeh STANDARD PREVIEW (standards.iteh.ai)

[ISO 16177:2012](https://standards.iteh.ai/catalog/standards/sist/90d07b20-70a2-4910-846c-9a35948baa6d/iso-16177-2012)

<https://standards.iteh.ai/catalog/standards/sist/90d07b20-70a2-4910-846c-9a35948baa6d/iso-16177-2012>

iTeh STANDARD PREVIEW
(standards.iteh.ai)

ISO 16177:2012

<https://standards.iteh.ai/catalog/standards/sist/90d07b20-70a2-4910-846c-9a35948baa6d/iso-16177-2012>

Footwear — Resistance to crack initiation and growth — Belt flex method

1 Scope

This International Standard specifies a test method for determining the resistance of a component or material to crack initiation and growth due to repeated flexing. The method is mainly applicable to outsoles of footwear but may also be used with certain other flexible components.

2 Apparatus and materials

2.1 Flexing machine with:

2.1.1 Free wheeling, slightly crowned flexing roller, with a width of (170 ± 20) mm and

- for high performance soles,
diameter at its centre $(60,0 \pm 0,5)$ mm,
diameter at its ends (57 ± 1) mm;

NOTE This roller will normally only be used for footwear which is expected to be subjected to abnormally high flexing demands.

- for typical sole units,
diameter at its centre $(90,0 \pm 0,5)$ mm,
diameter at its ends (87 ± 1) mm;
- for soles with a thickness greater than 15 mm,
diameter at its centre $(120,0 \pm 0,5)$ mm,
diameter at its ends (117 ± 1) mm.

2.1.2 Driven, slightly crowned roller, with a diameter of (225 ± 5) mm and a width of (170 ± 20) mm.

2.1.3 Flexible continuous belt of cotton canvas of length $(1\,930 \pm 50)$ mm and width (140 ± 5) mm which passes over the two rollers (2.1.1) and (2.1.2). The cotton canvas is 2-ply 100 % cotton belting having a mass per unit area of (500 ± 25) g/m² and an extension at break along the belt of (14 ± 2) % at a breaking force of $(2\,000 \pm 200)$ N. The corresponding across-the-belt values are (14 ± 2) % and (750 ± 50) N.

2.1.4 Means of driving the larger roller (2.1.2) at a speed of (247 ± 20) r/min so that the belt (2.1.3) completes (90 ± 8) flexing cycles per minute.

2.1.5 Method of counting the number of cycles completed by the belt (2.1.3).

2.2 Polyurethane adhesive system to bond the test specimen to the surface of the belt (2.1.3), consisting of:

2.2.1 Pre-reacted PU adhesive.

2.2.2 Single-component PU adhesive.

2.3 Cutting device, such as a sharp knife or scalpel, capable of cutting test specimens.

2.4 Smooth-surfaced hand tool for the application of localized pressure by a rubbing action.

NOTE A rapid acting platen press with the capability of applying a pressure of (500 ± 50) kPa over the whole area of the test specimen may be suitable for some types of sole specimen.

2.5 Means of heating adhesive film, for activating adhesive film or removing samples from the belt. This can be achieved by using a hot air gun or an oven set at 50 °C. Heat should be applied in short bursts to prevent partial melting of soles.

NOTE Commercial equipment for heat reactivating outsoles and uppers in production is suitable.

2.6 Method of checking that the temperature of the adhesive film is within the range between 80 °C and 90 °C. Heat sensitive crayons, such as Tempilstik¹⁾, are suitable, preferably with a melting temperature of 83 °C.

2.7 Primers.

2.7.1 Vulcanized and thermoplastic rubber test specimens. A halogenation primer for rubber will be necessary for producing satisfactory bonds.

2.7.2 EVA test specimens. An EVA primer will be necessary for producing satisfactory bonds.

2.8 Device, such as a T square, with an internal angle of $(90 \pm 1)^\circ$.

2.9 Device for checking whether the depth of a crack is greater than 1,5 mm. A thin strip of metal with a length scale or stepped thickness is suitable.

iTech STANDARD PREVIEW
(standards.iteh.ai)
ISO 16177:2012
<https://standards.iteh.ai/catalog/standards/sist/90d07b20-70a2-4910-846c-9a35948baa6d/iso-16177-2012>

3 Principle

A test specimen is bonded with a strong adhesive to a continuous belt, which is driven around two rollers. The spacing and radius of the rollers is such that the test specimen is repeatedly subjected to a short period of rapid flexing followed by a longer period unflexed as the belt passes around the rollers, which simulates the wear conditions of a footwear outsole. The specimen is flexed for a fixed number of cycles and the number of cracks that form and their severity is recorded.

4 Preparation of test specimens

4.1 If the test specimen has been moulded, then the time between moulding and testing should be at least 48 h.

4.2 If the test specimen is an outsole attached to a made item of footwear:

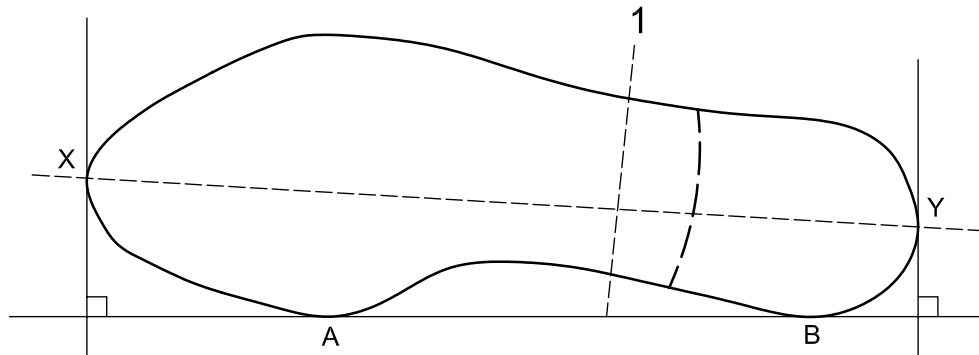
- cut off the upper just above the level of the insole;
- remove the insole;
- scour or rough away the lasted margin of the upper, taking care not to damage the outsole;
- check for the presence of a metallic penetration-resistant insert.

Do not use heat to soften the bond of the outsole to the upper as this may damage the outsole.

1) Tempilstik is an example of a suitable product available commercially. This information is given for the convenience of users of this International Standard and does not constitute an endorsement by ISO of this product.

4.3 Mark the toe-heel centre line on the outer surface of the outsole as follows.

4.3.1 Place the points A and B (see Figure 1) on the inside edge of the outsole against the longer edge of the T square (2.8) and the toe against the shorter edge.



Key

1 cut as described in 4.4

Figure 1 — Marking and cutting of test specimen (see also Figure 42 of ISO 20344:2011)

4.3.2 Make a mark on the toe at the point that is in contact with the shorter edge of the T square.

4.3.3 Repeat the procedure described in 4.3.1 and 4.3.2 for the heel of the test specimen.

4.3.4 Mark a line between the point at the heel and the point at the toe, XY in Figure 1.

4.4 Cut off the heel and part of the waist portion so as to leave 10 mm to 20 mm length of the waist on the forepart (see Figure 1).

4.5 If the edge of the forepart on the reverse side is cupped or includes any form of rand or imitation welt, scour this off until this surface is flat. Do not remove ribs in the central section of the outsole on the reverse side.

4.6 For outsoles which are thicker than 15 mm, reduce the thickness to 15 mm before preparation in order to ensure reasonable flexibility. In such cases, it will be necessary to use the 120 mm diameter flexing roller (2.1.1). Outsoles containing a metal insert are also tested using the 120 mm roller.

NOTE To help prevent thick soles peeling from the belt during the test, it is acceptable to taper the thickness at the extreme ends of the specimen (toe and waist) by scouring material away from the outside surface for a length of not more than 2,5 cm from each end, which will alleviate the flexing stress on the bond.

4.7 Prepare the reverse side of the forepart for bonding as follows.

4.7.1 Cellular polyurethane outsoles: lightly scour the whole of the surface.

4.7.2 Vulcanized and microcellular rubber: lightly scour the whole of the surface, then scrub it with a halogenation primer for rubber (2.7) using a stiff brush. Leave to dry for between 15 min and 8 h before applying any adhesive.

4.7.3 Thermoplastic rubber: lightly coat the whole of the reverse surface with a halogenation primer for rubber (2.7) using a soft brush. Leave to dry for between 30 min and 8 h before applying any adhesive.

4.7.4 Microcellular EVA: lightly scour the whole of the reverse surface, then coat it with an EVA primer (2.7) using a soft brush. Leave to dry for between 30 min and 8 h before applying any adhesive.

4.7.5 PVC and solid (thermoplastic) PU: wipe the whole of the reverse surface with butan-2-one (methyl ethyl ketone, MEK). Leave to dry for between 15 min and 1 h before applying any adhesive.

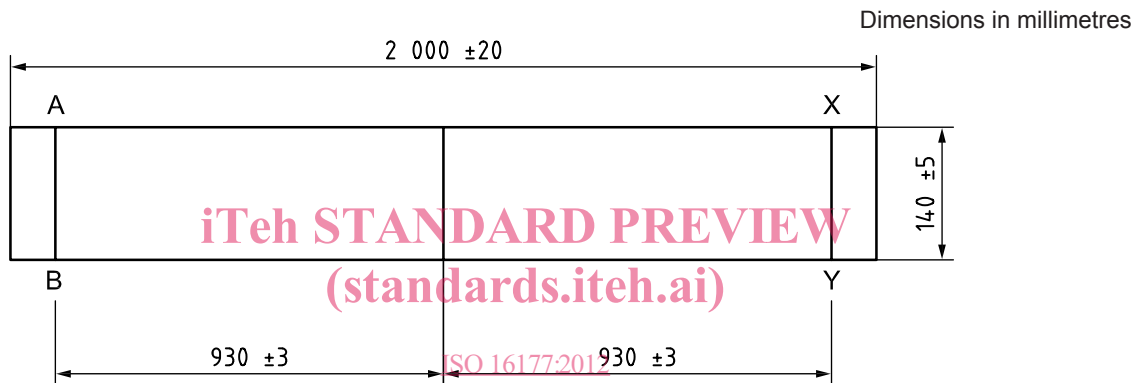
5 Procedure

5.1 In order to prepare the belt for test, proceed as follows.

5.1.1 Cut a strip of cotton canvas fabric (140 ± 5) mm \times ($2\ 000 \pm 20$) mm, and mark its centre on both sides.

5.1.2 Draw two lines across the strip of fabric (see Figure 2):

- at 90° to the longer edges of the strip;
- one line (930 ± 3) mm on either side of the centre of the strip;
- one line on the upper surface and the other on the lower surface.



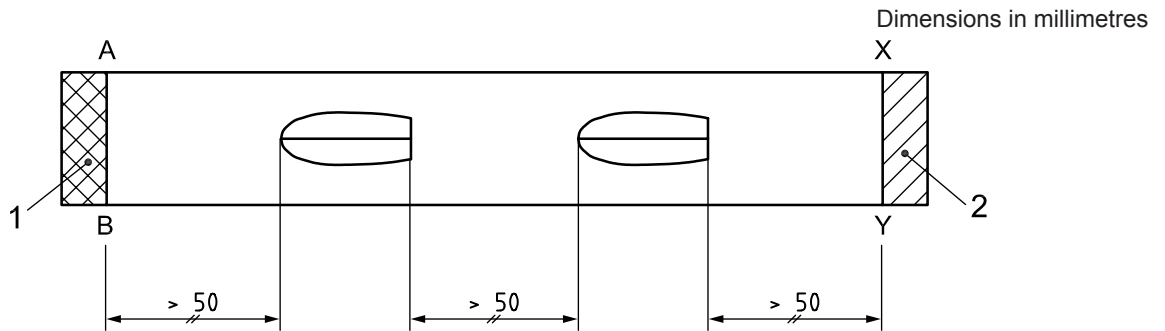
NOTE Line AB should be drawn on the opposite surface to line XY.

Figure 2 — Diagram for marking lines on the belt

5.1.3 A belt used for previous tests can be reused provided that it is not excessively frayed and there is a sufficiently large unused area for the new test specimens.

5.2 Place the specimens to be tested (see Figure 3) onto the belt so that:

- their wearing surfaces are uppermost;
- they are evenly spaced between the two lines (5.1.2);
- they are no closer than 50 mm to each other or the lines (5.1.2);
- they are centred across the width of the belt;
- their toes are pointing in the same direction;
- their centre line (4.3.4) is parallel to the longer edge of the belt;
- they do not cover any previously used areas of the belt.

**Key**

- 1 adhesive applied to the same surface as line AB
- 2 adhesive applied to the same surface as line XY

NOTE AB and XY are on opposite surfaces.

Figure 3 — Diagram for placing the specimens on the belt

5.3 Mark the perimeter of each test specimen on the belt.

5.4 Apply the pre-reacted adhesive (2.2.1) to the surface of the belt over:

- the whole area of each of the marked specimen positions;
- the area between the lines (5.1.2) and the ends of the belt (on opposite surfaces at one end to the other).

5.5 Apply a coat of the PU adhesive (2.2.2) to:

- the prepared surface of each test specimen;
- the areas of the belt coated as described in 5.4;

and leave to dry for about 15 min.

5.6 Use the heater (2.5) to heat the adhesive on one of the test specimens to a temperature of between 80 °C and 85 °C, as indicated by the crayon (2.6). At the same time, heat the corresponding area of the belt to be bonded to the same temperature.

5.7 Immediately position the test specimen on the corresponding warmed area of the belt so that the specimen is aligned with its previously drawn outline (5.3). Apply enough pressure by hand to bond the specimen to the belt.

NOTE This can be achieved by turning the belt over and applying localized pressure to the back of the belt by rubbing into the inside surface of the sole. A hand tool with a smooth-faced surface can aid this process.

5.8 Repeat the procedure described in 5.6 to 5.7 for any remaining test specimens.

5.9 Fold the belt so that the two ends are together and use the heater (2.5) to simultaneously heat the adhesive on both ends of the belt to a temperature of between 80 °C and 85 °C, as indicated by the crayon (2.6).

5.10 Apply enough pressure by hand to bond the belt together and complete the bonding by applying localized pressure.

NOTE Rubbing using a hand tool with a smooth-faced surface can aid this process.