

---

---

## Metric series wires for measuring screw threads

*Piges métriques pour mesurage des filetages*

**iTeh STANDARD PREVIEW**  
**(standards.iteh.ai)**

[ISO 16239:2013](https://standards.iteh.ai/catalog/standards/sist/09d9b183-9f55-4258-9fe4-15aace434910/iso-16239-2013)

<https://standards.iteh.ai/catalog/standards/sist/09d9b183-9f55-4258-9fe4-15aace434910/iso-16239-2013>



**iTeh STANDARD PREVIEW**  
**(standards.iteh.ai)**

ISO 16239:2013

<https://standards.iteh.ai/catalog/standards/sist/09d9b183-9f55-4258-9fe4-15aace434910/iso-16239-2013>



**COPYRIGHT PROTECTED DOCUMENT**

© ISO 2013

All rights reserved. Unless otherwise specified, no part of this publication may be reproduced or utilized otherwise in any form or by any means, electronic or mechanical, including photocopying, or posting on the internet or an intranet, without prior written permission. Permission can be requested from either ISO at the address below or ISO's member body in the country of the requester.

ISO copyright office  
Case postale 56 • CH-1211 Geneva 20  
Tel. + 41 22 749 01 11  
Fax + 41 22 749 09 47  
E-mail [copyright@iso.org](mailto:copyright@iso.org)  
Web [www.iso.org](http://www.iso.org)

Published in Switzerland

# Contents

	Page
Foreword .....	iv
<b>1 Scope</b> .....	<b>1</b>
<b>2 Normative references</b> .....	<b>1</b>
<b>3 Terms and definitions</b> .....	<b>1</b>
<b>4 Reference temperature</b> .....	<b>1</b>
<b>5 Material, hardness, and surface finish</b> .....	<b>1</b>
<b>6 Nominal diameters of best-size wires</b> .....	<b>2</b>
6.1 Wires for ISO general purpose metric screw threads (M) .....	2
6.2 Wires for Unified screw threads (UN) .....	2
6.3 Wires for Whitworth pipe threads (G, R) .....	2
6.4 Wires for ISO metric trapezoidal screw threads (Tr) .....	2
<b>7 Tolerances of wires</b> .....	<b>4</b>
<b>8 Measurement methods for wires</b> .....	<b>4</b>
8.1 Measuring the actual diameters of each wire .....	4
8.2 Determination of the difference of the actual diameters around a wire .....	4
<b>9 Designation</b> .....	<b>6</b>

## iTeh STANDARD PREVIEW (standards.iteh.ai)

[ISO 16239:2013](https://standards.iteh.ai/catalog/standards/sist/09d9b183-9f55-4258-9fe4-15aace434910/iso-16239-2013)

<https://standards.iteh.ai/catalog/standards/sist/09d9b183-9f55-4258-9fe4-15aace434910/iso-16239-2013>

## Foreword

ISO (the International Organization for Standardization) is a worldwide federation of national standards bodies (ISO member bodies). The work of preparing International Standards is normally carried out through ISO technical committees. Each member body interested in a subject for which a technical committee has been established has the right to be represented on that committee. International organizations, governmental and non-governmental, in liaison with ISO, also take part in the work. ISO collaborates closely with the International Electrotechnical Commission (IEC) on all matters of electrotechnical standardization.

The procedures used to develop this document and those intended for its further maintenance are described in the ISO/IEC Directives, Part 1. In particular the different approval criteria needed for the different types of ISO documents should be noted. This document was drafted in accordance with the editorial rules of the ISO/IEC Directives, Part 2. [www.iso.org/directives](http://www.iso.org/directives)

Attention is drawn to the possibility that some of the elements of this document may be the subject of patent rights. ISO shall not be held responsible for identifying any or all such patent rights. Details of any patent rights identified during the development of the document will be in the Introduction and/or on the ISO list of patent declarations received. [www.iso.org/patents](http://www.iso.org/patents)

Any trade name used in this document is information given for the convenience of users and does not constitute an endorsement.

For an explanation on the meaning of ISO specific terms and expressions related to conformity assessment, as well as information about ISO's adherence to the WTO principles in the Technical Barriers to Trade (TBT) see the following URL: Foreword - Supplementary information

The committee responsible for this document is ISO/TC 1, *Screw threads*.

[ISO 16239:2013](https://standards.iteh.ai/catalog/standards/sist/09d9b183-9f55-4258-9fe4-15aace434910/iso-16239-2013)

<https://standards.iteh.ai/catalog/standards/sist/09d9b183-9f55-4258-9fe4-15aace434910/iso-16239-2013>

# Metric series wires for measuring screw threads

## 1 Scope

This International Standard specifies the material, metric series nominal diameters, diameter tolerances, and designation for screw thread measuring wires.

This International Standard is applicable to the measurement of the pitch diameters of ISO general purpose metric screw threads (M), Unified screw threads (UN), Whitworth pipe threads (G, R), and ISO metric trapezoidal screw threads (Tr) with standard pitches. These wires are intended for use on screw threads with a small lead angle, less than 5°, and are mainly used to calibrate the pitch diameters of thread plug gauges.

## 2 Normative references

The following documents, in whole or in part, are normatively referenced in this document and are indispensable for its application. For dated references, only the edition cited applies. For undated references, the latest edition of the referenced document (including any amendments) applies.

ISO 1, *Geometrical Product Specifications (GPS) — Standard reference temperature for geometrical product specification and verification*

ISO 5408, *Screw threads — Vocabulary*

## 3 Terms and definitions

ISO 16239:2013

<https://standards.iteh.ai/catalog/standards/sist/09d9b183-9f55-4258-9fe4-15aacc434910/iso-16239-2013>

For the purposes of this document, the terms and definitions in ISO 5408 and the following apply.

### 3.1

#### best-size wire

wire that would touch an imaginary thread of zero lead angle at the pitch cylinder

Note 1 to entry: For symmetric threads, the diameter of a best-size wire is equal to  $P/(2 \cos \alpha/2)$ , where  $P$  is the pitch and  $\alpha/2$  is the flank angle.

## 4 Reference temperature

In accordance with ISO 1, the dimension of the wire shall be related to the standard reference temperature of 20 °C.

## 5 Material, hardness, and surface finish

The wires shall be made from alloy tool steel that has been stabilized to ensure dimensional stability. The wires shall be free from cracks and other detrimental defects.

The hardness shall be  $(760 \pm 50)$  HV5 over the measuring surface.

The roughness shall not exceed  $0,4 \mu\text{m } R_z$  over the measuring surface.

## 6 Nominal diameters of best-size wires

### 6.1 Wires for ISO general purpose metric screw threads (M)

The nominal diameters of best-size wires and the allocation of pitches are given in [Table 1](#).

**Table 1 — Nominal diameters of best-size wires and allocated pitches for M threads**

Dimensions in millimetres

Nominal diameter of wires	Pitch $P$	Nominal diameter of wires	Pitch $P$
0,115	0,2	0,866	1,5
0,144	0,25	1,010	1,75
0,173	0,3	1,155	2
0,202	0,35	1,443	2,5
0,231	0,4	1,732	3
0,260	0,45	2,021	3,5
0,289	0,5	2,309	4
0,346	0,6	2,598	4,5
0,404	0,7	2,887	5
0,433	0,75	3,175	5,5
0,462	0,8	3,464	6
0,577	1	4,619	8
0,722	1,25	-	-

[https://standards.itech.ai/catalog/standards/sist/09d9b183-9f55-4258-9fe4-](https://standards.itech.ai/catalog/standards/sist/09d9b183-9f55-4258-9fe4-1101334910/iso-16239-2013)

### 6.2 Wires for Unified screw threads (UN)

The nominal diameters of best-size wires and the allocation of number of threads per 25,4 mm are given in [Table 2](#).

### 6.3 Wires for Whitworth pipe threads (G, R)

The nominal diameters of best-size wires and the allocation of number of threads per 25,4 mm are given in [Table 3](#).

### 6.4 Wires for ISO metric trapezoidal screw threads (Tr)

The nominal diameters of best-size wires and the allocation of pitches are given in [Table 4](#).

**Table 2 — Nominal diameters of best-size wires and allocated threads per 25,4 mm for UN threads**

Nominal diameter of wires mm	Threads per 25,4 mm	Nominal diameter of wires mm	Threads per 25,4 mm
0,183	80	0,917	16
0,204	72	1,047	14 <sup>a</sup>
0,229	64	1,128	13
0,262	56	1,222	12
0,306	48	1,275	11,5 <sup>a</sup>
0,333	44	1,333	11
0,367	40	1,466	10
0,407	36	1,629	9
0,458	32	1,833	8 <sup>a</sup>
0,524	28	2,095	7
0,543	27 <sup>a</sup>	2,444	6
0,611	24	2,933	5
0,733	20	3,259	4,5
0,815	18 <sup>a</sup>	3,666	4

<sup>a</sup> These wires may be used for USA pipe threads, such as NPT, NPSC, and NPTF threads.

**Table 3 — Nominal diameters of best-size wires and allocated threads per 25,4 mm for G and R threads**

Nominal diameter of wires mm	Threads per 25,4 mm	Nominal diameter of wires mm	Threads per 25,4 mm
0,511	28	1,023	14
0,754	19	1,302	11

**Table 4 — Nominal diameters of best-size wires and allocated pitches for Tr threads**

Dimensions in millimetres

Nominal diameter of wires	Pitch <i>P</i>	Nominal diameter of wires	Pitch <i>P</i>
0,776	1,5	7,247	14
1,035	2	8,282	16
1,553	3	9,317	18
2,071	4	10,353	20
2,588	5	11,388	22
3,106	6	12,423	24
3,623	7	14,494	28
4,141	8	16,564	32
4,659	9	18,635	36
5,176	10	20,706	40
6,212	12	22,776	44

## 7 Tolerances of wires

Two tolerance grades for the diameter are standardized. They should be chosen according to the measurement uncertainty required.

The diameter limit deviations and the maximum permissible differences of the actual diameters of the wires are given in [Table 5](#).

**Table 5 — Diameter limit deviations and maximum permissible differences of the actual diameters of the wires**

Tolerance item	Tolerance grade	Tolerance $\mu\text{m}$	Recommended measurement method
Limit deviations for the actual diameters of each wire to the nominal diameters specified	1	$\pm 0,5$	8.1
Maximum permissible difference of the actual diameters between the wires in a set		0,25	8.1
Maximum permissible difference of the actual diameters along the axis of a wire		0,25	8.1
Maximum permissible difference of the actual diameters around a wire		0,25	8.2
Limit deviations for the actual diameters of each wire to the nominal diameters specified	2	$\pm 1$	8.1
Maximum permissible difference of the actual diameters between the wires in a set		0,5	8.1
Maximum permissible difference of the actual diameters along the axis of a wire		0,5	8.1
Maximum permissible difference of the actual diameters around a wire		0,5	8.2

## 8 Measurement methods for wires

### 8.1 Measuring the actual diameters of each wire

The actual diameters of each wire should be measured in the three planes, E1, E2, and E3, perpendicular to the axis of the wire, and in each plane, two actual diameters should be measured in perpendicular directions (see [Figure 1](#)).

The direct measurement or comparison measurement (using gauge blocks) for the actual diameters of each wire should be chosen according to the measurement uncertainty required.

NOTE In some countries, the actual diameters of wires are measured in a deformed condition for the correction of the measuring force.

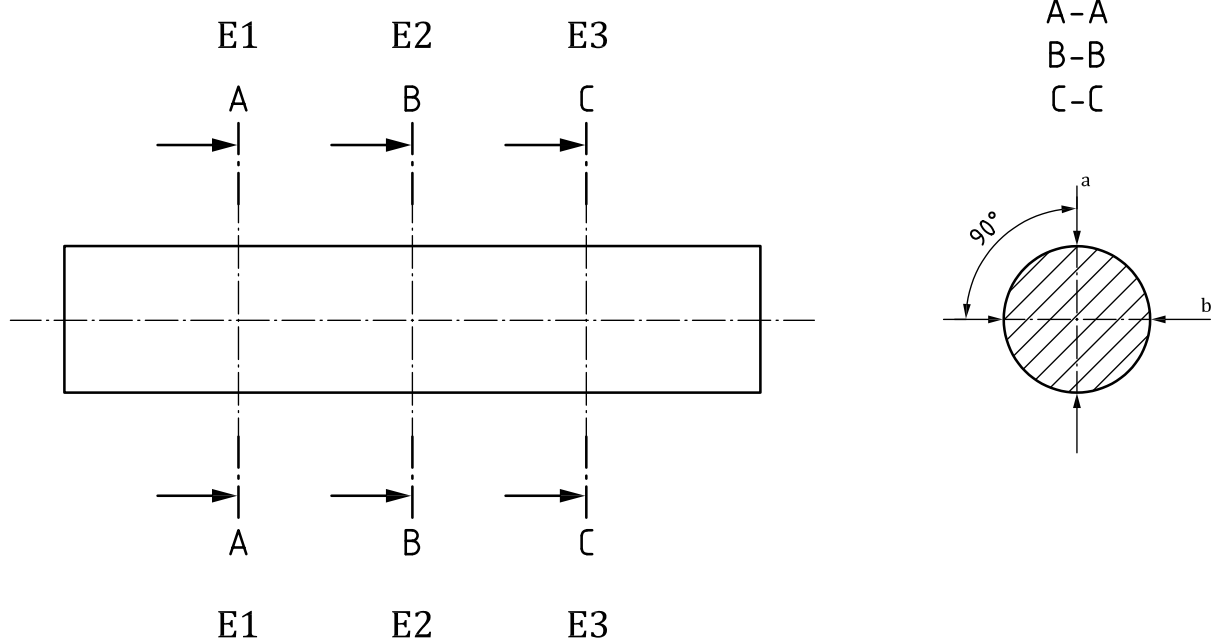
### 8.2 Determination of the difference of the actual diameters around a wire

The difference of actual diameters around a wire should be determined by measuring the highest and the lowest points in a 60° groove, e.g. a ground thread plug gauge under a suitable measuring head (see [Figure 2](#)).

The measuring positions of a wire are in the three planes, E1, E2, and E3 (see [Figure 1](#)).

When rotating the wire in a 60° groove, the difference between the maximum and minimum readings on the measuring instrument shall be taken and divided by 1,5. The calculated result shall not exceed the value of the maximum permissible difference specified.





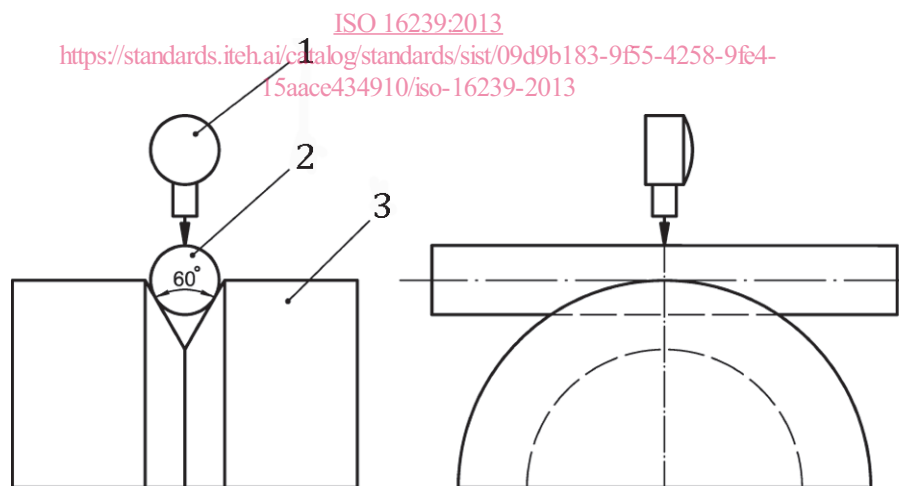
**Key**

E1, E2, E3 section planes of measurement

The three planes (E1, E2, and E3) are distributed evenly over the measuring axial length.

a, b Two local diameters in each section plane of measurement (E1, E2, or E3).

(standards.iteh.ai)  
**Figure 1 — Measuring positions**



**Key**

1 measuring instrument

2 wire

3 vee groove

**Figure 2 — Determination of the difference of the actual diameters around a wire in a 60° groove**