



SLOVENSKI STANDARD

SIST ISO 500-3:2015

01-april-2015

Nadomešča:
SIST ISO 500:1995

Kmetijski traktorji - Zadnja priključna gred tipov 1, 2, 3 in 4 - 3. del: Glavne mere PTO in mere utornih gredi, namestitvev PTO

Agricultural tractors - Rear-mounted power take-off types 1, 2, 3 and 4 - Part 3: Main PTO dimensions and spline dimensions, location of PTO

iTeh STANDARD PREVIEW
(standards.iteh.ai)

Tracteurs agricoles - Prises de force montées à l'arrière des types 1, 2, 3 et 4 - Partie 3: Dimensions principales de la prise de force et dimensions des cannelures, emplacement de la prise de force <https://standards.iteh.ai/catalog/standards/sist/ebc712c8-2bb5-4bc6-a6db-a76d4155c373/sist-iso-500-3-2015>

Ta slovenski standard je istoveten z: ISO 500-3:2014

ICS:

65.060.10 Kmetijski traktorji in prikolice Agricultural tractors and
trailed vehicles

SIST ISO 500-3:2015

en,fr

iTeh STANDARD PREVIEW
(standards.iteh.ai)

[SIST ISO 500-3:2015](#)

<https://standards.iteh.ai/catalog/standards/sist/ebc712c8-2bb5-4bc6-a6db-a76d4155c373/sist-iso-500-3-2015>

INTERNATIONAL
STANDARD

ISO
500-3

Second edition
2014-04-01

**Agricultural tractors — Rear-mounted
power take-off types 1, 2, 3 and 4 —**

**Part 3:
Main PTO dimensions and spline
dimensions, location of PTO**

iTeh STANDARD PREVIEW
(standards.iteh.ai)

*Tracteurs agricoles — Prises de force montées à l'arrière des types 1,
2, 3 et 4 —*

*Partie 3: Dimensions principales de la prise de force et dimensions des
cannelures, emplacement de la prise de force*

[SIST ISO 500-3:2015](https://standards.iteh.ai/catalog/standards/sist/ebc712c8-2bb5-4bc6-a6db-a76d4155c373/sist-iso-500-3-2015)

[https://standards.iteh.ai/catalog/standards/sist/ebc712c8-2bb5-4bc6-a6db-
a76d4155c373/sist-iso-500-3-2015](https://standards.iteh.ai/catalog/standards/sist/ebc712c8-2bb5-4bc6-a6db-a76d4155c373/sist-iso-500-3-2015)



Reference number
ISO 500-3:2014(E)

© ISO 2014

iTeh STANDARD PREVIEW
(standards.iteh.ai)

[SIST ISO 500-3:2015](https://standards.iteh.ai/catalog/standards/sist/ebc712c8-2bb5-4bc6-a6db-a76d4155c373/sist-iso-500-3-2015)

<https://standards.iteh.ai/catalog/standards/sist/ebc712c8-2bb5-4bc6-a6db-a76d4155c373/sist-iso-500-3-2015>



COPYRIGHT PROTECTED DOCUMENT

© ISO 2014

All rights reserved. Unless otherwise specified, no part of this publication may be reproduced or utilized otherwise in any form or by any means, electronic or mechanical, including photocopying, or posting on the internet or an intranet, without prior written permission. Permission can be requested from either ISO at the address below or ISO's member body in the country of the requester.

ISO copyright office
Case postale 56 • CH-1211 Geneva 20
Tel. + 41 22 749 01 11
Fax + 41 22 749 09 47
E-mail copyright@iso.org
Web www.iso.org

Published in Switzerland

Contents

	Page
Foreword	iv
1 Scope	1
2 Normative references	1
3 PTO location	1
4 Manufacturing requirements — Main PTO and spline dimensions	2
Bibliography	16

iTeh STANDARD PREVIEW (standards.iteh.ai)

[SIST ISO 500-3:2015](https://standards.iteh.ai/catalog/standards/sist/ebc712c8-2bb5-4bc6-a6db-a76d4155c373/sist-iso-500-3-2015)

<https://standards.iteh.ai/catalog/standards/sist/ebc712c8-2bb5-4bc6-a6db-a76d4155c373/sist-iso-500-3-2015>

ISO 500-3:2014(E)

Foreword

ISO (the International Organization for Standardization) is a worldwide federation of national standards bodies (ISO member bodies). The work of preparing International Standards is normally carried out through ISO technical committees. Each member body interested in a subject for which a technical committee has been established has the right to be represented on that committee. International organizations, governmental and non-governmental, in liaison with ISO, also take part in the work. ISO collaborates closely with the International Electrotechnical Commission (IEC) on all matters of electrotechnical standardization.

The procedures used to develop this document and those intended for its further maintenance are described in the ISO/IEC Directives, Part 1. In particular the different approval criteria needed for the different types of ISO documents should be noted. This document was drafted in accordance with the editorial rules of the ISO/IEC Directives, Part 2 (see www.iso.org/directives).

Attention is drawn to the possibility that some of the elements of this document may be the subject of patent rights. ISO shall not be held responsible for identifying any or all such patent rights. Details of any patent rights identified during the development of the document will be in the Introduction and/or on the ISO list of patent declarations received (see www.iso.org/patents).

Any trade name used in this document is information given for the convenience of users and does not constitute an endorsement.

For an explanation on the meaning of ISO specific terms and expressions related to conformity assessment, as well as information about ISO's adherence to the WTO principles in the Technical Barriers to Trade (TBT) see the following URL: Foreword - Supplementary information

The committee responsible for this document is ISO/TC 23, *Tractors and machinery for agriculture and forestry*, Subcommittee SC 4, *Tractors*.

This second edition cancels and replaces the first edition (ISO 500-3:2004), of which it constitutes a minor revision.

ISO 500 consists of the following parts, under the general title *Agricultural tractors — Rear-mounted power take-off types 1, 2, 3 and 4*:

- *Part 1: General specifications, safety requirements, dimensions for master shield and clearance zone*
- *Part 2: Narrow-track tractors, dimensions for master shield and clearance zone*
- *Part 3: Main PTO dimensions and spline dimensions, location of PTO*

Agricultural tractors — Rear-mounted power take-off types 1, 2, 3 and 4 —

Part 3: Main PTO dimensions and spline dimensions, location of PTO

1 Scope

This part of ISO 500 specifies the manufacturing requirements for, and the location of, rear-mounted power take-offs (PTOs) of types 1, 2, 3, and 4 on agricultural tractors.

2 Normative references

The following documents, in whole or in part, are normatively referenced in this document and are indispensable for its application. For dated references, only the edition cited applies. For undated references, the latest edition of the referenced document (including any amendments) applies.

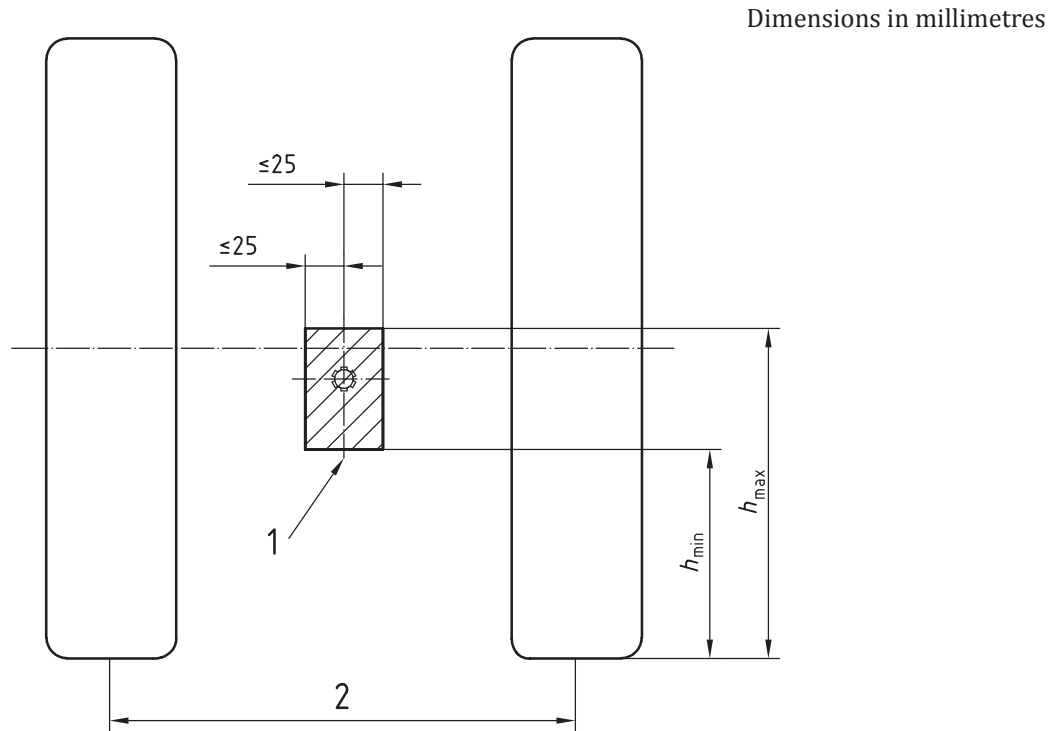
ISO 6508 (all parts), *Metallic materials — Rockwell hardness test*

3 PTO location

The location of the PTO axis shall lie within the shaded rectangle shown in [Figure 1](#) and in accordance with [Table 1](#), parallel to the longitudinal axis of the tractor and should be parallel to the ground within $\pm 3^\circ$.

The values of the dimension h are for normal agricultural applications (see [Figure 1](#) and [Table 1](#)). On tractors especially designed for high ground clearance, such as working in standing vegetable crops or sugar cane, h_{\max} , can exceed the given values. On agricultural tractors designed for low ground clearance, such as lawn mowing or ground care which require a low centre of gravity, for narrow-track tractors, and for track-laying tractors, h_{\min} , can be less than the given values.

For tractors that can accommodate multiple PTO types, h_{\max} shall be the value for the largest PTO type specified for the tractor.

**Key**

- 1 centre line of tractor
2 track width

iTeh STANDARD PREVIEW
(standards.iteh.ai)

Figure 1 — PTO location

<https://standards.iteh.ai/catalog/standards/sist/ebc712c8-2bb5-4bc6-a6db-a76d4155c373/sist-iso-500-3-2015>

Table 1 — PTO location

Dimensions in millimetres

PTO type	h_{\min}	h_{\max}
1	480	800
2	530	900
3	600	1 000
4	600	1 000

4 Manufacturing requirements — Main PTO and spline dimensions

The dimensions of the rear PTO on agricultural tractors and the mating part of the PTO drive shaft shall comply with:

- [Figure 2](#) and [Table 2](#), for PTO dimensions;
- [Figure 3](#) and [Table 3](#), for external, straight-sided spline dimensions — Type 1;
- [Figure 4](#) and [Table 4](#), for internal straight-sided spline dimensions — Type 1;
- [Figure 5](#) and [Table 5](#), for external, involute spline dimensions — Type 2;
- [Figure 6](#) and [Table 6](#), for internal, involute spline dimensions — Type 2;
- [Figure 7](#) and [Table 7](#), for external, involute spline dimensions — Type 3;

- [Figure 8](#) and [Table 8](#), for internal, involute spline dimensions — Type 3;
- [Figure 9](#) and [Table 9](#), for external, involute spline dimensions — Type 4;
- [Figure 10](#) and [Table 10](#), for internal, involute spline dimensions — Type 4.

The hardened portion of the splines shall have a minimum surface hardness of 48 HRC when tested in accordance with ISO 6508 (all parts).

NOTE For general spline information, including inspection, see ISO 4156 (all parts).

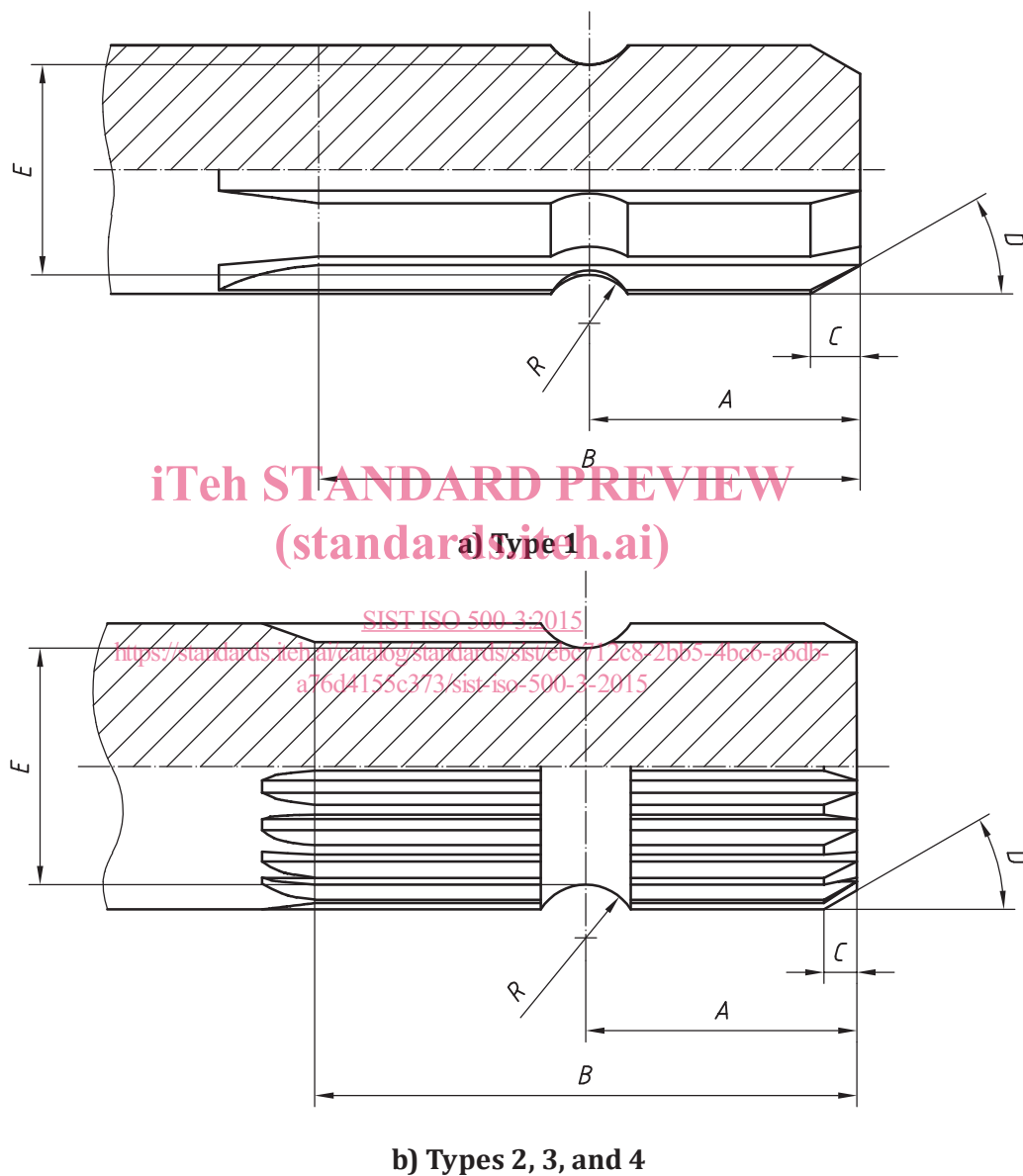


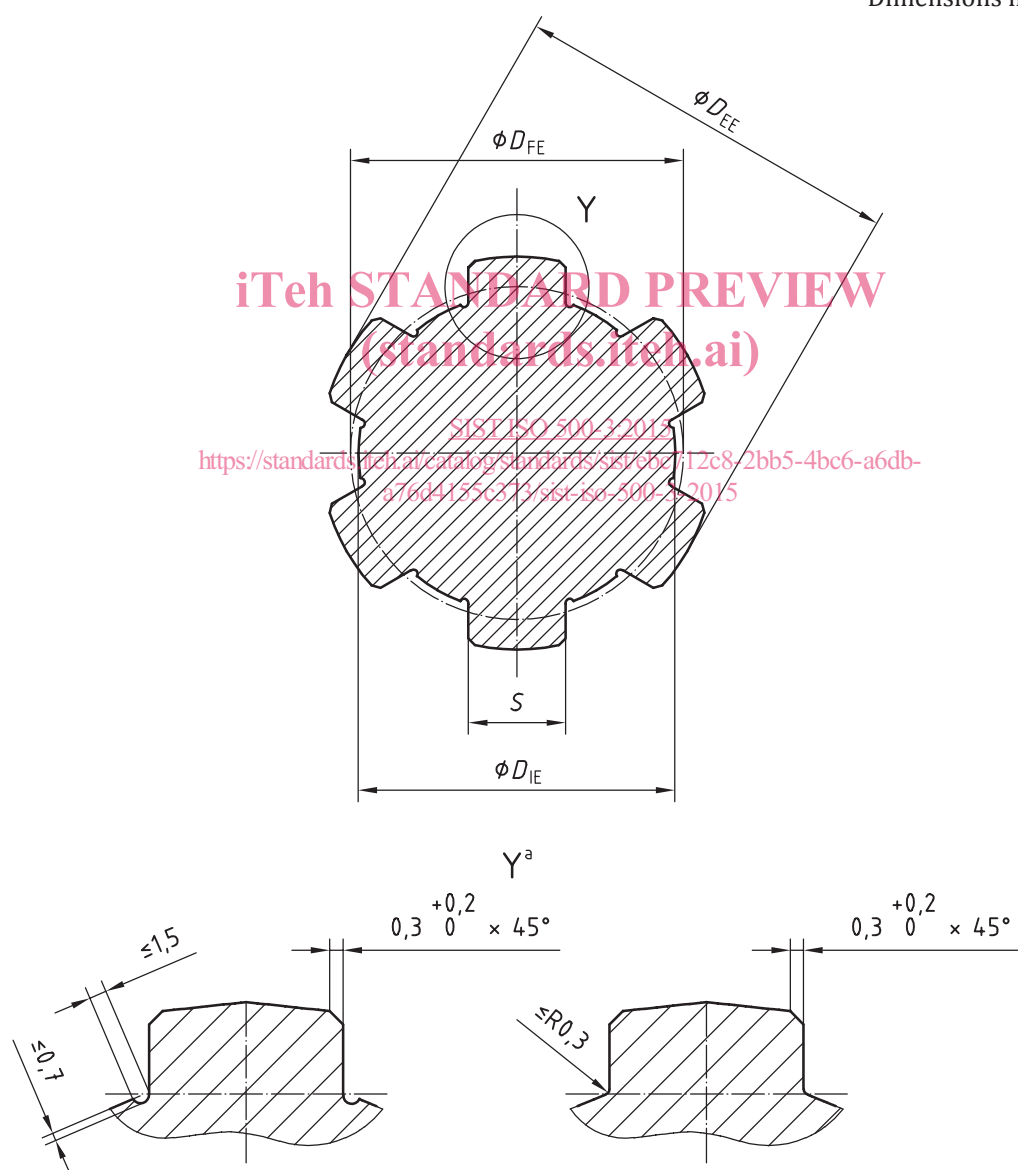
Figure 2 — PTO dimensions

Table 2 — PTO dimensions

Dimensions in millimetres

Dimensions		Type 1	Type 2	Type 3	Type 4
A	Groove to end of shaft	$38 \pm 0,8$	$25,5 \pm 0,8$	$38 \pm 0,8$	$50 \pm 0,8$
B	Effective spline length and hardened portion	≥ 76	≥ 64	≥ 89	≥ 100
C	Chamfer	$6 \begin{smallmatrix} +1 \\ 0 \end{smallmatrix}$	$5 \begin{smallmatrix} +1 \\ 0 \end{smallmatrix}$	$6 \begin{smallmatrix} +1 \\ 0 \end{smallmatrix}$	$8 \begin{smallmatrix} +1 \\ 0 \end{smallmatrix}$
D	Chamfer angle	$30^\circ \pm 3^\circ$	$30^\circ \pm 3^\circ$	$30^\circ \pm 3^\circ$	$30^\circ \pm 3^\circ$
E	ID of groove	$29,40 \pm 0,1$	$29,40 \pm 0,1$	$37,25 \pm 0,1$	$48 \pm 0,1$
R	Radius of groove	$6,8 \pm 0,25$	$6,8 \pm 0,25$	$8,4 \pm 0,25$	$10,4 \pm 0,25$

Dimensions in millimetres



Key

a Optional.

Figure 3 — External, straight-sided spline dimensions — Type 1

Table 3 — External, straight-sided spline dimensions — Type 1

Dimensions in millimetres

Dimension	Symbol	Value
Number of teeth	Z	6
Major diameter	D_{EE}	$34,87 \begin{smallmatrix} 0 \\ -0,12 \end{smallmatrix}$
Form diameter	D_{FE}	$\leq 30,00$
Minor diameter	D_{IE}	$29,00 \begin{smallmatrix} 0 \\ -0,10 \end{smallmatrix}$
Tooth thickness max. eff.	S_{Vmax}	8,64
Tooth thickness max. act. REF	S_{max}	(8,60)
Tooth thickness min. act.	S_{min}	8,51
Allowed form variations	Composite GO gage has priority	
Total profile variation	F_F	0,020
Total lead variation	F_B	0,015
Total index variation	F_P	0,040

iTeh STANDARD PREVIEW
(standards.iteh.ai)

[SIST ISO 500-3:2015](https://standards.iteh.ai/catalog/standards/sist/ebc712c8-2bb5-4bc6-a6db-a76d4155c373/sist-iso-500-3-2015)

<https://standards.iteh.ai/catalog/standards/sist/ebc712c8-2bb5-4bc6-a6db-a76d4155c373/sist-iso-500-3-2015>