

ISO

House

INTERNATIONAL ORGANIZATION FOR STANDARDIZATION

ISO RECOMMENDATION
R 269

SIZES OF CORRESPONDENCE ENVELOPES AND POCKETS

1st EDITION

August 1962

COPYRIGHT RESERVED

The copyright of ISO Recommendations and ISO Standards belongs to ISO Member Bodies. Reproduction of these documents, in any country, may be authorized therefore only by the national standards organization of that country, being a member of ISO.

For each individual country the only valid standard is the national standard of that country.

Printed in Switzerland

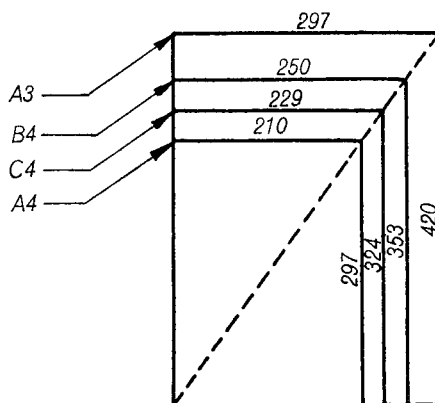
Also issued in French and Russian. Copies to be obtained through the national standards organizations.

FOREWORD

In view of the development of ISO Recommendation R 216 relating to *Trimmed Sizes of Writing Paper and Certain Classes of Printed Matter*, it has been considered desirable to prepare an ISO Recommendation for the *Sizes of Correspondence Envelopes and Pockets* suitable for use with the principal sizes of paper in that ISO Recommendation.

(Dimensions in millimetres)

The general principles underlying the development of the ISO-A and ISO-B Series of paper sizes can also be applied to the correspondence envelopes and pockets to contain papers in these sizes (as will be seen from the figure on the right), especially if the sizes of an intermediate series, known as the C Series, are introduced between sizes in the ISO-A and ISO-B Series.



The sizes of this intermediate C Series are as follows:

Symbols	Sizes	
	millimetres	inches
C0	917 × 1297	36.10 × 51.06
C1	648 × 917	25.51 × 36.10
C2	458 × 648	18.03 × 25.51
C3	324 × 458	12.76 × 18.03
C4	229 × 324	9.02 × 12.76
C5	162 × 229	6.38 × 9.02
C6	114 × 162	4.49 × 6.38
C7	81 × 114	3.19 × 4.49
C8	57 × 81	2.24 × 3.19
—	— —	— —
—	— —	— —

In practice, it is not necessary to have available every one of the C Series sizes. In fact, papers are folded in many different ways and therefore some adjustment is necessary. This ISO Recommendation takes account both of the underlying principles and of practical necessities.

SIZES OF CORRESPONDENCE ENVELOPES AND POCKETS

1. SCOPE

This ISO Recommendation covers sizes and designations of correspondence envelopes and pockets intended for postal purposes. It does not contain any specification as to the ways of closing them.

2. DESIGNATION

- 2.1 Correspondence envelopes and pockets should be designated by a reference to type (see clause 2.2), followed by an indication of size (see clause 2.3).
- 2.2 The *type* should be indicated according to the following principles:
 if the opening is on the longer side * : "banker shape" (French: "enveloppe");
 if the opening is on the shorter side **: "pocket shape" (French: "pochette").
- 2.3 The *size* is expressed either by the size symbol (see section 3), followed by the letters ISO, or by its two dimensions in millimetres, giving the smaller dimension first.
- 2.4 Examples of designation:
 Banker shape, C4—ISO,
 Pocket shape, 229×324.

3. SIZES

For postal purposes, it is recommended that the following sizes of correspondence envelopes and pockets be used, which are suitable for ISO paper sizes according to ISO Recommendation R 216, *Trimmed Sizes of Writing Paper and Certain Classes of Printed Matter*.

Symbols	Sizes	
	millimetres	inches
C3	324 × 458	12.76 × 18.03
B4	250 × 353	9.84 × 13.90
C4	229 × 324	9.02 × 12.76
B5	176 × 250	6.93 × 9.84
C5	162 × 229	6.38 × 9.02
B6/C4	125 × 324	4.92 × 12.76
B6	125 × 176	4.92 × 6.93
C6	114 × 162	4.49 × 6.38
DL***	110 × 220	4.33 × 8.66
C7/6	81 × 162	3.19 × 6.38
C7	81 × 114	3.19 × 4.49

4. TOLERANCES

The deviations permissible on dimensions are : ± 1.5 mm (± 0.06 in).

* In certain English-speaking countries, this shape is known as the "open side" (French: "côté ouvert").

** In certain English-speaking countries, this shape is known as the "open end" (French: "bout ouvert").

*** DL = Dimension Lengthwise.