

First edition
2002-03-01

AMENDMENT 1
2012-06-01

**Road construction and maintenance
equipment — Bituminous binder
spreaders/sprayers — Terminology and
commercial specifications**

AMENDMENT 1

*Équipement pour la construction et l'entretien des routes —
Épandeurs/pulvérisatrices de liants bitumineux — Terminologie et
spécifications commerciales*

AMENDEMENT 1

[ISO 15643:2002/Amd 1:2012](https://standards.iso.org/iso-15643-2002-amd-1-2012)

<https://standards.iteh.ai/catalog/standards/sist/86f0b5db-0566-4b09-bf34-d9d52459a891/iso-15643-2002-amd-1-2012>



Reference number
ISO 15643:2002/Amd.1:2012(E)

© ISO 2012

iTeh STANDARD PREVIEW
(standards.iteh.ai)

[ISO 15643:2002/Amd 1:2012](https://standards.iteh.ai/catalog/standards/sist/86f0b5db-0566-4b09-bf34-d9d52459a891/iso-15643-2002-amd-1-2012)
<https://standards.iteh.ai/catalog/standards/sist/86f0b5db-0566-4b09-bf34-d9d52459a891/iso-15643-2002-amd-1-2012>



COPYRIGHT PROTECTED DOCUMENT

© ISO 2012

All rights reserved. Unless otherwise specified, no part of this publication may be reproduced or utilized in any form or by any means, electronic or mechanical, including photocopying and microfilm, without permission in writing from either ISO at the address below or ISO's member body in the country of the requester.

ISO copyright office
Case postale 56 • CH-1211 Geneva 20
Tel. + 41 22 749 01 11
Fax + 41 22 749 09 47
E-mail copyright@iso.org
Web www.iso.org

Published in Switzerland

Foreword

ISO (the International Organization for Standardization) is a worldwide federation of national standards bodies (ISO member bodies). The work of preparing International Standards is normally carried out through ISO technical committees. Each member body interested in a subject for which a technical committee has been established has the right to be represented on that committee. International organizations, governmental and non-governmental, in liaison with ISO, also take part in the work. ISO collaborates closely with the International Electrotechnical Commission (IEC) on all matters of electrotechnical standardization.

International Standards are drafted in accordance with the rules given in the ISO/IEC Directives, Part 2.

The main task of technical committees is to prepare International Standards. Draft International Standards adopted by the technical committees are circulated to the member bodies for voting. Publication as an International Standard requires approval by at least 75 % of the member bodies casting a vote.

Attention is drawn to the possibility that some of the elements of this document may be the subject of patent rights. ISO shall not be held responsible for identifying any or all such patent rights.

Amendment 1 to ISO 15643:2002 was prepared by Technical Committee ISO/TC 195, *Building construction machinery and equipment*.

iTeh STANDARD PREVIEW (standards.iteh.ai)

[ISO 15643:2002/Amd 1:2012](https://standards.iteh.ai/catalog/standards/sist/86f0b5db-0566-4b09-bf34-d9d52459a891/iso-15643-2002-amd-1-2012)

<https://standards.iteh.ai/catalog/standards/sist/86f0b5db-0566-4b09-bf34-d9d52459a891/iso-15643-2002-amd-1-2012>

iTeh STANDARD PREVIEW
(standards.iteh.ai)

[ISO 15643:2002/Amd 1:2012](https://standards.iteh.ai/catalog/standards/sist/86f0b5db-0566-4b09-bf34-d9d52459a891/iso-15643-2002-amd-1-2012)

<https://standards.iteh.ai/catalog/standards/sist/86f0b5db-0566-4b09-bf34-d9d52459a891/iso-15643-2002-amd-1-2012>

Road construction and maintenance equipment — Bituminous binder spreaders/sprayers — Terminology and commercial specifications

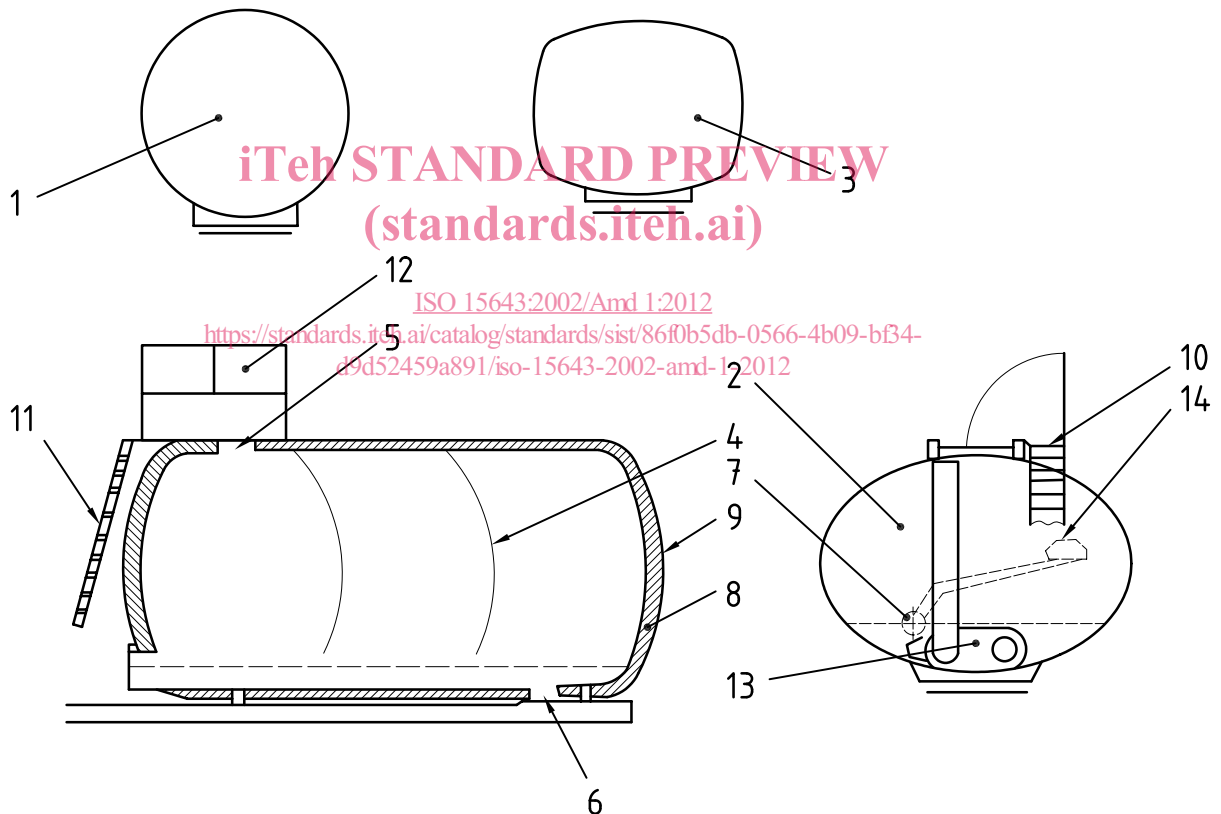
AMENDEMENT 1

Page 1, Clause 1

In the first paragraph of the Scope, replace “soil stabilizers” with “bituminous binder spreaders/sprayers”.

Page 6, 4.3.2

Replace Figure 2 by the following, thereby correcting the indication of item 7:



Key

- | | |
|-------------------------------------|---|
| 1 circular tank | 8 thickness of thermal insulation |
| 2 elliptical tank | 9 thermal insulation |
| 3 prismatic tank with round corners | 10 access platform |
| 4 wash plate partition | 11 ladder for access to inspection hole |
| 5 inspection hole | 12 guard rail |
| 6 cleaning orifice | 13 heating device |
| 7 level indicator | 14 detector for minimum/maximum level of binder |

Page 9, 4.6

In the characteristics list point “pressure in the bar during operation”, replace “Mpa” with “MPa”.

iTeh STANDARD PREVIEW
(standards.iteh.ai)

[ISO 15643:2002/Amd 1:2012](https://standards.iteh.ai/catalog/standards/sist/86f0b5db-0566-4b09-bf34-d9d52459a891/iso-15643-2002-amd-1-2012)
<https://standards.iteh.ai/catalog/standards/sist/86f0b5db-0566-4b09-bf34-d9d52459a891/iso-15643-2002-amd-1-2012>

ICS 93.080.10

Price based on 1 page