

# SLOVENSKI STANDARD

## SIST EN 3545-005:2015

01-februar-2015

Nadomešča:

SIST EN 3545-005:2009

---

**Aeronavtika - Konektorji, električni, pravokotni, s tesnilno kapo ali brez nje, plastično ohišje, zaporni mehanizem, delovna temperatura med  $-55\text{ °C}$  in  $175\text{ °C}$  - 005. del: Ženska doza/puša in sistem za pritrditev na gibljivo ohišje (vtič) - Standard za proizvod**

Aerospace series - Connectors, electrical, rectangular, with sealed and non-sealed rear, plastic housing, locking device, operating temperatures  $-55\text{ °C}$  to  $175\text{ °C}$  - Part 005: Female coding and attachment System for mounting on free housing (plug) - Product standard

(standards.iteh.ai)

Luft- und Raumfahrt - Elektrische Rechtecksteckverbinder mit und ohne hintere Abdichtung, Plastikgehäuse, Verriegelungssystem, Betriebstemperaturen von  $-55\text{ °C}$  bis  $175\text{ °C}$  - Teil 005: Buchsenkodierung und Befestigungszubehör für ein bewegliches Gehäuse (Stecker) - ProduktnormEinführendes Element

Série aérospatiale - Connecteurs électriques, rectangulaires, étanches et non étanches à l'arrière, à boîtier en plastique, à verrouillage, températures d'utilisation  $-55\text{ °C}$  à  $175\text{ °C}$  - Partie 005: Système de fixation et de codage femelle pour montage sur boîtier mobile (fiche) - Norme de produit

**Ta slovenski standard je istoveten z: EN 3545-005:2014**

---

**ICS:**

49.060	Letalska in vesoljska električna oprema in sistemi	Aerospace electric equipment and systems
--------	--	--

**SIST EN 3545-005:2015**

**en,fr,de**

**iTeh STANDARD PREVIEW**  
**(standards.iteh.ai)**

SIST EN 3545-005:2015

<https://standards.iteh.ai/catalog/standards/sist/e0a84c58-f15b-4b71-9103-bd8597635fb9/sist-en-3545-005-2015>

EUROPEAN STANDARD

**EN 3545-005**

NORME EUROPÉENNE

EUROPÄISCHE NORM

December 2014

ICS 49.060

Supersedes EN 3545-005:2006

English Version

**Aerospace series - Connectors, electrical, rectangular, with sealed and non-sealed rear, plastic housing, locking device, operating temperatures -55 °C to 175 °C - Part 005: Female coding and attachment System for mounting on free housing (plug) - Product standard**

Série aérospatiale - Connecteurs électriques, rectangulaires, étanches et non étanches à l'arrière, à boîtier en plastique, à verrouillage, températures d'utilisation -55 °C à 175 °C - Partie 005: Système de fixation et de codage femelle pour montage sur boîtier mobile (fiche) - Norme de produit

Luft- und Raumfahrt - Elektrische Rechtecksteckverbinder mit und ohne hintere Abdichtung, Plastikgehäuse, Verriegelungssystem, Betriebstemperaturen von -55 °C bis 175 °C - Teil 005: Buchsenkodierung und Befestigungszubehör für ein bewegliches Gehäuse (Stecker)

**iTeh STANDARD PREVIEW**

This European Standard was approved by CEN on 22 November 2014.

CEN members are bound to comply with the CEN/CENELEC Internal Regulations which stipulate the conditions for giving this European Standard the status of a national standard without any alteration. Up-to-date lists and bibliographical references concerning such national standards may be obtained on application to the CEN-CENELEC Management Centre or to any CEN member.

This European Standard exists in three official versions (English, French, German). A version in any other language made by translation under the responsibility of a CEN member into its own language and notified to the CEN-CENELEC Management Centre has the same status as the official versions.

CEN members are the national standards bodies of Austria, Belgium, Bulgaria, Croatia, Cyprus, Czech Republic, Denmark, Estonia, Finland, Former Yugoslav Republic of Macedonia, France, Germany, Greece, Hungary, Iceland, Ireland, Italy, Latvia, Lithuania, Luxembourg, Malta, Netherlands, Norway, Poland, Portugal, Romania, Slovakia, Slovenia, Spain, Sweden, Switzerland, Turkey and United Kingdom.



EUROPEAN COMMITTEE FOR STANDARDIZATION  
COMITÉ EUROPÉEN DE NORMALISATION  
EUROPÄISCHES KOMITEE FÜR NORMUNG

**CEN-CENELEC Management Centre: Avenue Marnix 17, B-1000 Brussels**

## Contents

	Page
Foreword.....	3
1 Scope .....	4
2 Normative references .....	4
3 Terms and definitions .....	4
4 Required characteristics .....	4
4.1 Dimensions, mass .....	4
4.2 Material, surface treatment .....	6
4.3 Main general characteristics .....	6
5 Designation .....	7
6 Technical specification .....	7

## iTeh STANDARD PREVIEW (standards.iteh.ai)

[SIST EN 3545-005:2015](https://standards.iteh.ai/catalog/standards/sist/e0a84c58-f15b-4b71-9103-bd8597635fb9/sist-en-3545-005-2015)

<https://standards.iteh.ai/catalog/standards/sist/e0a84c58-f15b-4b71-9103-bd8597635fb9/sist-en-3545-005-2015>

## Foreword

This document (EN 3545-005:2014) has been prepared by the Aerospace and Defence Industries Association of Europe - Standardization (ASD-STAN).

After enquiries and votes carried out in accordance with the rules of this Association, this Standard has received the approval of the National Associations and the Official Services of the member countries of ASD, prior to its presentation to CEN.

This document supersedes EN 3545-005:2006.

This European Standard shall be given the status of a national standard, either by publication of an identical text or by endorsement, at the latest by June 2015, and conflicting national standards shall be withdrawn at the latest by June 2015.

Attention is drawn to the possibility that some of the elements of this document may be the subject of patent rights. CEN [and/or CENELEC] shall not be held responsible for identifying any or all such patent rights.

According to the CEN-CENELEC Internal Regulations, the national standards organizations of the following countries are bound to implement this European Standard: Austria, Belgium, Bulgaria, Croatia, Cyprus, Czech Republic, Denmark, Estonia, Finland, Former Yugoslav Republic of Macedonia, France, Germany, Greece, Hungary, Iceland, Ireland, Italy, Latvia, Lithuania, Luxembourg, Malta, Netherlands, Norway, Poland, Portugal, Romania, Slovakia, Slovenia, Spain, Sweden, Switzerland, Turkey and the United Kingdom.

(standards.iteh.ai)

[SIST EN 3545-005:2015](https://standards.iteh.ai/catalog/standards/sist/e0a84c58-f15b-4b71-9103-bd8597635fb9/sist-en-3545-005-2015)

<https://standards.iteh.ai/catalog/standards/sist/e0a84c58-f15b-4b71-9103-bd8597635fb9/sist-en-3545-005-2015>

**EN 3545-005:2014 (E)****1 Scope**

This European Standard specifies the female coding and attachment system for mounting on free housing in the family of rectangular electrical connectors with sealed and non-sealed rear, plastic housing, locking device, for operating temperatures from  $-55\text{ }^{\circ}\text{C}$  to  $175\text{ }^{\circ}\text{C}$ .

**2 Normative references**

The following documents, in whole or in part, are normatively referenced in this document and are indispensable for its application. For dated references, only the edition cited applies. For undated references, the latest edition of the referenced document (including any amendments) applies.

EN 3545-001, *Aerospace series — Connectors, electrical, rectangular, with sealed and non-sealed rear, plastic housing, locking device, operating temperatures  $-55\text{ }^{\circ}\text{C}$  to  $175\text{ }^{\circ}\text{C}$  — Part 001: Technical specification*

EN 3545-002, *Aerospace series — Connectors, electrical, rectangular, with sealed and non-sealed rear, plastic housing, locking device, operating temperatures  $-55\text{ }^{\circ}\text{C}$  to  $175\text{ }^{\circ}\text{C}$  — Part 002: Specification of performance and contact arrangements*

FED-STD-H28/2A:1978, *Screw thread standards for federal services* <sup>1)</sup>

**3 Terms and definitions**

For the purposes of this document, the terms and definitions given in EN 3545-001 apply.

**4 Required characteristics****4.1 Dimensions, mass**

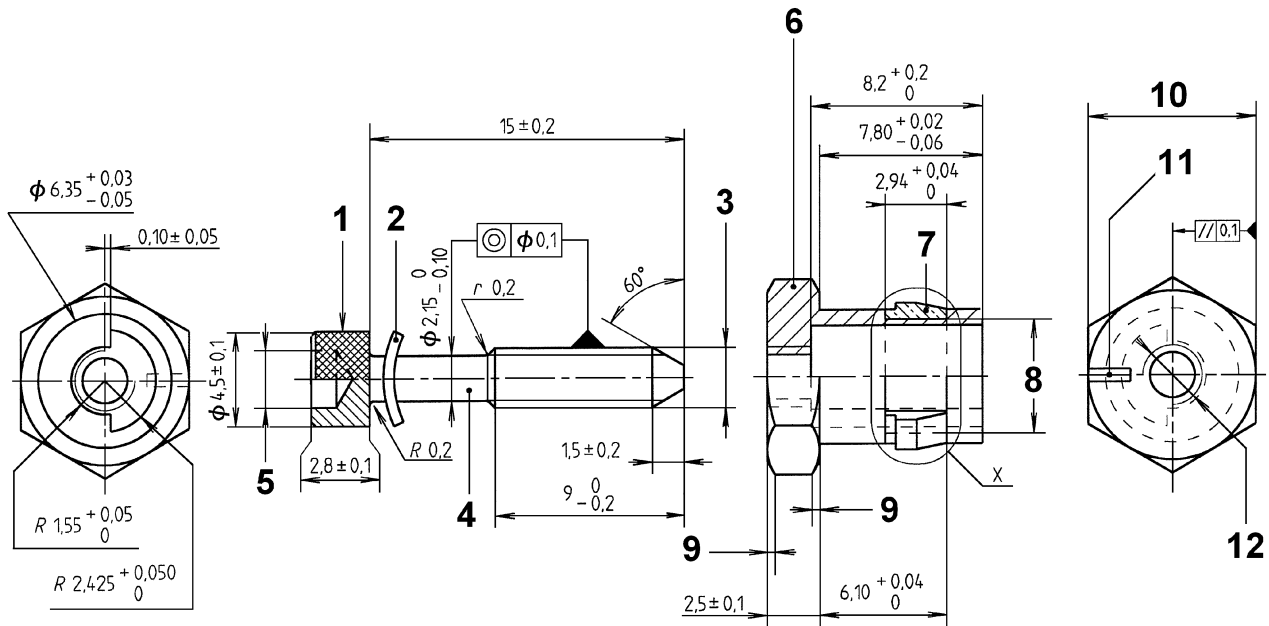
The dimensions of attachment system are given in Figure 1.

Dimensions and tolerances are in millimetres.

Mass: 3 g max.

---

<sup>1)</sup> DoD National (US) Mil. Department of Defense (<http://www.defenselink.mil/>).



### Key

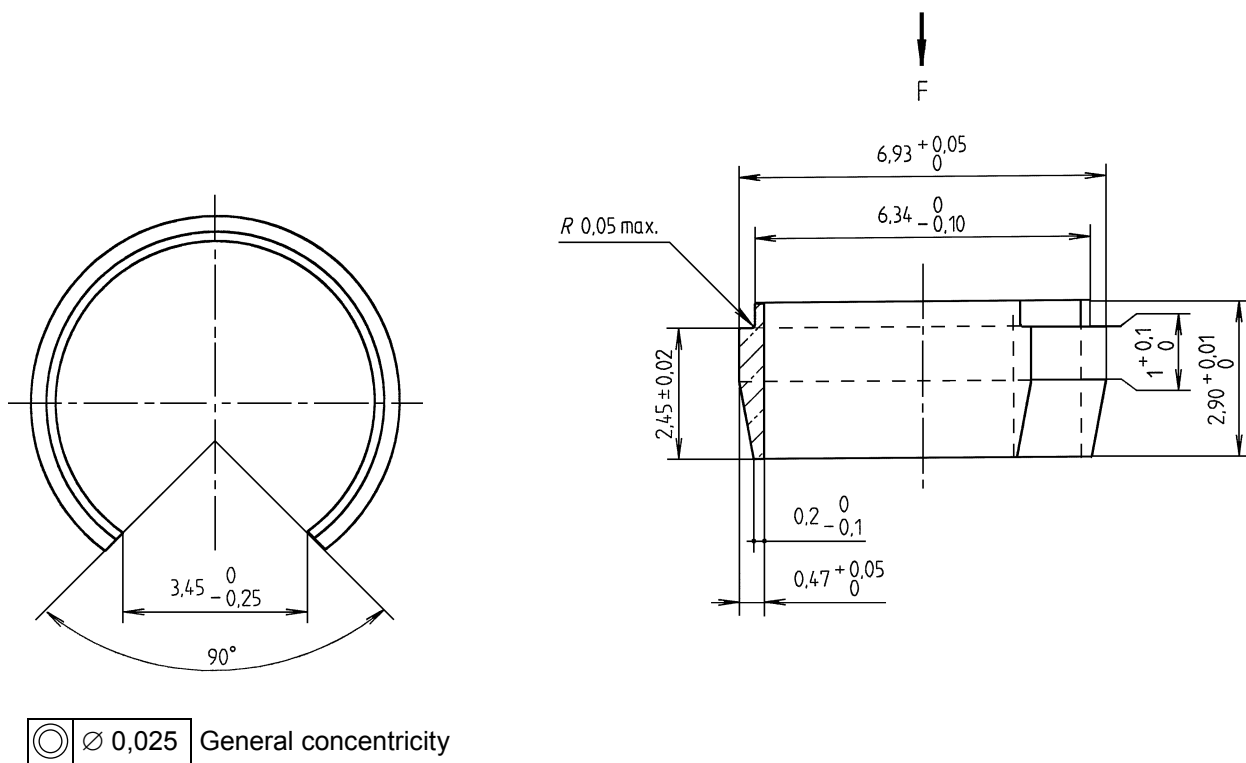
- 1 Optional knurling
- 2 Washer M 2,5
- 3  $\text{\O} 0.1120$  inch - 40 UNC-3A according to FED-STD-H28
- 4 Captive screw
- 5 6 recessed flats  $2,38^{+0,06}_0$
- 6 Female body
- 7 Retaining ring
- 8  $\text{\O} 5,40^{+0,05}_0$  (groove)
- 9 0,3 to 0,4 at  $30^\circ$
- 10 6 flats  $8,0^{+0,05}_{-0,10}$
- 11 Position indicator (recessed line)
- 12  $\text{\O} 0.1120$  inch - 40 UNC-3B according to FED-STD-H28

**iTeh STANDARD PREVIEW**  
(standards.iteh.ai)

SIST EN 3545-005:2015

<https://standards.iteh.ai/catalog/standards/sist/e0a84c58-f15b-4b71-9103-bd8597635fb9/sist-en-3545-005-2015>

**Figure 1 — Female coding and attachment system**



View on F

**iTeh STANDARD PREVIEW**  
 (standards.iteh.ai)

Retaining ring  
Detail X

Figure 2 — Retaining ring

SIST EN 3545-005:2015

#### 4.2 Material, surface treatment

<https://standards.iteh.ai/catalog/standards/sist/e0a84c58-f15b-4b71-9103-bd8597635fb9/sist-en-3545-005-2015>

Body: steel, cadmium-plated, dichromate sealed

Retaining ring: beryllium copper, cadmium-plated, dichromate sealed

#### 4.3 Main general characteristics

See EN 3545-002.

Tightening torque of the locking screw: 0,06 daN·m to 0,10 daN·m