

SLOVENSKI STANDARD
SIST EN 3645-003:2015**01-april-2015****Nadomešča:****SIST EN 3645-003:2009**

Aeronavtika - Konektorji, električni, okrogli, zaščiteni kontakt, hitra spojka z navojem, stalna delovna temperatura 175 °C ali 200 °C - 003. del: Spojnik s kvadratno montažno prirobnico - Standard za proizvod

Aerospace series - Connectors, electrical, circular, scoop-proof, triple start threaded coupling, operating temperature 175 °C or 200 °C continuous - Part 003: Receptacle square flange mounting - Product standard

ITEH STANDARD PREVIEW
(standards.iteh.ai)

Luft- und Raumfahrt - Elektrische Rundsteckverbinder, kontaktgeschützt, dreigängige Gewinde-Schnellkupplung, Betriebstemperatur 175 °C oder 200 °C konstant - Teil 003: Fester Steckverbinder mit quadratischem Montageflansch - Produktnorm

<https://standards.iteh.ai/catalog/standards/sist/03a3ede5-5d65-4fcc-b789-c698a95d9703/sist-en-3645-003-2015>

Série aérospatiale - Connecteurs électriques circulaires à contacts protégés, à accouplement par filetage à pas rapide à trois filets, températures d'utilisation 175 °C ou 200 °C continu - Partie 003: Embase à fixation par collerette carrée - Norme de produit

Ta slovenski standard je istoveten z: EN 3645-003:2015

ICS:

49.060	Letalska in vesoljska električna oprema in sistemi	Aerospace electric equipment and systems
--------	--	--

SIST EN 3645-003:2015**en,fr,de**

iTeh STANDARD PREVIEW
(standards.iteh.ai)

[SIST EN 3645-003:2015](#)

<https://standards.iteh.ai/catalog/standards/sist/03a3ede5-5d65-4fce-b789-c698a95d9703/sist-en-3645-003-2015>

EUROPEAN STANDARD

EN 3645-003

NORME EUROPÉENNE

EUROPÄISCHE NORM

February 2015

ICS 49.060

Supersedes EN 3645-003:2006

English Version

**Aerospace series - Connectors, electrical, circular, scoop-proof,
triple start threaded coupling, operating temperature 175 °C or
200 °C continuous - Part 003: Receptacle square flange
mounting - Product standard**

Série aérospatiale - Connecteurs électriques circulaires à contacts protégés, à accouplement par filetage à pas rapide à trois filets, températures d'utilisation 175 °C ou 200 °C continu - Partie 003: Embase à fixation par colerette carrée - Norme de produit

Luft- und Raumfahrt - Elektrische Rundsteckverbinder, kontaktgeschützt, dreigängige Gewinde-Schnellkupplung, Betriebstemperatur 175 °C oder 200 °C konstant - Teil 003: Fester Steckverbinder mit quadratischem Montageflansch - Produktnorm

This European Standard was approved by CEN on 5 December 2014.

CEN members are bound to comply with the CEN/CENELEC Internal Regulations which stipulate the conditions for giving this European Standard the status of a national standard without any alteration. Up-to-date lists and bibliographical references concerning such national standards may be obtained on application to the CEN-CENELEC Management Centre or to any CEN member.

This European Standard exists in three official versions (English, French, German). A version in any other language made by translation under the responsibility of a CEN member into its own language and notified to the CEN-CENELEC Management Centre has the same status as the official versions.

CEN members are the national standards bodies of Austria, Belgium, Bulgaria, Croatia, Cyprus, Czech Republic, Denmark, Estonia, Finland, Former Yugoslav Republic of Macedonia, France, Germany, Greece, Hungary, Iceland, Ireland, Italy, Latvia, Lithuania, Luxembourg, Malta, Netherlands, Norway, Poland, Portugal, Romania, Slovakia, Slovenia, Spain, Sweden, Switzerland, Turkey and United Kingdom.



EUROPEAN COMMITTEE FOR STANDARDIZATION
COMITÉ EUROPÉEN DE NORMALISATION
EUROPÄISCHES KOMITEE FÜR NORMUNG

CEN-CENELEC Management Centre: Avenue Marnix 17, B-1000 Brussels

Contents

	Page
Foreword.....	3
1 Scope	4
2 Normative references	4
3 Terms and definitions	4
4 Required characteristics	5
5 Designation	8
6 Marking	9
7 Technical specification	9

iTeh STANDARD PREVIEW
(standards.iteh.ai)

[SIST EN 3645-003:2015](https://standards.iteh.ai/catalog/standards/sist/03a3ede5-5d65-4fce-b789-c698a95d9703/sist-en-3645-003-2015)

<https://standards.iteh.ai/catalog/standards/sist/03a3ede5-5d65-4fce-b789-c698a95d9703/sist-en-3645-003-2015>

Foreword

This document (EN 3645-003:2015) has been prepared by the Aerospace and Defence Industries Association of Europe - Standardization (ASD-STAN).

After enquiries and votes carried out in accordance with the rules of this Association, this Standard has received the approval of the National Associations and the Official Services of the member countries of ASD, prior to its presentation to CEN.

This European Standard shall be given the status of a national standard, either by publication of an identical text or by endorsement, at the latest by August 2015, and conflicting national standards shall be withdrawn at the latest by August 2015.

Attention is drawn to the possibility that some of the elements of this document may be the subject of patent rights. CEN [and/or CENELEC] shall not be held responsible for identifying any or all such patent rights.

This document supersedes EN 3645-003:2006.

According to the CEN-CENELEC Internal Regulations, the national standards organizations of the following countries are bound to implement this European Standard: Austria, Belgium, Bulgaria, Croatia, Cyprus, Czech Republic, Denmark, Estonia, Finland, Former Yugoslav Republic of Macedonia, France, Germany, Greece, Hungary, Iceland, Ireland, Italy, Latvia, Lithuania, Luxembourg, Malta, Netherlands, Norway, Poland, Portugal, Romania, Slovakia, Slovenia, Spain, Sweden, Switzerland, Turkey and the United Kingdom.

[SIST EN 3645-003:2015](https://standards.iteh.ai/catalog/standards/sist/03a3ede5-5d65-4fce-b789-c698a95d9703/sist-en-3645-003-2015)

<https://standards.iteh.ai/catalog/standards/sist/03a3ede5-5d65-4fce-b789-c698a95d9703/sist-en-3645-003-2015>

EN 3645-003:2015 (E)**1 Scope**

This European Standard specifies the characteristics of square flange mounted receptacles in the family of circular electrical connectors with triple start threaded coupling.

It applies to models in Table 3.

For contacts, sealing plugs and cable outlet accessories associated with this receptacle see EN 3645-002. For plugs and protective covers, see EN 3645-008, EN 3645-011, EN 3645-012 and EN 3645-006 respectively.

These connectors are derived from and are interchangeable with those in standard MIL-DTL-38999/20.

2 Normative references

The following documents, in whole or in part, are normatively referenced in this document and are indispensable for its application. For dated references, only the edition cited applies. For undated references, the latest edition of the referenced document (including any amendments) applies.

EN 3645-001, *Aerospace series — Connectors, electrical, circular, scoop-proof, triple start threaded coupling, operating temperature 175 °C or 200 °C continuous — Part 001: Technical specification*

EN 3645-002, *Aerospace series — Connectors, electrical, circular, scoop-proof, triple start threaded coupling, operating temperature 175 °C or 200 °C continuous — Part 002: Specification of performance and contact arrangements*

EN 3645-006, *Aerospace series — Connectors, electrical, circular, scoop-proof, triple start threaded coupling, operating temperature 175 °C or 200 °C continuous — Part 006: Protective cover for receptacle — Product standard*

EN 3645-008, *Aerospace series — Connectors, electrical, circular, scoop-proof, triple start threaded coupling, operating temperature 175 °C or 200 °C continuous — Part 008: Non-release plug with grounding ring — Product standard*

EN 3645-011, *Aerospace series — Connectors, electrical, circular, scoop-proof, triple start threaded coupling, operating temperature 175 °C or 200 °C continuous — Part 011: Lanyard release plug with grounding fingers — Type 1 — Product standard*

EN 3645-012, *Aerospace series — Connectors, electrical, circular, scoop-proof, triple start threaded coupling, operating temperature 175 °C or 200 °C continuous — Part 012: Lanyard release plug with grounding fingers — Type 2 — Product standard*

MIL-DTL-38999/20, *Connectors, electrical, circular, receptacle, threaded, wall mounting flange, removable crimp contacts, series III, metric* ¹⁾

3 Terms and definitions

For the purposes of this document, the terms and definitions given in EN 3645-001 apply.

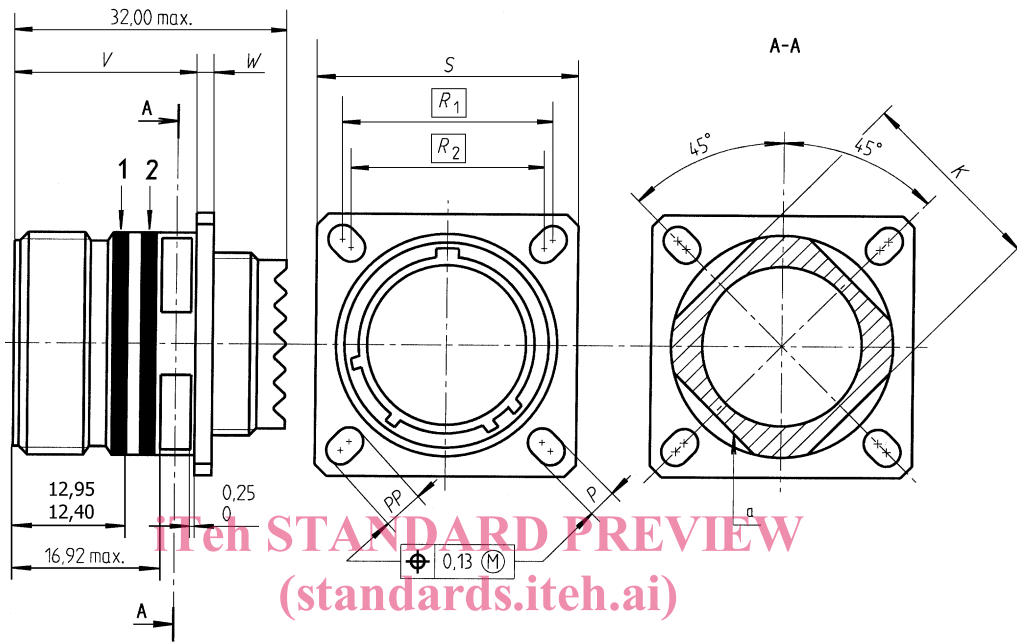
1) Published by: DoD National (US) Mil. Department of Defense <http://www.defenselink.mil/>

4 Required characteristics

4.1 Dimensions and mass

See Figure 1 and Table 1.

Dimensions and tolerances are in millimetres.



Key

- 1 Red strip
- 2 Blue strip

- ^a Optional detail for Models J and M

SIST EN 3645-003:2015
<https://standards.iteh.ai/catalog/standards/sist/03a3ede5-5d65-4fce-b789-c698a95d9703/sist-en-3645-003-2015>

Figure 1 — Square flange receptacle

Table 1 — Square flange receptacle – Dimensions

Shell size	<i>K</i>	<i>P</i>	<i>PP</i>	<i>R</i> ₁	<i>R</i> ₂	<i>S</i>	<i>V</i>		<i>W</i>		Mass without contacts			
	max.	± 0,20	± 0,20			± 0,30	+ 1,40 0	0 – 1,25			g max.	Models W, F, Z	Model K	Models J, M
							Models J and M	Other models	Models J and M	Other models				
09	11,84	3,25	5,49	18,26	15,09	23,80	19,50	20,83	3,65 2,10	2,50 2,10		10	25	8
11	15,01		4,93	20,62	18,26	26,20						16	32	12
13	19,08			23,01	20,62	28,60						19	42	17
15	22,25		4,39	24,61	23,01	31,00						25	50	20
17	25,43		4,93	26,97	24,61	33,30						32	67	26
19	28,60			29,36	26,97	36,50						39	82	32
21	31,78	31,75		29,36	39,70	45	91	36						
23	34,95	3,91	6,15	34,93	31,75	42,90	18,70	20,07	4,35 2,10	3,20 2,10		54	103	45
25	38,13			38,10	34,93	46,00						59	125	51

4.2 Materials and surface treatment

See Table 3.

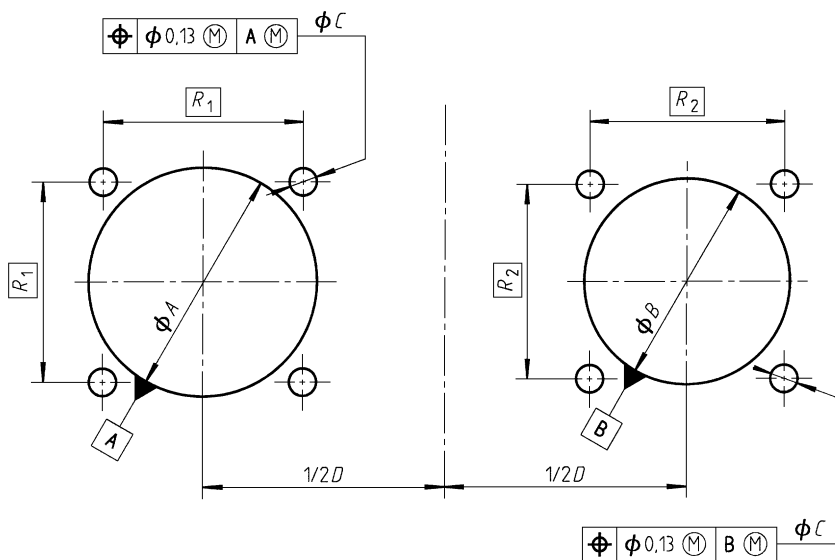
4.3 Recommended panel cut-out

See Figure 2 and Table 2.

Dimensions and tolerances are in millimetres.

Front or rear panel mounted

Front panel mounted



Optional panel cut-out

Rear panel mounted, thickness: 09 to 19: 5,94
21 to 25: 5,18

Figure 2 — Panel cut-out

Table 2 — Panel cut-out – Dimensions

Shell size	<i>A</i> min.	<i>B</i> min.	<i>C</i> ± 0,13	<i>D</i> min.	<i>R</i> ₁	<i>R</i> ₂ ^a
09	16,66	13,11	3,25	31,80	18,26	15,09
11	20,22	15,88		35,00	20,62	18,26
13	23,42	19,05		39,40	23,01	20,62
15	26,59	23,01		42,50	24,61	23,01
17	30,96	25,81		45,70	26,97	24,61
19	32,94	28,98		48,50	29,36	26,97
21	36,12	32,16		51,70	31,75	29,36
23	39,29	34,93	3,81	54,90	34,93	31,75
25	42,47	37,69		58,00	38,10	34,93

^a *R*₂ is not applicable to models J and M.

4.4 Electrical, mechanical and climatic characteristics

See EN 3645-002.

iTeh STANDARD PREVIEW
(standards.iteh.ai)

[SIST EN 3645-003:2015](https://standards.iteh.ai/catalog/standards/sist/03a3ede5-5d65-4fce-b789-c698a95d9703/sist-en-3645-003-2015)

<https://standards.iteh.ai/catalog/standards/sist/03a3ede5-5d65-4fce-b789-c698a95d9703/sist-en-3645-003-2015>