

Third edition  
2002-10-01

**AMENDMENT 1**  
2012-08-01

---

---

**Forestry machinery — Portable chain-  
saws — Minimum handle clearance and  
sizes**

**Amendment 1**

*Machines forestières — Scies à chaîne portatives — Dimensions  
minimales des poignées et des espaces libres autour des poignées*

*Amendement 1*

iTeh STANDARD PREVIEW  
(standards.iteh.ai)

ISO 7914:2002/Amd 1:2012

<https://standards.iteh.ai/catalog/standards/sist/2327f7ad-9816-4920-9742-38dacbff1308/iso-7914-2002-amd-1-2012>



Reference number  
ISO 7914:2002/Amd.1:2012(E)

© ISO 2012

## iTeh STANDARD PREVIEW (standards.iteh.ai)

[ISO 7914:2002/Amd 1:2012](https://standards.iteh.ai/catalog/standards/sist/2327f7ad-9816-4920-9742-38dacbff1308/iso-7914-2002-amd-1-2012)

<https://standards.iteh.ai/catalog/standards/sist/2327f7ad-9816-4920-9742-38dacbff1308/iso-7914-2002-amd-1-2012>



### **COPYRIGHT PROTECTED DOCUMENT**

© ISO 2012

All rights reserved. Unless otherwise specified, no part of this publication may be reproduced or utilized in any form or by any means, electronic or mechanical, including photocopying and microfilm, without permission in writing from either ISO at the address below or ISO's member body in the country of the requester.

ISO copyright office  
Case postale 56 • CH-1211 Geneva 20  
Tel. + 41 22 749 01 11  
Fax + 41 22 749 09 47  
E-mail [copyright@iso.org](mailto:copyright@iso.org)  
Web [www.iso.org](http://www.iso.org)

Published in Switzerland

## Foreword

ISO (the International Organization for Standardization) is a worldwide federation of national standards bodies (ISO member bodies). The work of preparing International Standards is normally carried out through ISO technical committees. Each member body interested in a subject for which a technical committee has been established has the right to be represented on that committee. International organizations, governmental and non-governmental, in liaison with ISO, also take part in the work. ISO collaborates closely with the International Electrotechnical Commission (IEC) on all matters of electrotechnical standardization.

International Standards are drafted in accordance with the rules given in the ISO/IEC Directives, Part 2.

The main task of technical committees is to prepare International Standards. Draft International Standards adopted by the technical committees are circulated to the member bodies for voting. Publication as an International Standard requires approval by at least 75 % of the member bodies casting a vote.

Attention is drawn to the possibility that some of the elements of this document may be the subject of patent rights. ISO shall not be held responsible for identifying any or all such patent rights.

Amendment 1 to ISO 7914:2002 was prepared by Technical Committee ISO/TC 23, *Tractors and machinery for agriculture and forestry*, Subcommittee SC 17, *Manually portable forest machinery*.

## iTeh STANDARD PREVIEW (standards.iteh.ai)

[ISO 7914:2002/Amd 1:2012](https://standards.iteh.ai/catalog/standards/sist/2327f7ad-9816-4920-9742-38dacbff1308/iso-7914-2002-amd-1-2012)

<https://standards.iteh.ai/catalog/standards/sist/2327f7ad-9816-4920-9742-38dacbff1308/iso-7914-2002-amd-1-2012>

**iTeh STANDARD PREVIEW**  
**(standards.iteh.ai)**

[ISO 7914:2002/Amd 1:2012](#)

<https://standards.iteh.ai/catalog/standards/sist/2327f7ad-9816-4920-9742-38dacbff1308/iso-7914-2002-amd-1-2012>

# Forestry machinery — Portable chain-saws — Minimum handle clearance and sizes

## Amendment 1

### Page 1, Normative references

Replace the reference to ISO 6533:2001 with the following:

ISO 6533:—<sup>1)</sup>, *Forestry machinery — Portable chain-saw front hand-guard — Dimensions and clearances*

Add the footnote:

1) To be published. (Revision of ISO 6533:2001)

### Page 1, 3.1

Replace the second and third paragraphs with the following text:

The grip area shall be determined as described below. The length of the grip area shall be limited either by obstructions of the chainsaw or by the reference points  $X_0$  and  $X_1$ , shown in Figure 2.

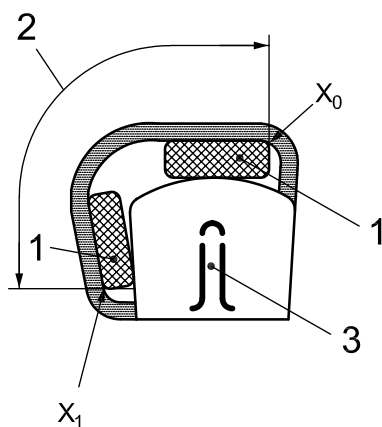
Reference point  $X_0$  shall be determined according to ISO 6533.

Reference point  $X_1$  shall be determined by using a type A gauge (according to ISO 6533:—) furthest down to the left side, as shown in Figure 2. The gauge shall be kept parallel with and directly to the side of the centreline of the front handle, and in contact with the handle and moved until it comes into contact with the housing of the machine.

### Page 4, Figure 2

Replace Figure 2 with the following:

Dimensions in millimetres



**Key**

- 1 gauge A (see ISO 6533:—)
- 2 grip area
- 3 rear handle

**Figure 2 — Handle grip area**

**iTeh STANDARD PREVIEW**  
**(standards.iteh.ai)**

[ISO 7914:2002/Amd 1:2012](https://standards.iteh.ai/catalog/standards/sist/2327f7ad-9816-4920-9742-38dacbff1308/iso-7914-2002-amd-1-2012)  
<https://standards.iteh.ai/catalog/standards/sist/2327f7ad-9816-4920-9742-38dacbff1308/iso-7914-2002-amd-1-2012>

**iTeh STANDARD PREVIEW**  
**(standards.iteh.ai)**

[ISO 7914:2002/Amd 1:2012](https://standards.iteh.ai/catalog/standards/sist/2327f7ad-9816-4920-9742-38dacbff1308/iso-7914-2002-amd-1-2012)

<https://standards.iteh.ai/catalog/standards/sist/2327f7ad-9816-4920-9742-38dacbff1308/iso-7914-2002-amd-1-2012>

**iTeh STANDARD PREVIEW**  
**(standards.iteh.ai)**

[ISO 7914:2002/Amd 1:2012](https://standards.iteh.ai/catalog/standards/sist/2327f7ad-9816-4920-9742-38dacbff1308/iso-7914-2002-amd-1-2012)

<https://standards.iteh.ai/catalog/standards/sist/2327f7ad-9816-4920-9742-38dacbff1308/iso-7914-2002-amd-1-2012>

---

---

**ICS 65.060.80**

Price based on 2 pages