



SLOVENSKI STANDARD
SIST EN 14420-8:2013/kFprA1:2015
01-november-2015

Cevni fitingi z objemkami - 8. del: Simetrična spojka (sistem Guillemin)

Hose fittings with clamp units - Part 8: Symmetrical half coupling (Guillemin system)

Schlaucharmaturen mit Klemmfassungen - Teil 8: Symmetrische Kupplungen (System Guillemin)

Raccords pour flexibles avec demi-coquille - Partie 8: Demi raccords symétriques (système Guillemin)

Ta slovenski standard je istoveten z: EN 14420-8:2013/FprA1:2015

ICS:

23.040.60 Prirobnice, oglavki in spojni elementi Flanges, couplings and joints

SIST EN 14420-8:2013/kFprA1:2015 en,fr,de

EUROPEAN STANDARD
NORME EUROPÉENNE
EUROPÄISCHE NORM

FINAL DRAFT
EN 14420-8:2013

FprA1

August 2015

ICS 23.040.70

English Version

Hose fittings with clamp units - Part 8: Symmetrical half coupling (Guillemin system)

Raccords pour flexibles avec demi-coquille - Partie 8: Demi
raccords symétriques (système Guillemin)

Schlaucharmaturen mit Klemmfassungen - Teil 8:
Symmetrische Kupplungen (System Guillemin)

This draft amendment is submitted to CEN members for unique acceptance procedure. It has been drawn up by the Technical Committee CEN/TC 218.

This draft amendment A1, if approved, will modify the European Standard EN 14420-8:2013. If this draft becomes an amendment, CEN members are bound to comply with the CEN/CENELEC Internal Regulations which stipulate the conditions for inclusion of this amendment into the relevant national standard without any alteration.

This draft amendment was established by CEN in three official versions (English, French, German). A version in any other language made by translation under the responsibility of a CEN member into its own language and notified to the CEN-CENELEC Management Centre has the same status as the official versions.

CEN members are the national standards bodies of Austria, Belgium, Bulgaria, Croatia, Cyprus, Czech Republic, Denmark, Estonia, Finland, Former Yugoslav Republic of Macedonia, France, Germany, Greece, Hungary, Iceland, Ireland, Italy, Latvia, Lithuania, Luxembourg, Malta, Netherlands, Norway, Poland, Portugal, Romania, Slovakia, Slovenia, Spain, Sweden, Switzerland, Turkey and United Kingdom.

Recipients of this draft are invited to submit, with their comments, notification of any relevant patent rights of which they are aware and to provide supporting documentation.

Warning : This document is not a European Standard. It is distributed for review and comments. It is subject to change without notice and shall not be referred to as a European Standard.



EUROPEAN COMMITTEE FOR STANDARDIZATION
COMITÉ EUROPÉEN DE NORMALISATION
EUROPÄISCHES KOMITEE FÜR NORMUNG

CEN-CENELEC Management Centre: Avenue Marnix 17, B-1000 Brussels

Contents

	Page
1 Modification to 4.1	4
2 Modification to Clause 5	4

Foreword

This document (EN 14420-8:2013/FprA1:2015) has been prepared by Technical Committee CEN/TC 218 "Rubber and plastics hoses and hose assemblies", the secretariat of which is held by BSI.

This document is currently submitted to the Unique Acceptance Procedure.

EN 14420-8:2013/FprA1:2015 (E)

1 Modification to 4.1

In 4.1, a) add after "16 bar" "(see also EN 14420-1:2013, 4.3)" to read as follows:

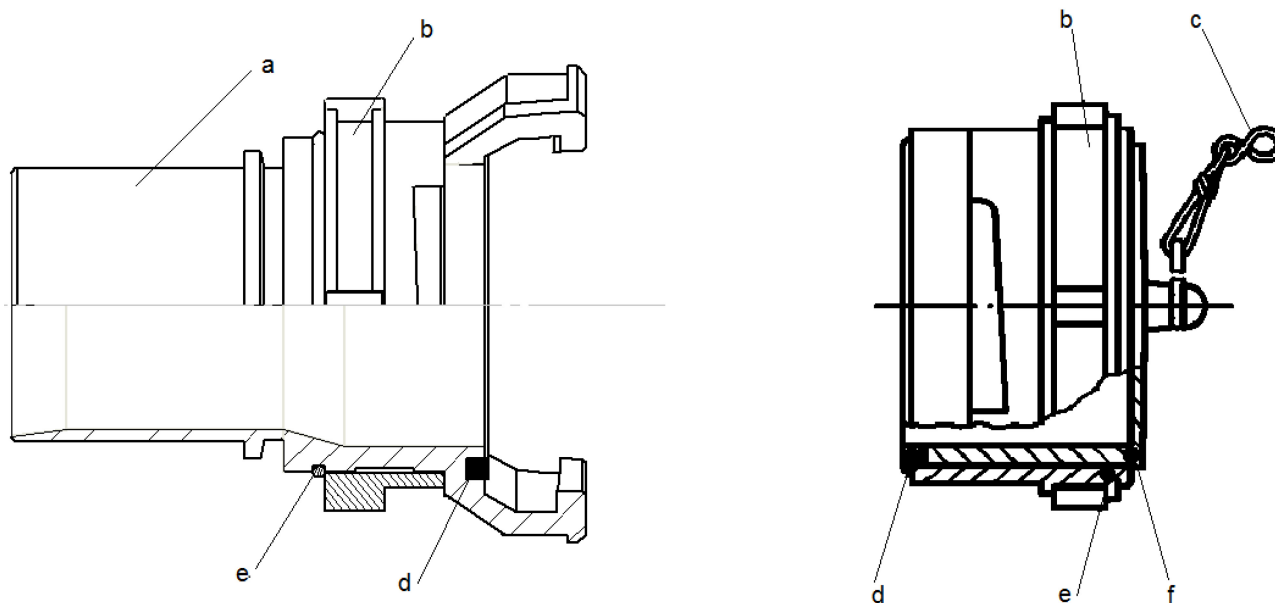
"

a) Maximum working pressure = 16 bar (see also EN 14420-1:2013, 4.3);"

2 Modification to Clause 5

Replace Figure 1 with the following:

"

**Key**

- a hose tail
- b locking ring
- c chain
- d main gasket
- e retainer ring
- f body of plug

Figure 1 — Coupling with hose tail (Type SGD) and plug (Type SGB)"