



**SLOVENSKI STANDARD**  
**oSIST prEN 1457-2:2016**  
**01-november-2016**

---

**Dimovodne naprave - Keramične tuljave - 2. del: Tuljave za delovanje v vlažnih razmerah - Zahteve in preskusne metode**

Chimneys - Clay/ceramic flue liners - Part 2: Flue liners operating under wet conditions - Requirements and test methods

Abgasanlagen - Keramik-Innenrohre - Teil 2: Innenrohre für den Nassbetrieb - Anforderungen und Prüfungen

Conduits de fumée - Conduits intérieurs en terre cuite/céramique - Partie 2 : Exigences et méthodes d'essai pour utilisation en conditions humides

<https://standards.iteh.ai/catalog/standards/sist/482ad6a8-8bbb-43b2-ad3b-25be5843f64c/ksist-pr-en-1457-2-2016>

**Ta slovenski standard je istoveten z: prEN 1457-2**

---

**ICS:**

91.060.40      Dimniki, jaški, kanali      Chimneys, shafts, ducts

**oSIST prEN 1457-2:2016**

**en,fr,de**

**iTeh STANDARD PREVIEW**  
**(standards.iteh.ai)**

[kSIST FprEN 1457-2:2018](#)

<https://standards.iteh.ai/catalog/standards/sist/482ad6a8-8bbb-43b2-ad3b-25be5843f64c/ksist-fpren-1457-2-2018>

EUROPEAN STANDARD  
NORME EUROPÉENNE  
EUROPÄISCHE NORM

**DRAFT**  
**prEN 1457-2**

September 2016

ICS 91.060.40

Will supersede EN 1457-2:2012

English Version

## Chimneys - Clay/ceramic flue liners - Part 2: Flue liners operating under wet conditions - Requirements and test methods

Conduits de fumée - Conduits intérieurs en terre  
cuite/céramique - Partie 2 : Prescriptions et méthodes  
d'essai pour utilisation en conditions humides

Abgasanlagen - Keramik-Innenrohre - Teil 2:  
Innenrohre für Nassbetrieb - Anforderungen und  
Prüfungen

This draft European Standard is submitted to CEN members for enquiry. It has been drawn up by the Technical Committee CEN/TC 166.

If this draft becomes a European Standard, CEN members are bound to comply with the CEN/CENELEC Internal Regulations which stipulate the conditions for giving this European Standard the status of a national standard without any alteration.

This draft European Standard was established by CEN in three official versions (English, French, German). A version in any other language made by translation under the responsibility of a CEN member into its own language and notified to the CEN-CENELEC Management Centre has the same status as the official versions.

CEN members are the national standards bodies of Austria, Belgium, Bulgaria, Croatia, Cyprus, Czech Republic, Denmark, Estonia, Finland, Former Yugoslav Republic of Macedonia, France, Germany, Greece, Hungary, Iceland, Ireland, Italy, Latvia, Lithuania, Luxembourg, Malta, Netherlands, Norway, Poland, Portugal, Romania, Slovakia, Slovenia, Spain, Sweden, Switzerland, Turkey and United Kingdom.

Recipients of this draft are invited to submit, with their comments, notification of any relevant patent rights of which they are aware and to provide supporting documentation.

**Warning** : This document is not a European Standard. It is distributed for review and comments. It is subject to change without notice and shall not be referred to as a European Standard.



EUROPEAN COMMITTEE FOR STANDARDIZATION  
COMITÉ EUROPÉEN DE NORMALISATION  
EUROPÄISCHES KOMITEE FÜR NORMUNG

**CEN-CENELEC Management Centre: Avenue Marnix 17, B-1000 Brussels**

## Contents

Page

European foreword.....	6
1 Scope.....	7
2 Normative references.....	7
3 Terms and definitions .....	8
4 Flue liners and openings .....	9
4.1 Flue liner cross-sections.....	9
4.2 Inspection openings and chimney junctions.....	10
5 Types of flue liner .....	11
6 Materials.....	12
7 Tolerances on dimensions.....	12
7.1 Transverse dimension.....	12
7.2 Height .....	12
7.3 Angle of curvature.....	12
7.4 Straightness.....	12
7.5 Squareness of ends .....	12
7.6 Deviation from shape of cross section.....	12
7.7 Geometry of joints.....	12
8 Proof load.....	13
8.1 Straight flue liners .....	13
8.2 Curved flue liners.....	13
8.3 Minimum load for inspection opening sections.....	13
9 Gas tightness/leakage, thermal shock resistance and soot fire resistance for straight flue liners .....	13
9.1 Initial test.....	13
9.2 Gas tightness.....	14
9.2.1 General.....	14
9.2.2 Gas tightness after sootfire testing.....	14
9.2.3 Gas tightness after thermal shock testing.....	14
10 Durability.....	15
10.1 Corrosion resistance .....	15
10.2 Freeze/Thaw resistance .....	15
11 Water absorption and bulk density.....	15
11.1 General.....	15
11.2 Water absorption .....	15
11.3 Bulk density .....	15
12 Abrasion resistance.....	15
13 Condensate resistance and flow resistance.....	15
13.1 Condensate resistance.....	15
13.2 Flow resistance .....	16

14	Thermal resistance .....	16
15	Assessment and verification of constancy of performance - AVCP .....	16
15.1	General .....	16
15.2	Type testing .....	16
15.2.1	General .....	16
15.2.2	Test samples, testing and compliance criteria.....	17
15.2.3	Test reports .....	18
15.2.4	Shared other party results .....	19
15.2.5	Cascading determination of the product type results .....	19
15.3	Factory production control (FPC).....	20
15.3.1	General .....	20
15.3.2	Requirements.....	21
15.3.3	Product specific requirements .....	24
15.3.4	Initial inspection of factory and of FPC.....	25
15.3.5	Continuous surveillance of FPC .....	25
15.3.6	Procedure for modifications.....	25
15.3.7	One-off products, pre-production products (e.g. prototypes) and products produced in very low quantity .....	26
16	Test methods.....	27
16.1	Size .....	27
16.2	Height.....	27
16.3	Angle of curvature .....	27
16.4	Straightness .....	28
16.5	Squareness of ends.....	28
16.6	Deviation from shape of cross-section.....	29
16.7	Proof load .....	31
16.7.1	Test specimen .....	31
16.7.2	Testing equipment .....	31
16.7.3	Test procedure .....	31
16.8	Thermal testing .....	32
16.8.1	Test flue.....	32
16.8.2	Test equipment.....	32
16.8.3	Assembly of test flue.....	34
16.8.4	Thermal conditioning .....	34
16.8.5	Measurement of leakage rate.....	35
16.8.6	Expression of results .....	35
16.9	Corrosion resistance.....	36
16.9.1	Test specimens .....	36
16.9.2	Test equipment.....	36
16.9.3	Test procedure .....	36
16.9.4	Expression of results .....	37
16.10	Water absorption.....	37
16.10.1	Test specimen.....	37
16.10.2	Test equipment .....	37
16.10.3	Test procedure .....	37
16.10.4	Expression of results.....	37
16.11	Bulk density.....	38
16.11.1	Test specimen.....	38
16.11.2	Test equipment .....	38
16.11.3	Test procedure .....	38
16.11.4	Expression of results.....	38
16.12	Abrasion resistance .....	38

## prEN 1457-2:2016 (E)

16.12.1	Test flue.....	38
16.12.2	Test equipment.....	39
16.12.3	Test procedure.....	39
16.12.4	Expression of results .....	39
16.13	Test method for the determination of water and vapour flow (indirect method).....	40
16.13.1	Test installation.....	40
16.13.2	Test sample .....	41
16.13.3	Position of measuring points and records.....	41
16.13.4	Test procedure.....	42
16.13.5	Results.....	43
16.13.6	Measuring equipment — Composition, measuring range, uncertainty .....	43
16.13.7	Test rig.....	44
17	Designation.....	45
18	Marking.....	45
19	Release of dangerous substances.....	46
Annex A (normative) Sampling procedures for an AQL of 10 % and inspection level S2 .....		47
A.1	Acceptability determination .....	47
A.1.1	Single sampling.....	47
A.1.2	Double sampling.....	47
A.2	Normal inspection.....	47
A.3	Normal to reduced inspection.....	49
A.4	Reduced to normal inspection.....	49
A.5	Tightened inspection.....	49
A.6	Tightened to normal inspection.....	50
A.7	Discontinuation of inspection .....	50
Annex B (normative) Thermal resistance .....		51
B.1	Method 1: simplified calculation for flue liners without cavities.....	51
B.2	Method 2: thermal resistance of flue liners with or without cavities .....	51
B.2.1	General.....	51
B.2.2	Data .....	52
B.2.2.1	Thermal properties of the material.....	52
B.2.2.2	Boundary conditions.....	53
B.2.3	Specific conditions for the cavities .....	53
B.2.3.1	General.....	53
B.2.3.2	Heat transmitted by conduction-convection in the air .....	54
B.2.3.3	Heat transmitted by radiation.....	55
B.2.3.4	Equivalent thermal conductivity.....	55
B.2.4	Calculations.....	56
B.2.4.1	General.....	56
B.2.4.2	Numerical resolution.....	56

<b>B.3</b>	<b>Method Approximate thermal resistance values .....</b>	<b>56</b>
<b>Annex C (normative)</b>	<b>Measurement of the coefficient of friction of chimneys .....</b>	<b>57</b>
<b>Annex ZA (informative)</b>	<b>Relationship of this European Standard with Regulation (EU)</b>	
	<b>No.305/2011 .....</b>	<b>59</b>
<b>ZA.1</b>	<b>Scope and relevant characteristics .....</b>	<b>59</b>
<b>ZA.2</b>	<b>System of Assessment and Verification of Constancy of Performance (AVCP) .....</b>	<b>60</b>
<b>ZA.3</b>	<b>Assignment of AVCP tasks .....</b>	<b>60</b>
<b>Bibliography</b>	<b>.....</b>	<b>62</b>

## iTeh STANDARD PREVIEW (standards.iteh.ai)

[ksIST FprEN 1457-2:2018](https://standards.iteh.ai/catalog/standards/sist/482ad6a8-8bbb-43b2-ad3b-25be5843f64c/ksist-fpren-1457-2-2018)

<https://standards.iteh.ai/catalog/standards/sist/482ad6a8-8bbb-43b2-ad3b-25be5843f64c/ksist-fpren-1457-2-2018>

**prEN 1457-2:2016 (E)****European foreword**

This document (prEN 1457-2:2016) has been prepared by Technical Committee CEN/TC 166 “Chimneys”, the secretariat of which is held by ASI.

This document is currently submitted to the CEN Enquiry.

This document will supersede EN 1457-2:2012.

This document has been prepared under a mandate given to CEN by the European Commission and the European Free Trade Association, and supports essential requirements of EU Directive(s).

For relationship with EU Directive(s), see informative Annex ZA, which is an integral part of this document.

EN 1457 is made of two parts:

- EN 1457-1, *Chimney — Clay/ceramic flue liners — Part 1: Flue liners operating under dry conditions — Requirements and test methods*;
- EN 1457-2, *Chimney — Clay/ceramic flue liners — Part 2: Flue liners operating under wet conditions — Requirements and test methods*.

The main changes with respect to the previous edition are:

- New Clause 15: Assessment and verification of constancy of performance – AVCP
- New Annex ZA: Relationships of this European Standard with Regulation (EU) n°305/2011



## 1 Scope

This European Standard is a product standard for clay/ceramic flue liners operating under wet conditions with solid walls or walls with vertical perforations for use in the construction of multiwall chimneys and flue pipes which serve to convey products of combustion from fireplaces or heating appliances to the outside atmosphere by negative or positive pressure. It includes the flue liners used for domestic and industrial chimneys which are not structurally independent (free-standing).

This European Standard specifies the performance requirements for factory made flue liners and chimney fittings. Testing including thermal testing with or without insulation, marking and inspection are covered by this standard. Flue liners that are specified to this standard will meet the requirements of EN 1457-1 with the same working temperature, pressure, designation and soot fire resistance.

## 2 Normative references

The following documents, in whole or in part, are normatively referenced in this document and are indispensable for its application. For dated references, only the edition cited applies. For undated references, the latest edition of the referenced document (including any amendments) applies.

EN 312, *Particleboards - Specifications*

EN 1443:2003, *Chimneys - General requirements*

EN 10088-1, *Stainless steels - Part 1: List of stainless steels*

EN 13384-1:2002+A2:2008, *Chimneys — Thermal and fluid-dynamic calculation methods — Part 1: Chimneys serving one appliance*

EN 14297:2004, *Chimneys - Freeze-thaw resistance test method for chimney products*

EN ISO 6946, *Building components and building elements - Thermal resistance and thermal transmittance - Calculation method (ISO 6946)*

EN ISO 7500-1, *Metallic materials - Calibration and verification of static uniaxial testing machines - Part 1: Tension/compression testing machines - Calibration and verification of the force-measuring system (ISO 7500-1)*

ISO 2859-1, *Sampling procedures for inspection by attributes — Part 1: Sampling schemes indexed by acceptance quality limit (AQL) for lot-by-lot inspection*

## prEN 1457-2:2016 (E)

### 3 Terms and definitions

For the purposes of this document, the terms and definitions given in EN 1443:2003 and the following apply.

#### 3.1

##### nominal size

numerical designation of size which is a convenient round number equal to or approximately equal to either:

- a) the internal diameter of circular flue liners;
- b) the internal width of square flue liners;
- c) the internal width and breadth of the cross section of rectangular flue liners

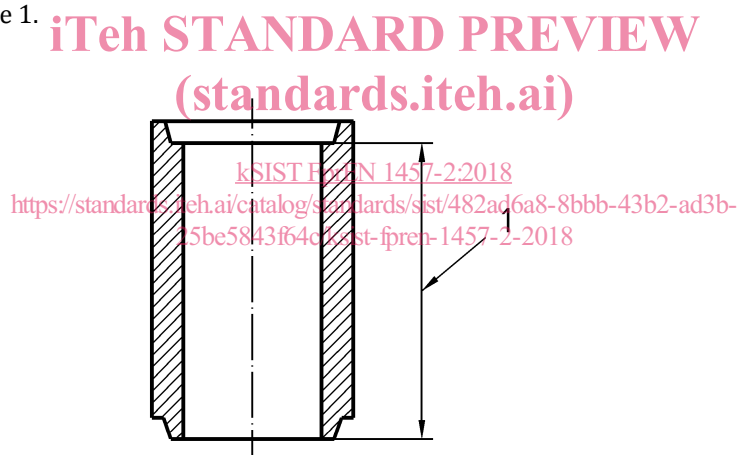
Note 1 to entry: The nominal length is expressed in millimetres.

#### 3.2

##### nominal height

numerical designation of the internal height in millimetres of a straight flue liner which is a convenient round number approximately equal to the internal height of the flue liner

Note 1 to entry: See Figure 1.



#### Key

- 1 internal height

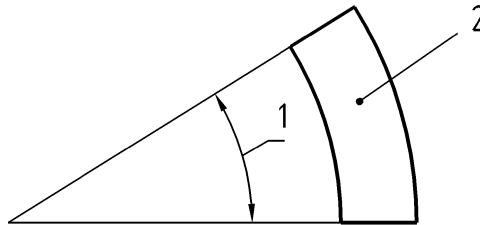
**Figure 1 — Internal height**

**3.3****nominal angle of curvature**

angle subtended by a curved flue liner at the centre of the curve

Note 1 to entry: The nominal angle is expressed in degrees.

Note 2 to entry: See Figure 2.

**Key**

- 1 angle of curvature
- 2 curved flue liner

**Figure 2 — Angle of curvature**

**iTeh STANDARD PREVIEW**

(standards.iteh.ai)

**3.4****wet operating condition**

condition when the chimney is designed to operate normally with the temperature of the inner surface of the flue liner at and below the water dew point

**3.5****dry operating condition**

condition when the chimney is designed to operate normally with the temperature of the inner surface of the flue liner above the water dew point

**4 Flue liners and openings****4.1 Flue liner cross-sections**

Flue liners shall be either:

- a) circular or square in cross-section with rebated or spigot and socket ends;
- b) square or rectangular in cross-section with rebated ends and rounded internal corners;
- c) circular, square or rectangular in cross-section with butt joints and jointed with a sleeve;
- d) circular or square in cross-section with taper joints.

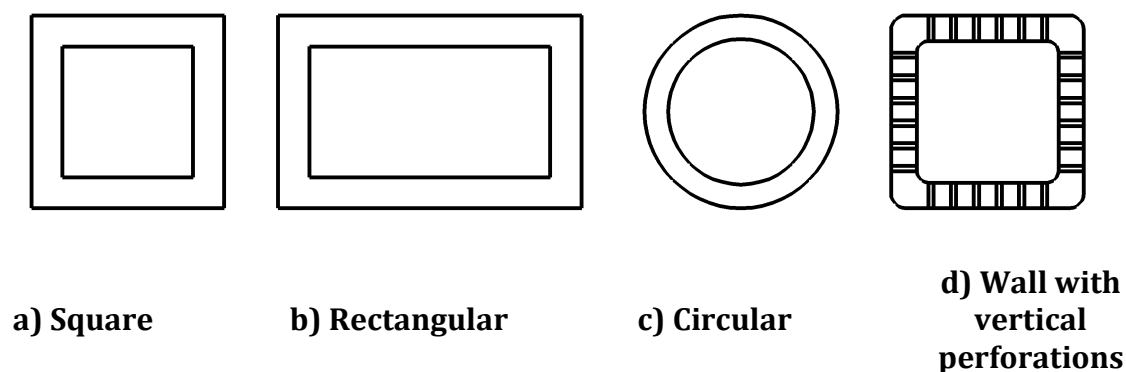


Figure 3 — Examples of cross-section configuration

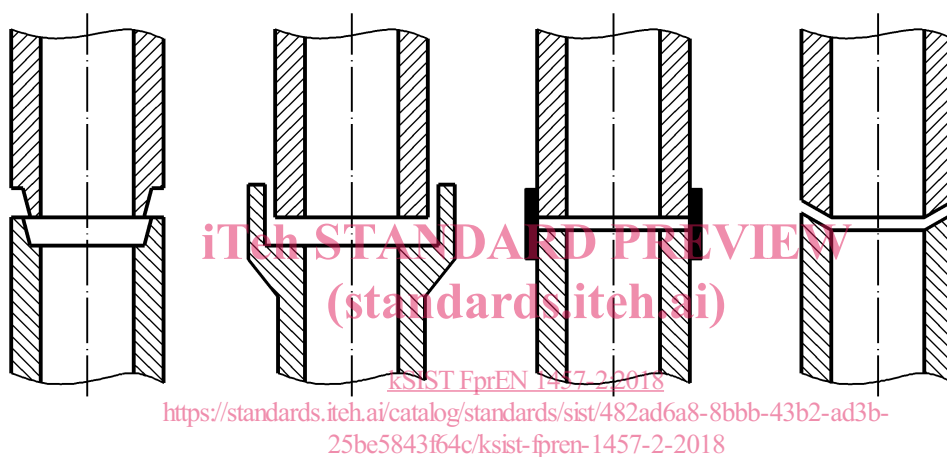


Figure 4 — Joint configuration

## 4.2 Inspection openings and chimney junctions

Inspection openings are used for inspection and cleaning of the inner liners of chimneys and for soot removal and shall meet the requirements of flue liners as appropriate.

All inspection openings shall have a door.

The inspection opening shall have a door with a separate humidity barrier or have two sheets.

Chimney junctions are used to connect flues from heat appliances to chimneys. Chimney junctions are purpose-made tee-pieces or inner liner sections with an opening to which branches are fitted. The branch angles can be  $45^\circ$  to  $95^\circ$  ( $\alpha$  in Figure 5). At the position of junctions, the outer walls have corresponding openings.

Chimney junctions should have the same cross-sectional area as the flue liner. Reductions and expansions are acceptable provided that the resistance to the exhaust gases is not increased.

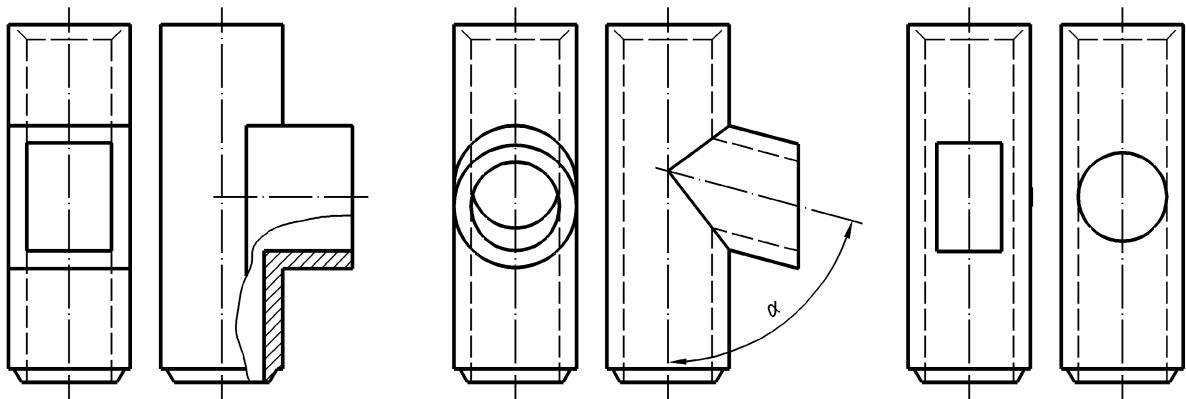


Figure 5 — Examples of inspection openings and chimney junctions

## 5 Types of flue liner

There are four main types of clay/ceramic flue liner dependent on working temperature, with sub-classes dependent on whether the flue liners are to be used in chimneys designed to work under negative or positive pressure or are to have soot fire resistance. A non exhaustive list abbreviated designations for flue liners according temperature, pressure, soot fire resistance and condensate resistance is given in Table 1. The suitability of each type of flue liner to be used in chimneys designed to operate under negative or positive pressure and wet conditions is also given.

NOTE A flue liner can be designated in one or more types provided that it complies with the appropriate requirements for each type.

kSIST prEN 1457-2:2018

Table 1 — Types of clay/ceramic flue liners, conditions of use, air test pressures and maximum leakage rates after thermal testing for operating under wet conditions

Types of flue liner	Temperature class	Pressure class	Soot fire resistance class	Test pressure Pa	Permitted leakage rate $\text{m}^3 \text{s}^{-1} \text{m}^{-2} \cdot 10^{-3}$
A3 N <sub>2</sub>	600	Negative	Yes (G)	20	3
A3 N <sub>1</sub>	600	Negative	Yes (G)	40	2
A3 P <sub>1</sub>	600	Positive	Yes (G)	200	0,006
A4 N <sub>2</sub>	600	Negative	No (O)	20	3
A4 N <sub>1</sub>	600	Negative	No (O)	40	2
A4 P <sub>1</sub>	600	Positive	No (O)	200	0,006
B3 N <sub>2</sub>	400	Negative	Yes (G)	20	3
B3 N <sub>1</sub>	400	Negative	Yes (G)	40	2
B3 P <sub>1</sub>	400	Positive	Yes (G)	200	0,006
B4 N <sub>2</sub>	400	Negative	No (O)	20	3
B4 N <sub>1</sub>	400	Negative	No (O)	40	2
B4 P <sub>1</sub>	400	Positive	No (O)	200	0,006
C4 N <sub>2</sub>	300	Negative	No (O)	20	3

**prEN 1457-2:2016 (E)**

C4 N1	300	Negative	No (0)	40	2
C4 P1	300	Positive	No (0)	200	0,006
D4 N <sub>2</sub>	200	Negative	No (0)	20	3
D4 N1	200	Negative	No (0)	40	2
D4 P1	200	Positive	No (0)	200	0,006

**6 Materials**

Flue liners shall be manufactured from suitable clay/ceramic material which, when fired, meet the performance requirements given in this standard.

Flue liners may be unglazed or glazed on the interior and/or exterior. When glazed, they need not be glazed on the jointing surfaces.

**7 Tolerances on dimensions****7.1 Transverse dimension**

When tested in accordance with 16.1, the internal diameter of circular flue liners measured on any diameter shall not deviate more than  $\pm 3\%$  of the manufacturer's stated nominal internal diameter.

The internal width or breadth of square or rectangular section flue liners shall not deviate more than  $\pm 3\%$  of the manufacturer's stated nominal internal length of the side.

**7.2 Height**

When tested in accordance with 16.2, the height of a flue liner shall not deviate more than  $\pm 3\%$  on the manufacturer's stated nominal height subject to a maximum value of 20 mm.

**7.3 Angle of curvature**

When tested in accordance with 16.3, the angle of curvature of curved flue liners shall not deviate more than  $\pm 5^\circ$  on the manufacturer's stated nominal curvature.

**7.4 Straightness**

When tested in accordance with 16.4, the permissible deviation from straightness of straight flue liners shall be 1 % of the test length.

**7.5 Squareness of ends**

When tested in accordance with 16.5, the permissible deviation from square of the ends of straight flue liners, shall be not greater than an angle of slope 30 mm/m.

**7.6 Deviation from shape of cross section**

When tested in accordance with 16.6, the permissible deviation from square of the angles of, and flatness of walls for square or rectangular shape straight flue liners, shall be not greater than 5 % of the manufacturer's stated nominal internal width or breadth.

**7.7 Geometry of joints**

The design and dimensions of the joints shall be as specified by the manufacturer to provide an adequate joint.

## 8 Proof load

### 8.1 Straight flue liners

When tested in accordance with 16.7, straight flue liners shall withstand an intensity of loading of 10 MN/m<sup>2</sup>.

### 8.2 Curved flue liners

Where curved flue liners are fired in a plant alongside straight flue liners, using the same materials and firing process, the proof load of these curved flue liners is deemed to be that of the straight flue liners when tested in accordance with 16.7.

If curved flue liners are not normally fired alongside straight flue liners, straight flue liners or short lengths of straight flue liners made for test purposes, using the same materials and firing process as for curved flue liners, shall be tested for compliance with the requirements of 8.1.

### 8.3 Minimum load for inspection opening sections

When tested in accordance with 16.7, the minimum load of inspection opening sections shall be as given in Table 2.

The following equation shall be used:

$$F = \chi \cdot H \cdot G / 100$$

where

$F$  is the minimum load in kilonewtons;

$\chi$  is the safety factor = 5;

$H$  is the height of chimney in metres;

$G$  is the weight per metre in kilograms per metre.

## 9 Gas tightness/leakage, thermal shock resistance and soot fire resistance for straight flue liners

### 9.1 Initial test

Prior to thermal testing a test flue constructed in accordance with 16.8.3 with N1 and N<sub>2</sub> liners shall have a leakage rate not greater than 2 m<sup>3</sup> s<sup>-1</sup> m<sup>-2</sup> × 10<sup>-3</sup> of internal surface area tested at a differential pressure of (40 ± 2) Pa when tested as described in 16.8.5.

Prior to thermal testing a test flue constructed in accordance with 16.8.3 with P1 liners shall have a leakage rate not greater than 0,006 m<sup>3</sup> s<sup>-1</sup> m<sup>-2</sup> · 10<sup>-3</sup> of internal surface area tested at a differential pressure of (200 ± 10) Pa when tested as described in 16.8.5.

Where chimney fittings are fired in a plant alongside straight flue liners using the same material and firing process, the gas tightness/leakage, thermal shock resistance and soot fire resistance shall be deemed to be that of straight flue liners when tested in accordance with 16.8.3.

If the chimney fittings are not normally fired alongside straight flue liners, straight flue liners or short lengths of straight flue liner shall be made for test purposes using the same material and firing process as for chimney fittings shall be tested for complying with 9.2.1.