

Second edition
2009-07-15

AMENDMENT 1
2013-09-01

**Powered hand-held hedge
trimmers — Safety**

AMENDMENT 1

Taille-haies portatifs à moteur — Sécurité
AMENDEMENT 1
(standards.iteh.ai)

[ISO 10517:2009/Amd 1:2013](https://standards.iteh.ai/catalog/standards/sist/a02ee367-68d1-4873-a2ba-941190492ffd/iso-10517-2009-amd-1-2013)

<https://standards.iteh.ai/catalog/standards/sist/a02ee367-68d1-4873-a2ba-941190492ffd/iso-10517-2009-amd-1-2013>



Reference number
ISO 10517:2009/Amd.1:2013(E)

© ISO 2013

iTeh STANDARD PREVIEW (standards.iteh.ai)

<https://standards.iteh.ai/catalog/standards/sist/a02ee367-68d1-4873-a2ba-941190492ffd/iso-10517-2009-amd-1-2013>



COPYRIGHT PROTECTED DOCUMENT

© ISO 2013

All rights reserved. Unless otherwise specified, no part of this publication may be reproduced or utilized otherwise in any form or by any means, electronic or mechanical, including photocopying, or posting on the internet or an intranet, without prior written permission. Permission can be requested from either ISO at the address below or ISO's member body in the country of the requester.

ISO copyright office
Case postale 56 • CH-1211 Geneva 20
Tel. + 41 22 749 01 11
Fax + 41 22 749 09 47
E-mail copyright@iso.org
Web www.iso.org

Published in Switzerland

Foreword

ISO (the International Organization for Standardization) is a worldwide federation of national standards bodies (ISO member bodies). The work of preparing International Standards is normally carried out through ISO technical committees. Each member body interested in a subject for which a technical committee has been established has the right to be represented on that committee. International organizations, governmental and non-governmental, in liaison with ISO, also take part in the work. ISO collaborates closely with the International Electrotechnical Commission (IEC) on all matters of electrotechnical standardization.

The procedures used to develop this document and those intended for its further maintenance are described in the ISO/IEC Directives, Part 1. In particular the different approval criteria needed for the different types of ISO documents should be noted. This document was drafted in accordance with the editorial rules of the ISO/IEC Directives, Part 2. www.iso.org/directives

Attention is drawn to the possibility that some of the elements of this document may be the subject of patent rights. ISO shall not be held responsible for identifying any or all such patent rights. Details of any patent rights identified during the development of the document will be in the Introduction and/or on the ISO list of patent declarations received. www.iso.org/patents

Any trade name used in this document is information given for the convenience of users and does not constitute an endorsement.

The committee responsible for this document is ISO/TC 23, *Tractors and machinery for agriculture and forestry*, Subcommittee SC 13, *Powered lawn and garden equipment*.

ITEH STANDARD PREVIEW

(standards.iteh.ai)

[ISO 10517:2009/Amd 1:2013](https://standards.iteh.ai/catalog/standards/sist/a02ee367-68d1-4873-a2ba-941190492ffd/iso-10517-2009-amd-1-2013)

<https://standards.iteh.ai/catalog/standards/sist/a02ee367-68d1-4873-a2ba-941190492ffd/iso-10517-2009-amd-1-2013>

iTeh STANDARD PREVIEW
(standards.iteh.ai)

[ISO 10517:2009/Amd 1:2013](https://standards.iteh.ai/catalog/standards/sist/a02ee367-68d1-4873-a2ba-941190492ffd/iso-10517-2009-amd-1-2013)

<https://standards.iteh.ai/catalog/standards/sist/a02ee367-68d1-4873-a2ba-941190492ffd/iso-10517-2009-amd-1-2013>

Powered hand-held hedge trimmers — Safety

AMENDMENT 1

Page 11, 5.2.3

Add after the 2nd paragraph:

“For blunt extensions that are not an integral part of the cutting means, the following requirement shall be met.

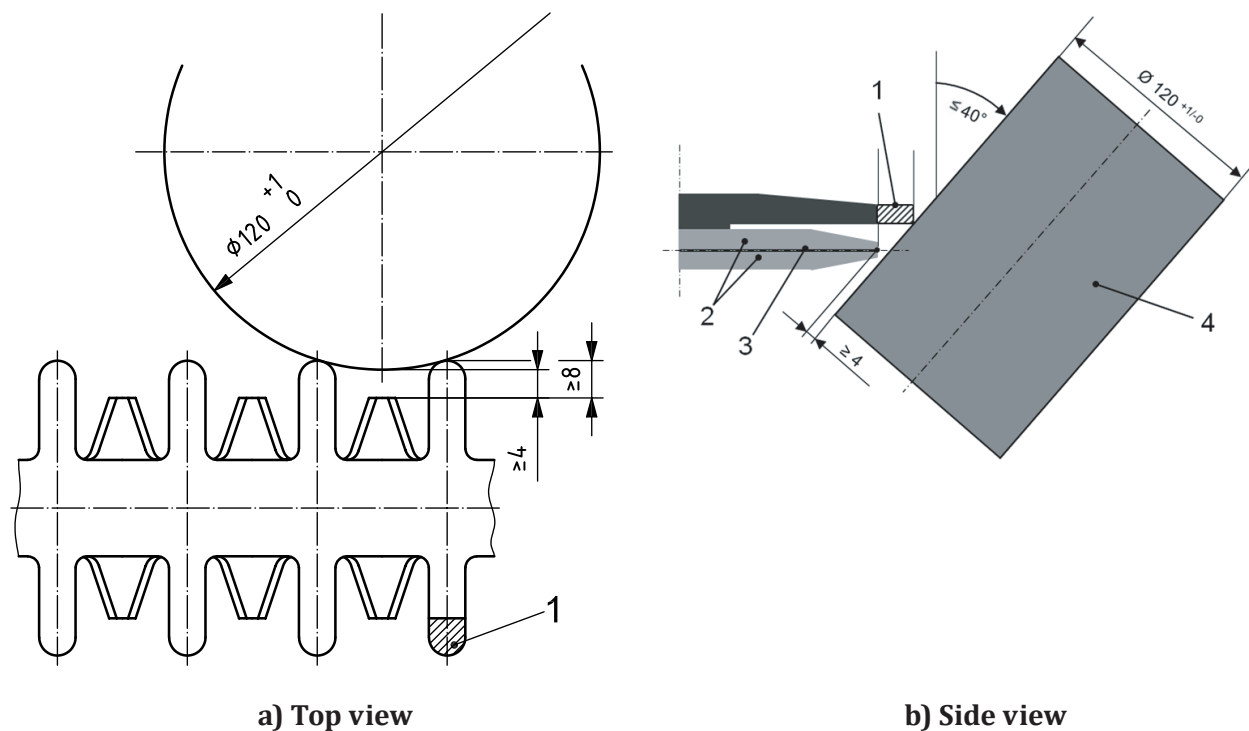
The distance between the end of the cutting plane (3) between the cutting blades (2) and the side of the test cylinder (4) shall not be less than 4 mm when the test cylinder is positioned as shown in Figure 7 a) and then tilted around the ends of the blunt extensions (1) up to an angle of 40° as shown in Figure 7 b).”

Page 13, Figure 7

Add a new Figure 7 b) “Side view”, such that Figure 7 in ISO 10517:2009 becomes Figure 7 a) “Top view”.

iTeh STANDARD PREVIEW
(standards.iteh.ai)

<https://standards.iteh.ai/catalog/standards/sist/a02ee367-68d1-4873-a2ba-941190492ffd/iso-10517-2009-amd-1-2013>



Key

- 1 extending depth of blunt part or unsharpened plate
- 2 cutting blades
- 3 cutting plane
- 4 test cylinder

iTeh STANDARD PREVIEW
(standards.iteh.ai)

<https://standards.iteh.ai/catalog/standards/sist/a02ee367-68d1-4873-a2ba-0411904927d3/iso-10517-2009-amd-1-2013>

<https://standards.iteh.ai/catalog/standards/sist/a02ee367-68d1-4873-a2ba-0411904927d3/iso-10517-2009-amd-1-2013>

NOTE See Table 2. The cutting device may be single or double-sided.

Figure 7 — Cutting device configuration option for categories 4 and 5

iTeh STANDARD PREVIEW
(standards.iteh.ai)

[ISO 10517:2009/Amd 1:2013](https://standards.iteh.ai/catalog/standards/sist/a02ee367-68d1-4873-a2ba-941190492ffd/iso-10517-2009-amd-1-2013)

<https://standards.iteh.ai/catalog/standards/sist/a02ee367-68d1-4873-a2ba-941190492ffd/iso-10517-2009-amd-1-2013>

iTeh STANDARD PREVIEW
(standards.iteh.ai)

[ISO 10517:2009/Amd 1:2013](https://standards.iteh.ai/catalog/standards/sist/a02ee367-68d1-4873-a2ba-941190492ffd/iso-10517-2009-amd-1-2013)
<https://standards.iteh.ai/catalog/standards/sist/a02ee367-68d1-4873-a2ba-941190492ffd/iso-10517-2009-amd-1-2013>