

---

**Termostatni ventili za ogrevala - Zahteve in preskusne metode**

Thermostatic radiator valves - Requirements and test methods

Thermostatische Heizkörperventile - Anforderungen und Prüfung

Robinets thermostatiques d'équipement du corps de chauffe - Exigences et méthodes d'essai

**(standards.iteh.ai)****Ta slovenski standard je istoveten z: prEN 215**

<https://standards.iteh.ai/catalog/standards/sist/f6c1ab0-1c76-4a79-a7a7-3eb8f556bd28/osist-pren-215-2017>

---

**ICS:**

23.060.01	Ventili na splošno	Valves in general
91.140.10	Sistemi centralnega ogrevanja	Central heating systems

**oSIST prEN 215:2017****en,fr,de**

**iTeh STANDARD PREVIEW**  
**(standards.iteh.ai)**

[oSIST prEN 215:2017](https://standards.iteh.ai/catalog/standards/sist/ff6c1ab0-1c76-4a79-a7a7-3eb8f556bd28/osist-pren-215-2017)

<https://standards.iteh.ai/catalog/standards/sist/ff6c1ab0-1c76-4a79-a7a7-3eb8f556bd28/osist-pren-215-2017>

EUROPEAN STANDARD  
NORME EUROPÉENNE  
EUROPÄISCHE NORM

**DRAFT**  
**prEN 215**

January 2017

ICS 91.140.10

Will supersede EN 215:2004

English Version

## Thermostatic radiator valves - Requirements and test methods

Robinets thermostatiques d'équipement du corps de chauffe - Exigences et méthodes d'essai

Thermostatische Heizkörperventile - Anforderungen und Prüfung

This draft European Standard is submitted to CEN members for enquiry. It has been drawn up by the Technical Committee CEN/TC 130.

If this draft becomes a European Standard, CEN members are bound to comply with the CEN/CENELEC Internal Regulations which stipulate the conditions for giving this European Standard the status of a national standard without any alteration.

This draft European Standard was established by CEN in three official versions (English, French, German). A version in any other language made by translation under the responsibility of a CEN member into its own language and notified to the CEN-CENELEC Management Centre has the same status as the official versions.

CEN members are the national standards bodies of Austria, Belgium, Bulgaria, Croatia, Cyprus, Czech Republic, Denmark, Estonia, Finland, Former Yugoslav Republic of Macedonia, France, Germany, Greece, Hungary, Iceland, Ireland, Italy, Latvia, Lithuania, Luxembourg, Malta, Netherlands, Norway, Poland, Portugal, Romania, Slovakia, Slovenia, Spain, Sweden, Switzerland, Turkey and United Kingdom.

<https://standards.iteh.ai/catalog/standards/sist/f6c1ab0-1c76-4a79-a7a7-3eb8f56bd28/osist-pr-en-215-2017>

Recipients of this draft are invited to submit, with their comments, notification of any relevant patent rights of which they are aware and to provide supporting documentation.

**Warning** : This document is not a European Standard. It is distributed for review and comments. It is subject to change without notice and shall not be referred to as a European Standard.



EUROPEAN COMMITTEE FOR STANDARDIZATION  
COMITÉ EUROPÉEN DE NORMALISATION  
EUROPÄISCHES KOMITEE FÜR NORMUNG

**CEN-CENELEC Management Centre: Avenue Marnix 17, B-1000 Brussels**

<b>Contents</b>	<b>Page</b>
European foreword.....	4
<b>1 Scope</b> .....	<b>5</b>
<b>2 Normative references</b> .....	<b>5</b>
<b>3 Terms and definitions</b> .....	<b>5</b>
<b>4 Symbols and abbreviations</b> .....	<b>13</b>
<b>5 Requirements</b> .....	<b>14</b>
5.1 Dimensions.....	14
5.2 Mechanical properties.....	14
5.2.1 Resistance to pressure, leak-tightness of the valve body assembly.....	14
5.2.2 Leak-tightness of the stem seal.....	14
5.2.3 Resistance of the valve body assembly to a bending moment.....	14
5.2.4 Resistance of the temperature selector to a torque.....	14
5.2.5 Resistance of the temperature selector to a bending moment.....	14
5.2.6 Exchange of the stem seal.....	14
5.3 Operating characteristics.....	14
5.3.1 Nominal flow rate and flow rate at S-1.....	14
5.3.2 Characteristic flow rate at the minimum and maximum setting of the temperature selector.....	14
5.3.3 Characteristic flow rate for thermostatic valves having a pre-setting facility.....	14
5.3.4 Sensor temperature at the minimum and maximum setting of the temperature selector.....	15
5.3.5 Hysteresis at the nominal flow rate.....	15
5.3.6 Differential pressure influence.....	15
5.3.7 Influence of the static pressure.....	15
5.3.8 Temperature difference between temperature point S and the closing and opening temperature respectively.....	15
5.3.9 Influence of ambient temperature on thermostatic valves with transmission elements.....	15
5.3.10 Water temperature effect.....	15
5.3.11 Response time.....	15
5.4 Endurance and temperature resistance.....	15
5.4.1 Mechanical endurance.....	15
5.4.2 Thermal endurance.....	16
5.4.3 Temperature resistance.....	16
<b>6 Test apparatus and methods</b> .....	<b>16</b>
6.1 Test apparatus.....	16
6.1.1 Apparatus to obtain the hydraulic data.....	16
6.1.2 Apparatus for testing the thermostatic valve and the integrated thermostatic valve in the water bath.....	18
6.1.3 Apparatus for testing the thermostatic valve in the air stream.....	19
6.2 Characteristic curves of thermostatic valves.....	20
6.2.1 Determination of the characteristic curves.....	20
6.2.2 Plotting of the theoretical curve.....	22
6.3 Testing of mechanical properties.....	23
6.3.1 Resistance to pressure, leak-tightness of the valve body assembly.....	23

6.3.2	Leak-tightness of the valve closed mechanically by means of the protection cap.....	24
6.3.3	Leak-tightness of the stem seal.....	24
6.3.4	Resistance of the valve body assembly to a bending moment .....	25
6.3.5	Resistance of the temperature selector to a torque.....	26
6.3.6	Resistance of the temperature selector to a bending moment .....	27
6.4	Testing of operating characteristics .....	27
6.4.1	Characteristic data .....	27
6.4.2	Endurance tests and temperature resistance test.....	30
6.5	Test schedule.....	31
7	Technical information to be published by the manufacturer .....	33
Annex A (normative) Thermostatic Radiator Valves - Dimensions and details on connection ....		35
A.1	General .....	35
A.2	Dimensions .....	35
A.3	Connection details.....	37
A.4	Materials for body, tailpiece and nut.....	37
A.5	Designation .....	38
A.6	Marking (This marking does not cover possible certification marking) .....	38
A.7	CA Value Calculation .....	38
Annex B (informative) Degree of turbulence of the air current in a room .....		39
Annex C (informative) Test block for thermostatic integrated valves .....		40
Bibliography .....		41

[oSIST prEN 215:2017](https://standards.iteh.ai/catalog/standards/sist/ff6c1ab0-1c76-4a79-a7a7-3eb8f556bd28/osist-pren-215-2017)

<https://standards.iteh.ai/catalog/standards/sist/ff6c1ab0-1c76-4a79-a7a7-3eb8f556bd28/osist-pren-215-2017>

**prEN 215:2017 (E)**

**European foreword**

This document (prEN 215:2017) has been prepared by Technical Committee CEN/TC 130 “Space heating appliances without integral heat sources”, the secretariat of which is held by UNI.

This document is currently submitted to the CEN Enquiry.

This document will supersede EN 215:2004.

This European Standard can be used as a reference for a CEN/CENELEC Certification Mark System on radiator valves.

**iTeh STANDARD PREVIEW  
(standards.iteh.ai)**

[oSIST prEN 215:2017](https://standards.iteh.ai/catalog/standards/sist/ff6c1ab0-1c76-4a79-a7a7-3eb8f556bd28/osist-pren-215-2017)

<https://standards.iteh.ai/catalog/standards/sist/ff6c1ab0-1c76-4a79-a7a7-3eb8f556bd28/osist-pren-215-2017>

## 1 Scope

This European Standard specifies definitions, requirements and test methods for thermostatic radiator valves (referred to hereafter as thermostatic valves).

This standard applies to two port thermostatic valves with or without pre-setting facility and thermostatic integrated valves with or without pre-setting facility for fitting to radiators in wet central heating installations up to a water temperature of 120 °C and a nominal pressure of PN 10.

This standard further specifies the dimensions, the materials and the connection details of four series of straight and angle pattern thermostatic radiator valves of nominal pressure  $\leq$  PN 10.

This standard can be used as reference in a CEN/CENELEC Certification Mark System on thermostatic radiator valves.

## 2 Normative references

The following documents, in whole or in part, are normatively referenced in this document and are indispensable for its application. For dated references, only the edition cited applies. For undated references, the latest edition of the referenced document (including any amendments) applies.

EN 1982, *Copper and copper alloys - Ingots and castings*

EN 12164, *Copper and copper alloys - Rod for free machining purposes*

EN 12168, *Copper and copper alloys - Hollow rod for free machining purposes*

EN 12420, *Copper and copper alloys - Forgings*

EN 12449, *Copper and copper alloys - Seamless, round tubes for general purposes*

prEN 15316-2, *Heating systems and water based cooling systems in buildings - Method for calculation of system energy requirements and system efficiencies - Part 2: Space emission systems (heating and cooling)*

EN ISO 228-1, *Pipe threads where pressure-tight joints are not made on the threads - Part 1: Dimensions, tolerances and designation (ISO 228-1)*

ISO 7-1, *Pipe threads where pressure-tight joints are made on the threads - Part 1: Dimensions, tolerances and designation*

ISO 965-1, *ISO general purpose metric screw threads - Tolerances - Part 1: Principles and basic data.*

ISO 7268, *Pipe components - Definition of nominal pressure.*

## 3 Terms and definitions

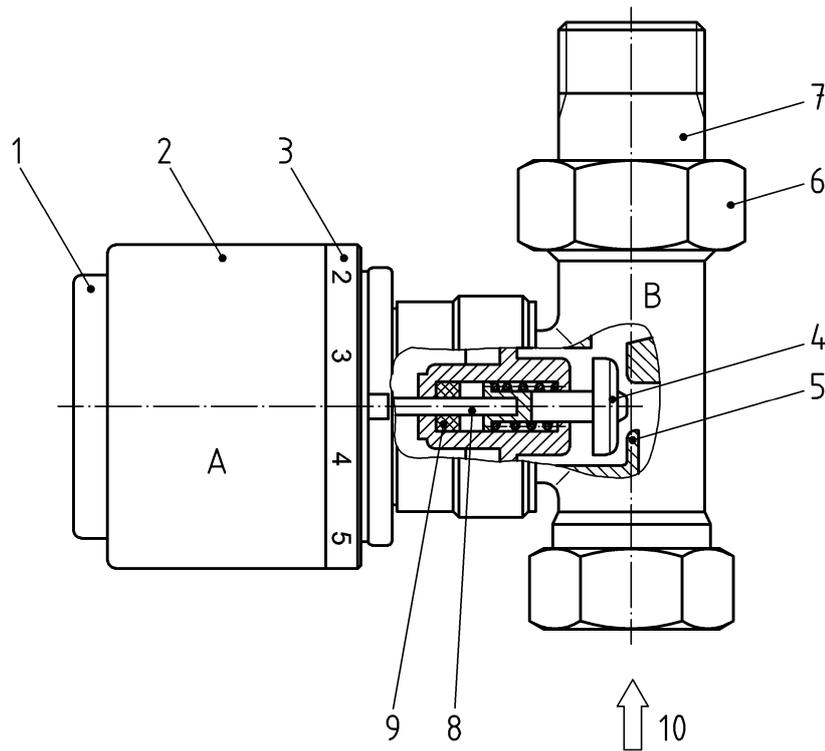
For the purposes of this document, the following terms and definitions apply.

### 3.1

#### **thermostatic radiator valve**

thermostatic head assembly and thermostatic valve assembly or the thermostatic integrated valve assembly

Note 1 to entry: See Figure 1 for components of the thermostatic radiator valve.

**Key**

A	thermostatic head assembly	5	valve seat
B	valve body assembly	6	union nut
1	sensor	7	tailpiece
2	temperature selector	8	valve stem
3	temperature selector scale	9	stem seal
4	valve disc	10	flow direction arrow

**Figure 1 — Schematic drawing of the assembly of a thermostatic valve with integral sensor**

**3.1.1****sensor**

part of the thermostatic valve that senses the temperature (controlled value)

Note 1 to entry: See Figure 2.

**3.1.2****transmission unit**

part of the thermostatic valve that converts a change of temperature or pressure of the sensor into a linear movement of the valve stem

Note 1 to entry: See Figure 2.

**3.1.3****transmission element**

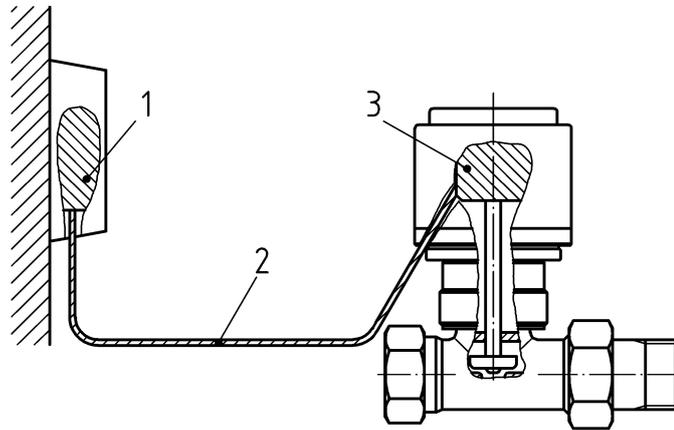
part of the thermostatic valve (e.g. capillary) that transmits the volume or pressure changes from the sensor or temperature selector to the transmission unit

Note 1 to entry: See Figure 2.

**3.1.4****thermostatic element**

section containing all parts that are filled with the expansion medium

EXAMPLE Sensor, transmission element and transmission unit, shown as cross hatched parts in Figure 2.

**Key**

- 1 sensor
- 2 transmission element
- 3 transmission unit

**ITeh STANDARD PREVIEW**  
(standards.iteh.ai)  
**Figure 2 — Thermostatic element**

[oSIST prEN 215:2017](https://standards.iteh.ai/catalog/standards/sist/ff6c1ab0-1c76-4a79-a7a7-3eb8f556bd28/osist-pren-215-2017)

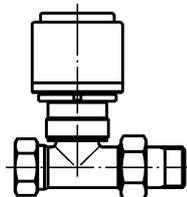
**3.1.5****protection cap**

device that protects the valve stem and thread before the initial fitting of the thermostatic head assembly

**3.2****types of thermostatic head assembly****3.2.1****thermostatic valve with integral sensor**

valve where the sensor, transmission unit and temperature selector constitute an assembly which is incorporated with the valve body assembly

Note 1 to entry: See Figure 3.



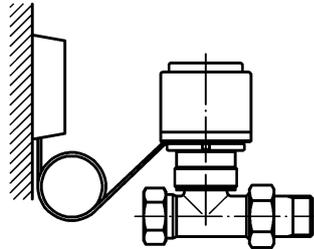
**Figure 3 — Thermostatic valve with integral sensor**

### 3.2.2

#### **thermostatic valve with integral temperature selector and with remote sensor**

valve where the temperature selector is incorporated within the valve but the sensor is separated from the transmission unit, and there is a transmission element between the sensor and the transmission unit

Note 1 to entry: See Figure 4.



**Figure 4 — Thermostatic valve with integral temperature selector with remote sensor**

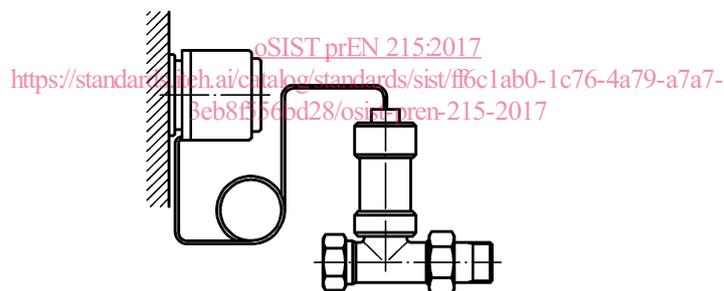
### 3.2.3

#### **thermostatic valve with the remote sensor incorporating the selector**

valve where the sensor and temperature selector assembly is mounted remotely from the valve body assembly and from the transmission unit, and there is a transmission element between the sensor and the transmission unit

**iTeh STANDARD PREVIEW**  
(standards.iteh.ai)

Note 1 to entry: See Figure 5.



**Figure 5 — Thermostatic valve with the remote sensor incorporating the selector**

### 3.2.4

#### **thermostatic valve with remote sensor and remote selector**

valve where both the sensor and the temperature selector are separate from each other and from the valve body assembly with transmission unit, and there is a transmission element between the sensor and the transmission unit and between the temperature selector and the transmission unit

Note 1 to entry: See Figure 6.

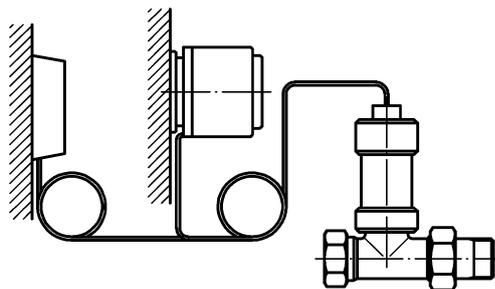


Figure 6 — Thermostatic valve with remote sensor and remote selector

### 3.2.5

#### thermostatic valve with pre-setting

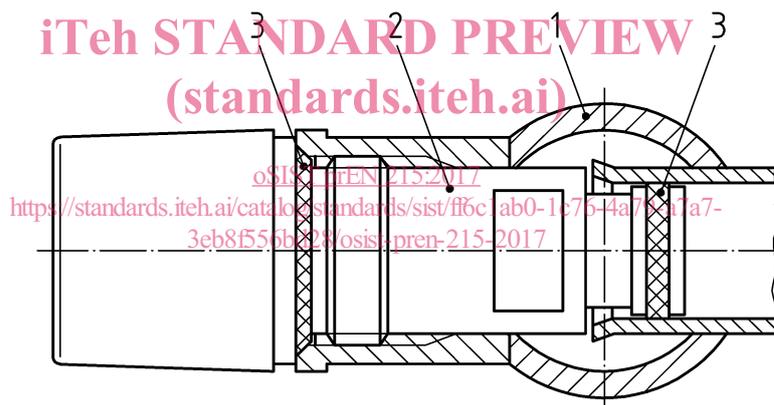
valve where a reduced flow rate can be obtained by means of mechanical pre-adjustment incorporated in the valve body assembly

### 3.2.6

#### type of thermostatic integrated valve

embedded valve including valve seat

Note 1 to entry: See Figure 7.



#### Key

- 1 garniture
- 2 integrated valve assembly
- 3 packing seal

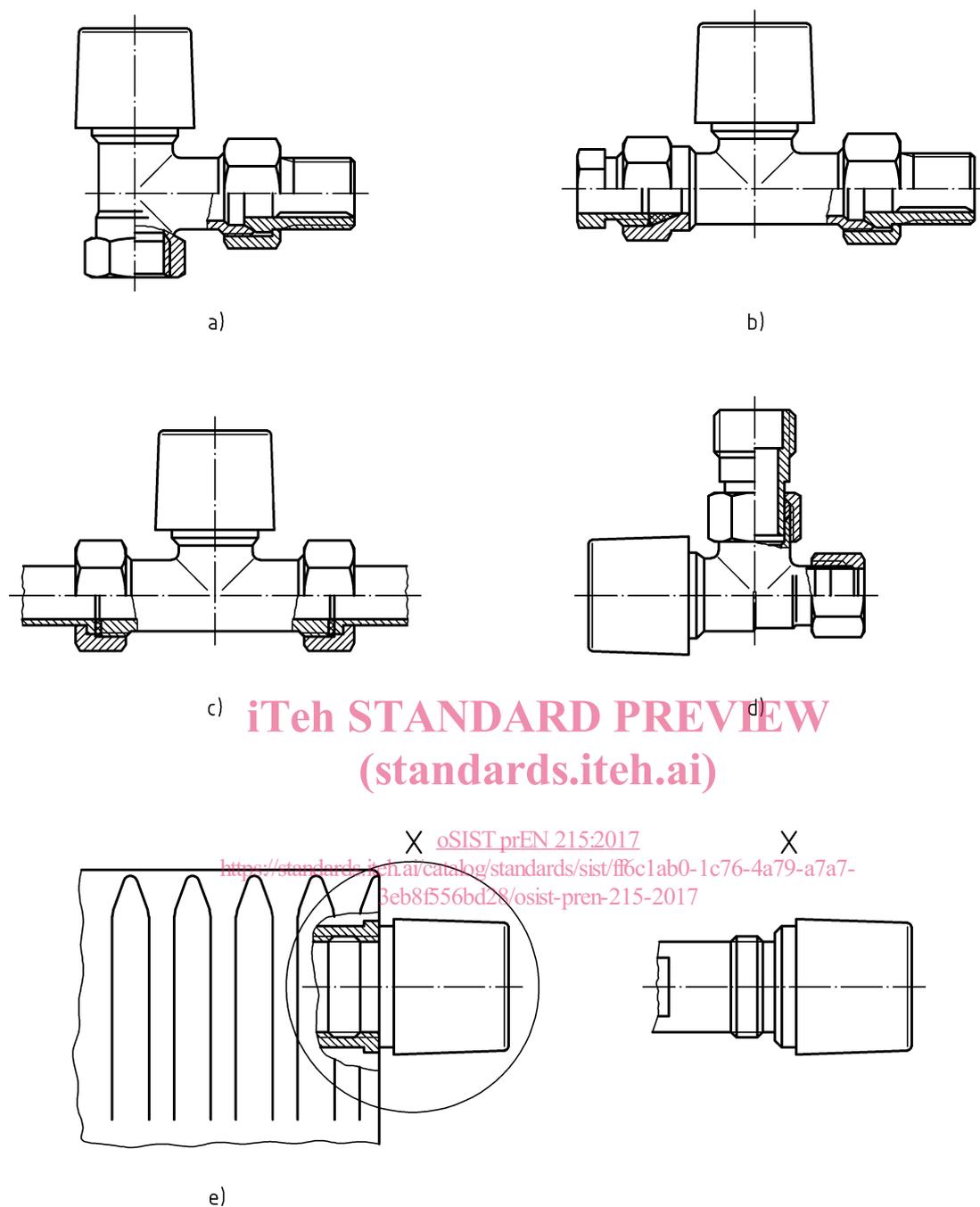
Figure 7 — Example of valve integrated in a radiator

### 3.3

#### types of connections

examples of connections used to fit the valve to the radiator and to the pipe work

Note 1 to entry: See Figure 8.

**Key**

- a) internal pipe thread and cone seated union
- b) compression fitting and cone seated union
- c) washered union connections
- d) compression fittings
- e) integrated valve

**Figure 8 — Types of radiator valve connections**

### 3.4 operating characteristics

#### 3.4.1 characteristic flow rate

$q_{m, s}$

water flow rate that is obtained at a temperature of point S-2K, and at a differential pressure of 10 kPa (0,1 bar), at any desired setting

#### 3.4.2 nominal flow rate

$q_{m, N}$

characteristic flow rate for an intermediate setting of the temperature selector according to 6.2.1.3.

Note 1 to entry: The nominal flow rate for thermostatic valves having a pre-setting facility is that obtained when the pre-setting facility is inoperative.

#### 3.4.3 maximum flow rate

$q_{m, max}$

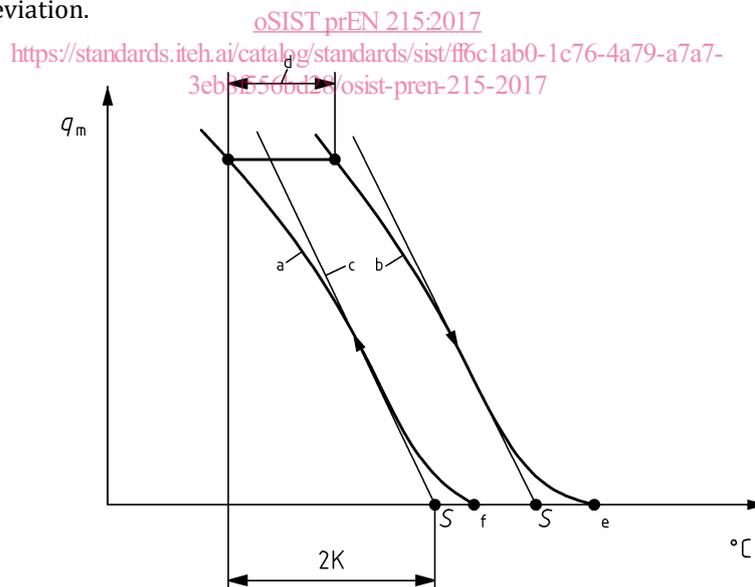
maximum water flow rate that can be obtained at a differential pressure of 10 kPa (0,1 bar)

#### 3.4.4 hysteresis

temperature difference between the opening and closing curves obtained at the same flow rate

Note 1 to entry: See Figure 9.

Note 2 to entry: If the opening and the closing curves cross each other the value of the hysteresis will be measured at 1 K P-deviation.



#### Key

$q_m$	flow rate	a	opening curve	S	temperature point S
$^{\circ}\text{C}$	water bath temperature	b	closing curve		
		c	theoretical curve		
		d	hysteresis		
		e	closing temperature		
		f	opening temperature		

Figure 9 — Explanatory graph of characteristic curves