

SLOVENSKI STANDARD

SIST EN 4165-024:2017

01-maj-2017

Nadomešča:

SIST EN 4165-024:2011

Aeronavtika - Konektorji, električni, pravokotni, modularni - Stalna delovna temperatura 175 °C - 024. del: Enojni modulni vtič - Standard za proizvod

Aerospace series - Connectors, electrical, rectangular, modular - Operating temperature 175 °C continuous - Part 024: Single module plug - Product standard

Luft- und Raumfahrt - Elektrischer Rechtecksteckverbinder in modularer Bauweise - Betriebstemperatur 175 °C konstant - Teil 024: Freier Steckverbinder für Einzelmodule - Produktnorm

[SIST EN 4165-024:2017](#)

Série Aérospatiale - Connecteurs électriques rectangulaires, modulaires - Température d'utilisation 175 °C continu - Partie 024: Fiche mono-module - Norme de produit

Ta slovenski standard je istoveten z: EN 4165-024:2017

ICS:

31.220.10	Vtiči in vtičnice, konektorji	Plug-and-socket devices. Connectors
49.060	Letalska in vesoljska električna oprema in sistemi	Aerospace electric equipment and systems

SIST EN 4165-024:2017

en,fr,de

iTeh STANDARD PREVIEW
(standards.iteh.ai)

[SIST EN 4165-024:2017](https://standards.iteh.ai/catalog/standards/sist/f03fc747-379e-4b18-a739-af236a6fd9a5/sist-en-4165-024-2017)

<https://standards.iteh.ai/catalog/standards/sist/f03fc747-379e-4b18-a739-af236a6fd9a5/sist-en-4165-024-2017>

EUROPEAN STANDARD

EN 4165-024

NORME EUROPÉENNE

EUROPÄISCHE NORM

March 2017

ICS 49.060

Supersedes EN 4165-024:2011

English Version

Aerospace series - Connectors, electrical, rectangular, modular - Operating temperature 175 °C continuous - Part 024: Single module plug - Product standard

Série Aérospatiale - Connecteurs électriques
rectangulaires, modulaires - Température d'utilisation
175 °C continu - Partie 024: Fiche mono-module -
Norme de produit

Luft- und Raumfahrt - Elektrischer
Rechtecksteckverbinder in modularer Bauweise -
Betriebstemperatur 175 °C konstant - Teil 024: Freier
Steckverbinder für Einzelmodul - Produktnorm

This European Standard was approved by CEN on 26 October 2016.

CEN members are bound to comply with the CEN/CENELEC Internal Regulations which stipulate the conditions for giving this European Standard the status of a national standard without any alteration. Up-to-date lists and bibliographical references concerning such national standards may be obtained on application to the CEN-CENELEC Management Centre or to any CEN member.

This European Standard exists in three official versions (English, French, German). A version in any other language made by translation under the responsibility of a CEN member into its own language and notified to the CEN-CENELEC Management Centre has the same status as the official versions.

CEN members are the national standards bodies of Austria, Belgium, Bulgaria, Croatia, Cyprus, Czech Republic, Denmark, Estonia, Finland, Former Yugoslav Republic of Macedonia, France, Germany, Greece, Hungary, Iceland, Ireland, Italy, Latvia, Lithuania, Luxembourg, Malta, Netherlands, Norway, Poland, Portugal, Romania, Serbia, Slovakia, Slovenia, Spain, Sweden, Switzerland, Turkey and United Kingdom.



EUROPEAN COMMITTEE FOR STANDARDIZATION
COMITÉ EUROPÉEN DE NORMALISATION
EUROPÄISCHES KOMITEE FÜR NORMUNG

CEN-CENELEC Management Centre: Avenue Marnix 17, B-1000 Brussels

Contents		Page
European foreword.....		3
1	Scope.....	4
2	Normative references.....	4
3	Terms and definitions.....	4
4	Required characteristics.....	4
5	Designation.....	12
6	Marking.....	13
7	Technical specification.....	13

iTeh STANDARD PREVIEW
(standards.iteh.ai)

[SIST EN 4165-024:2017](https://standards.iteh.ai/catalog/standards/sist/f03fc747-379e-4b18-a739-af236a6fd9a5/sist-en-4165-024-2017)

<https://standards.iteh.ai/catalog/standards/sist/f03fc747-379e-4b18-a739-af236a6fd9a5/sist-en-4165-024-2017>

European foreword

This document (EN 4165-024:2017) has been prepared by the Aerospace and Defence Industries Association of Europe - Standardization (ASD-STAN).

After enquiries and votes carried out in accordance with the rules of this Association, this European Standard has received the approval of the National Associations and the Official Services of the member countries of ASD, prior to its presentation to CEN.

This European Standard shall be given the status of a national standard, either by publication of an identical text or by endorsement, at the latest by September 2017, and conflicting national standards shall be withdrawn at the latest by September 2017.

Attention is drawn to the possibility that some of the elements of this document may be the subject of patent rights. CEN [and/or CENELEC] shall not be held responsible for identifying any or all such patent rights.

This document supersedes EN 4165-024:2011.

According to the CEN-CENELEC Internal Regulations, the national standards organizations of the following countries are bound to implement this European Standard: Austria, Belgium, Bulgaria, Croatia, Cyprus, Czech Republic, Denmark, Estonia, Finland, Former Yugoslav Republic of Macedonia, France, Germany, Greece, Hungary, Iceland, Ireland, Italy, Latvia, Lithuania, Luxembourg, Malta, Netherlands, Norway, Poland, Portugal, Romania, Serbia, Slovakia, Slovenia, Spain, Sweden, Switzerland, Turkey and the United Kingdom.

(standards.iteh.ai)

[SIST EN 4165-024:2017](https://standards.iteh.ai/catalog/standards/sist/f03fc747-379e-4b18-a739-af236a6fd9a5/sist-en-4165-024-2017)

<https://standards.iteh.ai/catalog/standards/sist/f03fc747-379e-4b18-a739-af236a6fd9a5/sist-en-4165-024-2017>

EN 4165-024:2017 (E)**1 Scope**

This European Standard defines the single module plug used in the family of rectangular electrical connectors. The receptacle corresponding to this plug is defined in EN 4165-025. Accessories and protective cover corresponding to those plugs are defined in EN 4165-026. The cavity of this connector is uncoded, so it can accept polarized modules N, A, B, C and D as defined in EN 4165-002.

2 Normative references

The following documents, in whole or in part, are normatively referenced in this document and are indispensable for its application. For dated references, only the edition cited applies. For undated references, the latest edition of the referenced document (including any amendments) applies.

EN 2424, *Aerospace series — Marking of aerospace products*

EN 4165-001, *Aerospace series — Connectors, electrical, rectangular, modular — Operating temperature 175 °C continuous — Part 001: Technical specification*

EN 4165-002, *Aerospace series — Connectors, electrical, rectangular, modular — Operating temperature 175 °C continuous — Part 002: Specification of performance and contact arrangements*

EN 4165-025, *Aerospace series — Connectors, electrical, rectangular, modular — Operating temperature 175 °C continuous — Part 025: Module receptacle — Product standard*

EN 4165-026, *Aerospace series — Connectors, electrical, rectangular, modular — Operating temperature 175 °C continuous — Part 026: Accessories for single module connector — Product standard*

[SIST EN 4165-024:2017](https://standards.iteh.ai/catalog/standards/sist/f03fc747-379e-4b18-a739-af236a6fd9a5/sist-en-4165-024-2017)

<https://standards.iteh.ai/catalog/standards/sist/f03fc747-379e-4b18-a739-af236a6fd9a5/sist-en-4165-024-2017>

3 Terms and definitions

For the purposes of this document, the terms and definitions given in EN 4165-001 apply.

4 Required characteristics**4.1 Single module plug design**

Dimensions, alternative design and positions of keying polarization see EN 4165-001.

Colour of locking system according polarization, see Clause 5.

See Figures 1 to 8.

Dimensions are in millimetres.

Mass = 10,6 g max.

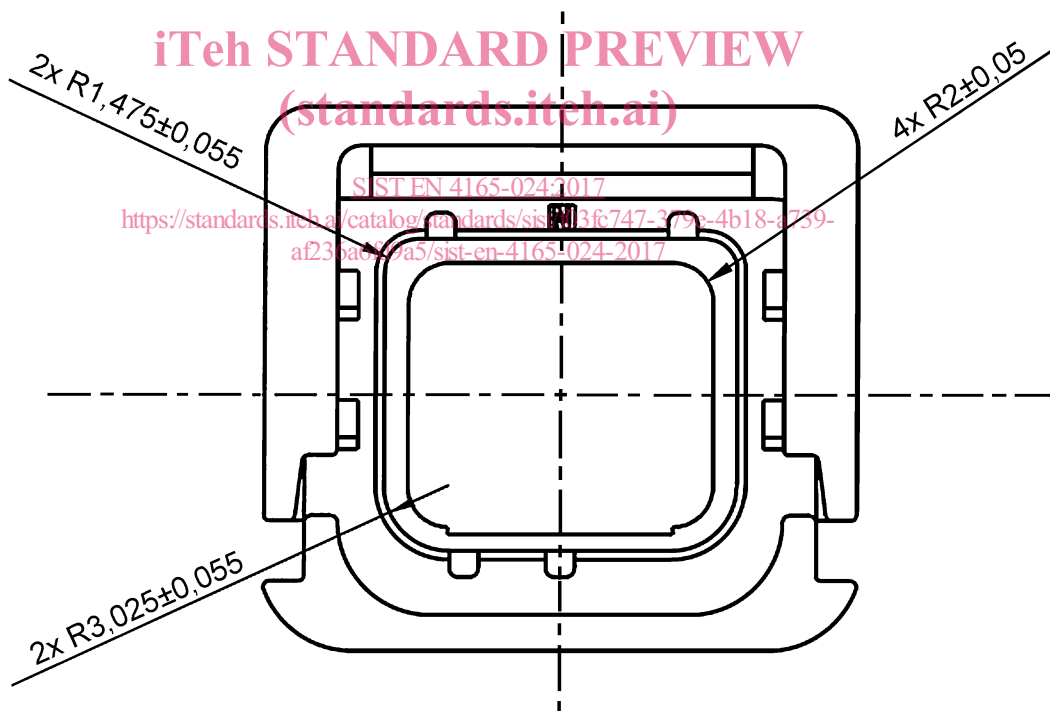
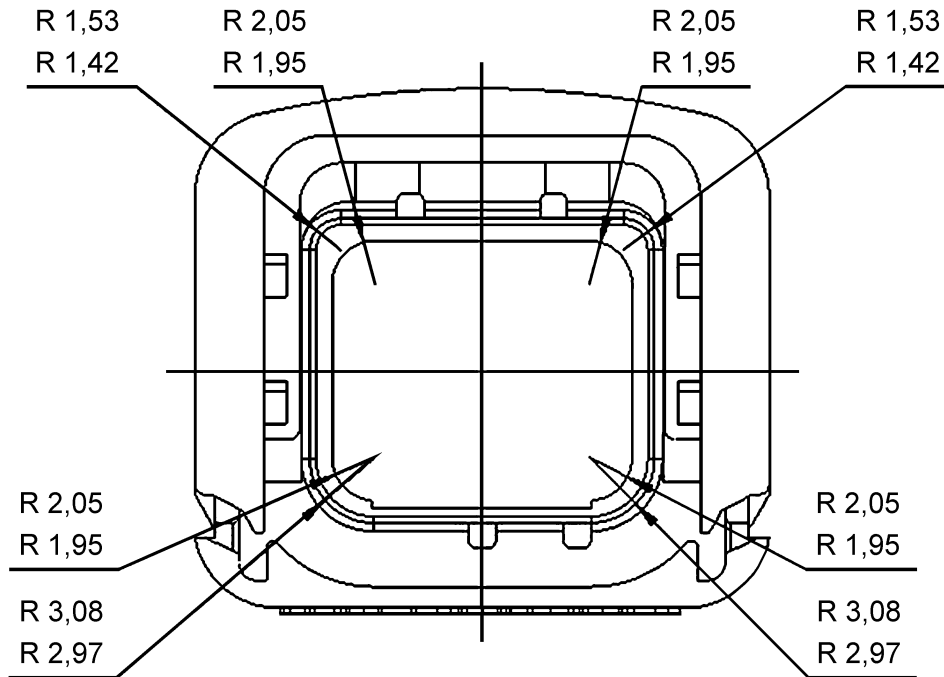
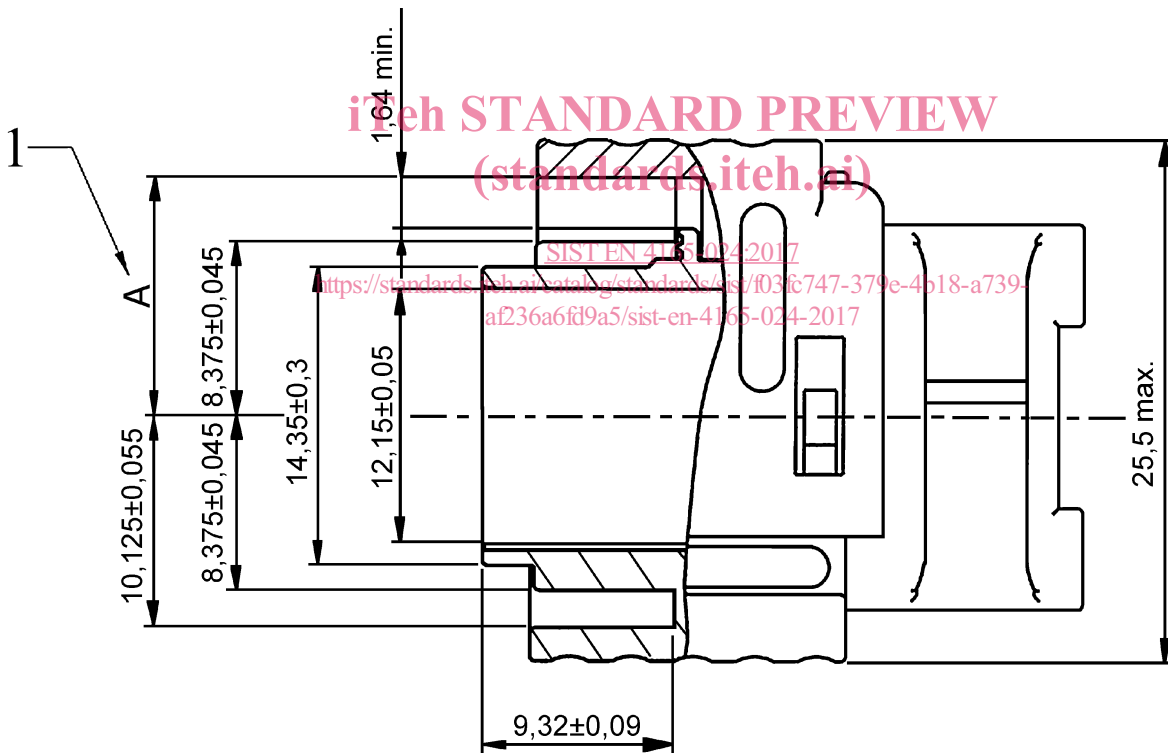
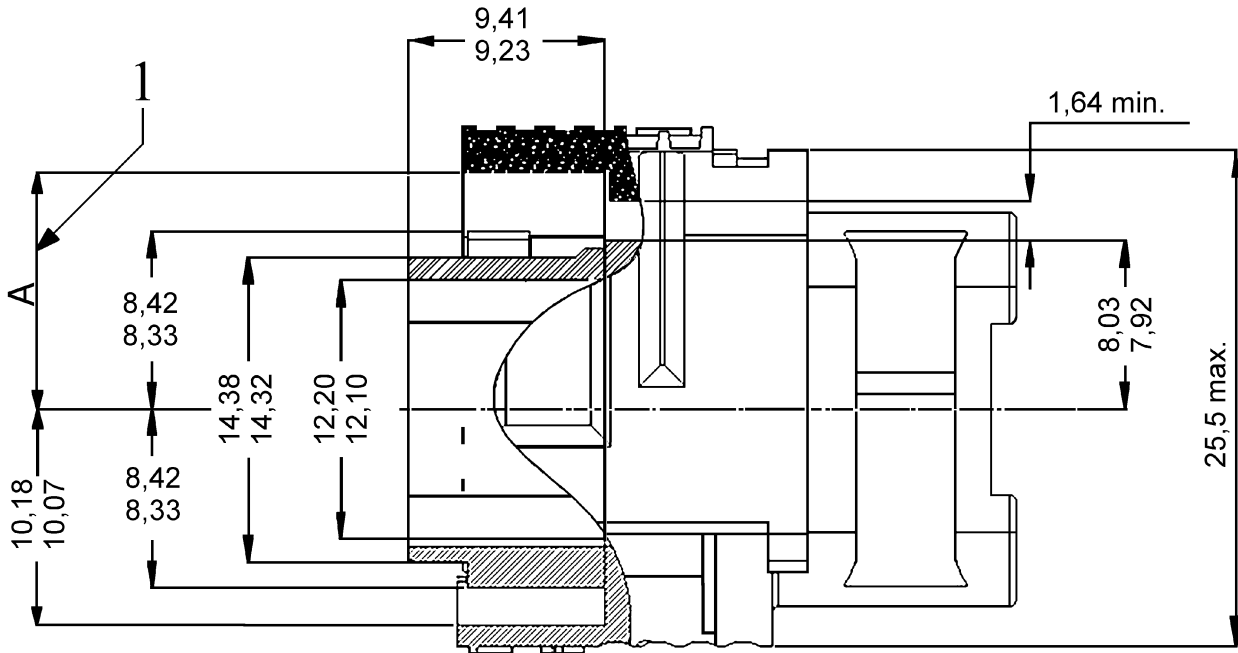


Figure 1 — With alternatives designs



Key

1 Locking side down $A = 9,1$ min.

Figure 2 — With alternatives designs

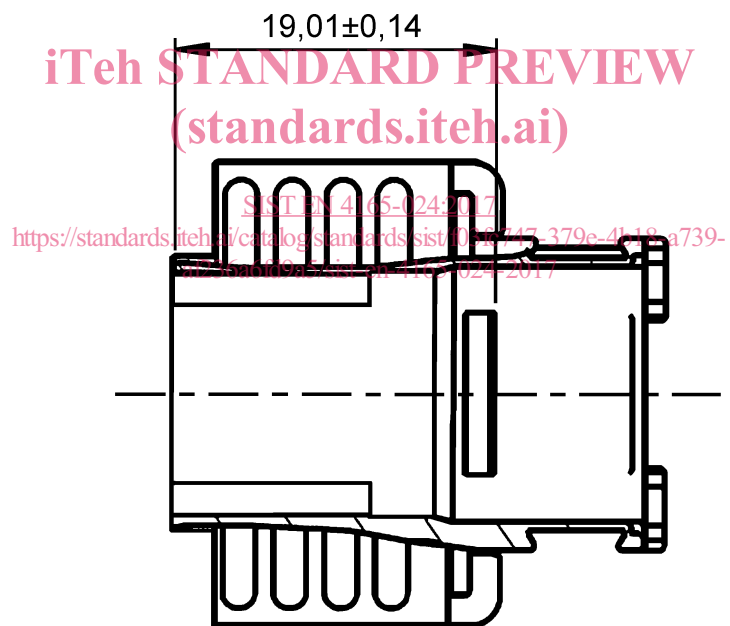
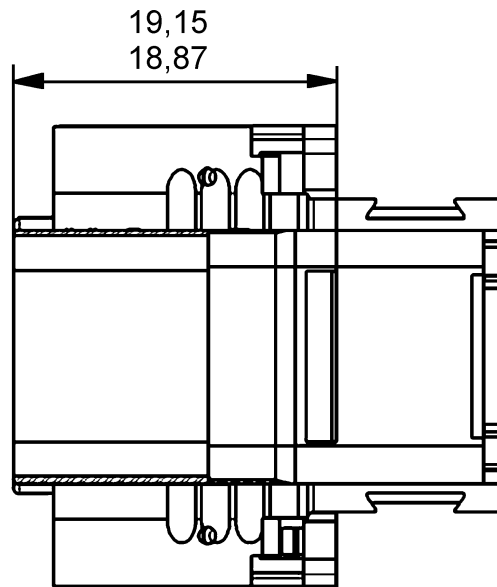


Figure 3 — With alternatives designs