
**Identification cards — Contactless
integrated circuit cards — Proximity
cards**

**Part 4:
Transmission protocol**

iTeh STANDARD PREVIEW
(standards.iteh.ai)

AMENDMENT 3 Bit rates of $3fc/4$, fc , $3fc/2$
and $2fc$ from PCD to PICC

ISO/IEC 14443-4:2008/Amd 3:2013
<https://standards.iteh.org/catalog/standards/si/7938916b-de72-4b7e-a70a-00a3590c9f8b/iso-iec-14443-4-2008-amd-3-2013>
Cartes d'identification — Cartes à circuit(s) intégré(s) sans contact —
Cartes de proximité
Partie 4: Protocole de transmission

AMENDEMENT 3: Débits binaires de $3fc/4$, fc , $3fc/2$ et $2fc$ de PCD vers
PICC

iTeh STANDARD PREVIEW (standards.iteh.ai)

[ISO/IEC 14443-4:2008/Amd 3:2013](https://standards.iteh.ai/catalog/standards/sist/7938916b-de72-4b7e-a70a-00a3590c9f8b/iso-iec-14443-4-2008-amd-3-2013)
<https://standards.iteh.ai/catalog/standards/sist/7938916b-de72-4b7e-a70a-00a3590c9f8b/iso-iec-14443-4-2008-amd-3-2013>



COPYRIGHT PROTECTED DOCUMENT

© ISO/IEC 2013

All rights reserved. Unless otherwise specified, no part of this publication may be reproduced or utilized otherwise in any form or by any means, electronic or mechanical, including photocopying, or posting on the internet or an intranet, without prior written permission. Permission can be requested from either ISO at the address below or ISO's member body in the country of the requester.

ISO copyright office
Case postale 56 • CH-1211 Geneva 20
Tel. + 41 22 749 01 11
Fax + 41 22 749 09 47
E-mail copyright@iso.org
Web www.iso.org

Published in Switzerland

Foreword

ISO (the International Organization for Standardization) and IEC (the International Electrotechnical Commission) form the specialized system for worldwide standardization. National bodies that are members of ISO or IEC participate in the development of International Standards through technical committees established by the respective organization to deal with particular fields of technical activity. ISO and IEC technical committees collaborate in fields of mutual interest. Other international organizations, governmental and non-governmental, in liaison with ISO and IEC, also take part in the work. In the field of information technology, ISO and IEC have established a joint technical committee, ISO/IEC JTC 1.

International Standards are drafted in accordance with the rules given in the ISO/IEC Directives, Part 2.

The main task of the joint technical committee is to prepare International Standards. Draft International Standards adopted by the joint technical committee are circulated to national bodies for voting. Publication as an International Standard requires approval by at least 75 % of the national bodies casting a vote.

Attention is drawn to the possibility that some of the elements of this document may be the subject of patent rights. ISO and IEC shall not be held responsible for identifying any or all such patent rights.

Amendment 3 to ISO/IEC 14443-4:2008 was prepared by Joint Technical Committee ISO/IEC JTC 1, *Information technology*, Subcommittee SC 17, *Cards and personal identification*.

ISO STANDARD PREVIEW

(standards.iteh.ai)

[ISO/IEC 14443-4:2008/Amd 3:2013](https://standards.iteh.ai/catalog/standards/sist/7938916b-de72-4b7e-a70a-00a3590c9f8b/iso-iec-14443-4-2008-amd-3-2013)

<https://standards.iteh.ai/catalog/standards/sist/7938916b-de72-4b7e-a70a-00a3590c9f8b/iso-iec-14443-4-2008-amd-3-2013>

iTeh STANDARD PREVIEW
(standards.iteh.ai)

[ISO/IEC 14443-4:2008/Amd 3:2013](https://standards.iteh.ai/catalog/standards/sist/7938916b-de72-4b7e-a70a-00a3590c9f8b/iso-iec-14443-4-2008-amd-3-2013)

<https://standards.iteh.ai/catalog/standards/sist/7938916b-de72-4b7e-a70a-00a3590c9f8b/iso-iec-14443-4-2008-amd-3-2013>

Identification cards — Contactless integrated circuit cards — Proximity cards

Part 4: Transmission protocol

AMENDMENT 3: Bit rates of $3fc/4$, fc , $3fc/2$ and $2fc$ from PCD to PICC

Clause 9

Add the following below Figure 24:

"For bit rates of $3fc/4$, fc , $3fc/2$ and $2fc$ see Annex D."

iTeh STANDARD PREVIEW
(standards.iteh.ai)

After Annex C

Add the following Annex D:

"

[ISO/IEC 14443-4:2008/Amd 3:2013
https://standards.iteh.ai/catalog/standards/sist/7938916b-de72-4b7e-a70a-00a3590c9f8b/iso-iec-14443-4-2008-amd-3-2013](https://standards.iteh.ai/catalog/standards/sist/7938916b-de72-4b7e-a70a-00a3590c9f8b/iso-iec-14443-4-2008-amd-3-2013)

Annex D
(normative)

Bit rates of $3fc/4$, fc , $3fc/2$ and $2fc$ from PCD to PICC

D.1 Function tags identifier definition

The information field shall contain tags and values as defined in Table D.1.

Table D.1 — Function tags identifier definition

Tag (Hex)	Description	Length (Hex)	Value		
'A1'	Bit rates Request	'0'	—		
'A2'	Bit rates Indication	L	Tag (Hex)	Length (Hex)	Value
			'80'	'02'	supported bit rates from PCD to PICC 1 st byte is specified in Figure 23 2 nd byte is specified in Figure D.1
			'81'	'02'	supported bit rates from PICC to PCD 1 st byte is specified in Figure 23 2 nd byte is RFU
			'82'	'01'	supported framing options PICC to PCD (see Figure 24) ^a
'A3'	Bit rates Activation	L	Tag (Hex)	Length (Hex)	Value
			'83'	'02'	selected bit rate from PCD to PICC ^b 1 st byte is specified in Figure 23 2 nd byte is specified in Figure D.1
			'84'	'02'	selected bit rate from PICC to PCD ^b 1 st byte is specified in Figure 23 2 nd byte is RFU
			'85'	'01'	selected framing options PICC to PCD (see Figure 24) ^{a,c}
'A4'	Bit rates Acknowledgement	'0'	—		

^a shall be omitted for Type A PICCs

^b The PCD shall set only one bit. The PCD shall not activate simultaneously a bit rate higher than $fc/16$ for PCD to PICC communication and a bit rate of $fc/128$ for PICC to PCD communication in Type A.

^c The PCD shall not set both b1 (start bit and stop bit suppression) and b2 (SOF and EOF suppression).

When the PCD sets b1 (start bit and stop bit suppression):

- The PICC shall use a SOF low time of 10 etu and a SOF high time of 2 etu.
- The PICC shall use an EOF low time of 10 etu.
- The PICC shall apply no character separation.

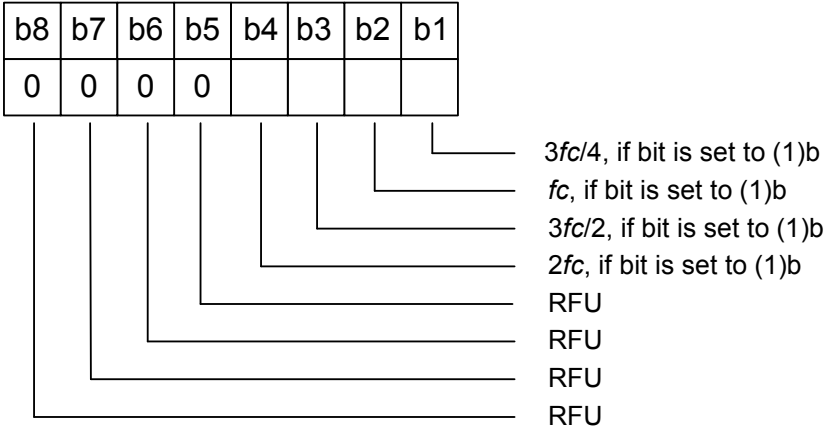


Figure D.1 —Coding of bit rates of $3fc/4$, fc , $3fc/2$ and $2fc$ from PCD to PICC

"

iTeh STANDARD PREVIEW
(standards.iteh.ai)

<https://standards.iteh.ai/catalog/standards/sist/7938916b-de72-4b7e-a70a-00a3590c9f8b/iso-iec-14443-4-2008-amd-3-2013>

iTeh STANDARD PREVIEW
(standards.iteh.ai)

[ISO/IEC 14443-4:2008/Amd 3:2013](https://standards.iteh.ai/catalog/standards/sist/7938916b-de72-4b7e-a70a-00a3590c9f8b/iso-iec-14443-4-2008-amd-3-2013)

<https://standards.iteh.ai/catalog/standards/sist/7938916b-de72-4b7e-a70a-00a3590c9f8b/iso-iec-14443-4-2008-amd-3-2013>

ICS 35.240.15

Price based on 3 pages