

---

---

**Rolling bearings — Accessories —  
Part 2:  
Dimensions for locknuts and locking  
devices**

*Roulements — Accessoires —*

*Partie 2: Dimensions des écrous à encoches et dispositifs de blocage*

<https://standards.iteh.ai>  
Document Preview

[ISO 2982-2:2013](https://standards.iteh.ai/catalog/standards/iso/797c6005-a083-4a9a-8635-05407788d801/iso-2982-2-2013)

<https://standards.iteh.ai/catalog/standards/iso/797c6005-a083-4a9a-8635-05407788d801/iso-2982-2-2013>



iTeh Standards  
(<https://standards.iteh.ai>)  
Document Preview

[ISO 2982-2:2013](https://standards.iteh.ai/catalog/standards/iso/797c6005-a083-4a9a-8635-05407788d801/iso-2982-2-2013)

<https://standards.iteh.ai/catalog/standards/iso/797c6005-a083-4a9a-8635-05407788d801/iso-2982-2-2013>



**COPYRIGHT PROTECTED DOCUMENT**

© ISO 2013

All rights reserved. Unless otherwise specified, no part of this publication may be reproduced or utilized otherwise in any form or by any means, electronic or mechanical, including photocopying, or posting on the internet or an intranet, without prior written permission. Permission can be requested from either ISO at the address below or ISO's member body in the country of the requester.

ISO copyright office  
Case postale 56 • CH-1211 Geneva 20  
Tel. + 41 22 749 01 11  
Fax + 41 22 749 09 47  
E-mail [copyright@iso.org](mailto:copyright@iso.org)  
Web [www.iso.org](http://www.iso.org)

Published in Switzerland

# Contents

	Page
<b>Foreword</b> .....	<b>iv</b>
<b>1 Scope</b> .....	<b>1</b>
<b>2 Normative references</b> .....	<b>1</b>
<b>3 Terms and definitions</b> .....	<b>1</b>
<b>4 Symbols</b> .....	<b>1</b>
4.1 General.....	1
4.2 Locknuts with 4 slots.....	2
4.3 Lockwashers with straight inner tab.....	3
4.4 Locknuts with 8 slots.....	4
4.5 Locking clip assemblies.....	5
<b>5 Dimensions</b> .....	<b>5</b>
5.1 Locknuts with 4 slots.....	5
5.2 Lockwashers with straight inner tab.....	7
5.3 Locknuts with 8 slots.....	8
5.4 Locking clip assemblies.....	9
<b>Annex A (informative) Lockwashers with bent inner tab</b> .....	<b>11</b>
<b>Bibliography</b> .....	<b>13</b>

iTeh Standards  
(<https://standards.iteh.ai>)  
Document Preview

[ISO 2982-2:2013](https://standards.iteh.ai/catalog/standards/iso/797c6005-a083-4a9a-8635-05407788d801/iso-2982-2-2013)

<https://standards.iteh.ai/catalog/standards/iso/797c6005-a083-4a9a-8635-05407788d801/iso-2982-2-2013>

## Foreword

ISO (the International Organization for Standardization) is a worldwide federation of national standards bodies (ISO member bodies). The work of preparing International Standards is normally carried out through ISO technical committees. Each member body interested in a subject for which a technical committee has been established has the right to be represented on that committee. International organizations, governmental and non-governmental, in liaison with ISO, also take part in the work. ISO collaborates closely with the International Electrotechnical Commission (IEC) on all matters of electrotechnical standardization.

International Standards are drafted in accordance with the rules given in the ISO/IEC Directives, Part 2.

The main task of technical committees is to prepare International Standards. Draft International Standards adopted by the technical committees are circulated to the member bodies for voting. Publication as an International Standard requires approval by at least 75 % of the member bodies casting a vote.

Attention is drawn to the possibility that some of the elements of this document may be the subject of patent rights. ISO shall not be held responsible for identifying any or all such patent rights.

ISO 2982-2 was prepared by Technical Committee ISO/TC 4, *Rolling bearings*.

This third edition cancels and replaces the second edition (ISO 2982-2:2001), which has been technically revised.

ISO 2982 consists of the following parts, under the general title *Rolling bearings — Accessories*:

- *Part 1: Dimensions for adapter sleeve assemblies and withdrawal sleeves*
- *Part 2: Dimensions for locknuts and locking devices*

[ISO 2982-2:2013](https://standards.iteh.ai/catalog/standards/iso/797c6005-a083-4a9a-8635-05407788d801/iso-2982-2-2013)

<https://standards.iteh.ai/catalog/standards/iso/797c6005-a083-4a9a-8635-05407788d801/iso-2982-2-2013>

# Rolling bearings — Accessories —

## Part 2: Dimensions for locknuts and locking devices

### 1 Scope

This part of ISO 2982 specifies:

- dimensions of locknuts;
- runout tolerance of locknut clamp face with respect to pitch diameter of screw thread;
- dimensions of lockwashers with straight inner tab for use with 4-slot locknuts;
- dimensions of locking clip assemblies for use with 8-slot locknuts.

The locknuts are also suitable for axial location of bearing inner rings on shafts and for dismounting of withdrawal sleeves.

For adapter sleeve assemblies and withdrawal sleeves, see ISO 2982-1.

### 2 Normative references

The following documents, in whole or in part, are normatively referenced in this document and are indispensable for its application. For dated references, only the edition cited applies. For undated references, the latest edition of the referenced document (including any amendments) applies.

ISO 5593, *Rolling bearings — Vocabulary*

ISO 15241, *Rolling bearings — Symbols for physical quantities*

### 3 Terms and definitions

For the purposes of this document, the terms and definitions given in ISO 5593 and the following apply.

#### 3.1

##### **locking clip**

part in C-shape for securing a locknut

#### 3.2

##### **locking clip assembly**

assembly comprising a locking clip and a bolt

### 4 Symbols

#### 4.1 General

For the purposes of this document, the symbols given in ISO 15241 and the following listed in [4.2](#), [4.3](#), [4.4](#) and [4.5](#) apply.

The symbols shown in [Figure 1](#), [Figure 2](#), [Figure 3](#) and [Figure 4](#) and the values given in [Table 1](#), [Table 2](#), [Table 3](#) and [Table 4](#) denote nominal dimensions, unless specified otherwise.

## 4.2 Locknuts with 4 slots

See [Figure 1](#).

$B$  locknut width

$b$  width of slot in locknut

$d_1$  outside diameter of clamp face of locknut

$d_2$  outside diameter of locknut

$G$  designation of screw thread

$h$  depth of slot in locknut

$t_s$  runout tolerance of locknut clamp face with respect to pitch diameter of screw thread

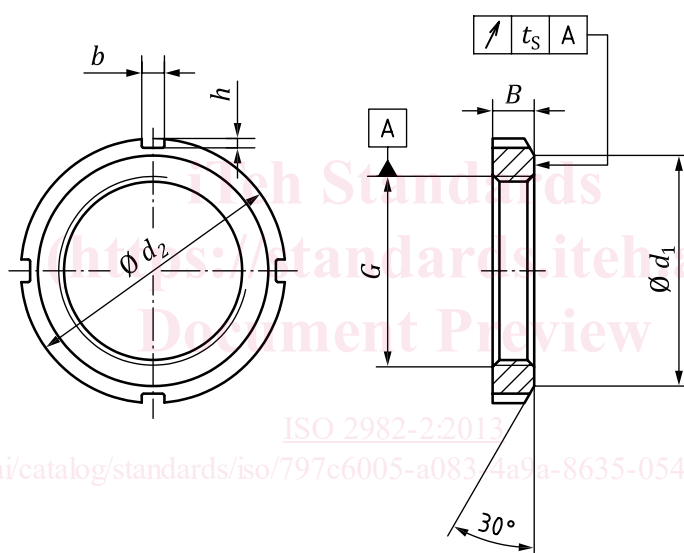


Figure 1 — Locknut with 4 slots