



# SLOVENSKI STANDARD

## SIST ISO 20515:2015

01-april-2015

Nadomešča:  
SIST ISO 20515:2008

---

**Kotalni ležaji - Radialni ležaji, zadrževalni žlebovi - Mere in tolerance**

Rolling bearings - Radial bearings, retaining slots - Dimensions and tolerances

**iTeh STANDARD PREVIEW**  
Roulements - Roulements radiaux, encoches de retenue - Dimensions et tolérances  
(standards.iteh.ai)

**Ta slovenski standard je istoveten z: ISO 20515:2012**

<https://standards.iteh.ai/catalog/standards/sist/f44c6da8-ab63-4f5a-9da2-38ea37668877/sist-iso-20515-2015>

---

**ICS:**

21.100.20      Kotalni ležaji      Rolling bearings

**SIST ISO 20515:2015**

**en,fr**

**iTeh STANDARD PREVIEW**  
**(standards.iteh.ai)**

[SIST ISO 20515:2015](#)

<https://standards.iteh.ai/catalog/standards/sist/f44c6da8-ab63-4f5a-9da2-38ca37668877/sist-iso-20515-2015>

---

---

**Rolling bearings — Radial bearings,  
retaining slots — Dimensions and  
tolerances**

*Roulements — Roulements radiaux, encoches de retenue —  
Dimensions et tolérances*

**iTeh STANDARD PREVIEW**  
**(standards.iteh.ai)**

[SIST ISO 20515:2015](https://standards.iteh.ai/catalog/standards/sist/f44c6da8-ab63-4f5a-9da2-38ca37668877/sist-iso-20515-2015)

<https://standards.iteh.ai/catalog/standards/sist/f44c6da8-ab63-4f5a-9da2-38ca37668877/sist-iso-20515-2015>



## iTeh STANDARD PREVIEW (standards.iteh.ai)

[SIST ISO 20515:2015](https://standards.iteh.ai/catalog/standards/sist/f44c6da8-ab63-4f5a-9da2-38ca37668877/sist-iso-20515-2015)

<https://standards.iteh.ai/catalog/standards/sist/f44c6da8-ab63-4f5a-9da2-38ca37668877/sist-iso-20515-2015>



### **COPYRIGHT PROTECTED DOCUMENT**

© ISO 2012

All rights reserved. Unless otherwise specified, no part of this publication may be reproduced or utilized in any form or by any means, electronic or mechanical, including photocopying and microfilm, without permission in writing from either ISO at the address below or ISO's member body in the country of the requester.

ISO copyright office  
Case postale 56 • CH-1211 Geneva 20  
Tel. + 41 22 749 01 11  
Fax + 41 22 749 09 47  
E-mail [copyright@iso.org](mailto:copyright@iso.org)  
Web [www.iso.org](http://www.iso.org)

Published in Switzerland

<b>Contents</b>		Page
<b>Foreword</b> .....		<b>iv</b>
<b>1</b>	<b>Scope</b> .....	<b>1</b>
<b>2</b>	<b>Normative references</b> .....	<b>1</b>
<b>3</b>	<b>Terms and definitions</b> .....	<b>1</b>
<b>4</b>	<b>Symbols</b> .....	<b>1</b>
<b>5</b>	<b>Dimensions</b> .....	<b>3</b>
<b>5.1</b>	<b>General</b> .....	<b>3</b>
<b>5.2</b>	<b>Single-row angular contact ball bearings and four-point-contact ball bearings</b> .....	<b>3</b>
<b>5.3</b>	<b>Radial cylindrical roller bearings</b> .....	<b>6</b>
<b>6</b>	<b>Tolerances</b> .....	<b>7</b>

**iTeh STANDARD PREVIEW**  
**(standards.iteh.ai)**

[SIST ISO 20515:2015](https://standards.iteh.ai/catalog/standards/sist/f44c6da8-ab63-4f5a-9da2-38ca37668877/sist-iso-20515-2015)

<https://standards.iteh.ai/catalog/standards/sist/f44c6da8-ab63-4f5a-9da2-38ca37668877/sist-iso-20515-2015>

**ISO 20515:2012(E)****Foreword**

ISO (the International Organization for Standardization) is a worldwide federation of national standards bodies (ISO member bodies). The work of preparing International Standards is normally carried out through ISO technical committees. Each member body interested in a subject for which a technical committee has been established has the right to be represented on that committee. International organizations, governmental and non-governmental, in liaison with ISO, also take part in the work. ISO collaborates closely with the International Electrotechnical Commission (IEC) on all matters of electrotechnical standardization.

International Standards are drafted in accordance with the rules given in the ISO/IEC Directives, Part 2.

The main task of technical committees is to prepare International Standards. Draft International Standards adopted by the technical committees are circulated to the member bodies for voting. Publication as an International Standard requires approval by at least 75 % of the member bodies casting a vote.

Attention is drawn to the possibility that some of the elements of this document may be the subject of patent rights. ISO shall not be held responsible for identifying any or all such patent rights.

ISO 20515 was prepared by Technical Committee ISO/TC 4, *Rolling bearings*, Subcommittee SC 12, *Ball bearings*.

This second edition cancels and replaces the first edition (ISO 20515:2007), of which it constitutes a minor revision. In particular, a new Figure 2 and a corrected title for Table 6 have been added.

**iTeh STANDARD PREVIEW**  
**(standards.iteh.ai)**

[SIST ISO 20515:2015](https://standards.iteh.ai/catalog/standards/sist/f44c6da8-ab63-4f5a-9da2-38ca37668877/sist-iso-20515-2015)

<https://standards.iteh.ai/catalog/standards/sist/f44c6da8-ab63-4f5a-9da2-38ca37668877/sist-iso-20515-2015>

# Rolling bearings — Radial bearings, retaining slots — Dimensions and tolerances

## 1 Scope

This International Standard specifies dimensions and tolerances of retaining slots to be used for outer rings of single-row angular contact ball bearings, four-point-contact ball bearings and radial cylindrical roller bearings. The retaining slots are not suitable for use in the outer rings of sealed and shielded radial ball bearings, nor in the outer rings of radial cylindrical roller bearings without ribs.

## 2 Normative references

The following referenced documents are indispensable for the application of this document. For dated references, only the edition cited applies. For undated references, the latest edition of the referenced document (including any amendments) applies.

ISO 15, *Rolling bearings — Radial bearings — Boundary dimensions, general plan*

ISO 1132-1, *Rolling bearings — Tolerances — Part 1: Terms and definitions*

ISO 5593, *Rolling bearings — Vocabulary*

ISO 15241, *Rolling bearings — Symbols for quantities*

## 3 Terms and definitions

For the purposes of this document, the terms and definitions given in ISO 1132-1 and ISO 5593 and the following apply.

### 3.1

#### retaining slot

angled slot in an outer ring at the intersection of the outside surface and the face of the ring

NOTE The slot is to provide a simple means of preventing rotation of the outer ring of a bearing.

## 4 Symbols

For the purposes of this document, the symbols given in ISO 15241 and the following apply.

The symbols (except those for tolerances) shown in Figure 1, and the values given in Tables 1 to 6, denote nominal dimensions, unless specified otherwise.

NOTE Figures 1 and 2 show four-point-contact ball bearings with one retaining slot and two retaining slots, respectively.

$b$	retaining slot width
$D$	outside diameter of outer ring
$h$	retaining slot depth
$r_0$	fillet radius at bottom of retaining slot
$t$	retaining slot symmetry or position tolerance

## ISO 20515:2012(E)

- $\Delta_{bs}$  deviation of a single retaining slot width  
 $\Delta_{hs}$  deviation of a single retaining slot depth

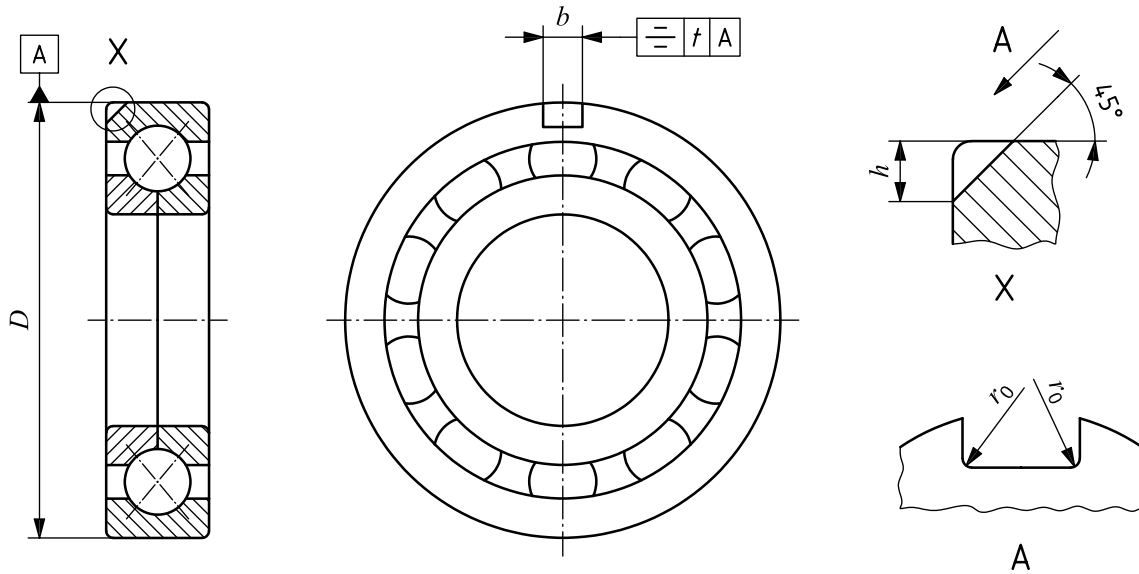


Figure 1 — Retaining slot in radial bearing with one retaining slot  
 iTeh STANDARD PREVIEW  
 (standards.iteh.ai)

SIST ISO 20515:2015

<https://standards.iteh.ai/catalog/standards/sist/f44c6da8-ab63-4f5a-9da2-38ca37668877/sist-iso-20515-2015>



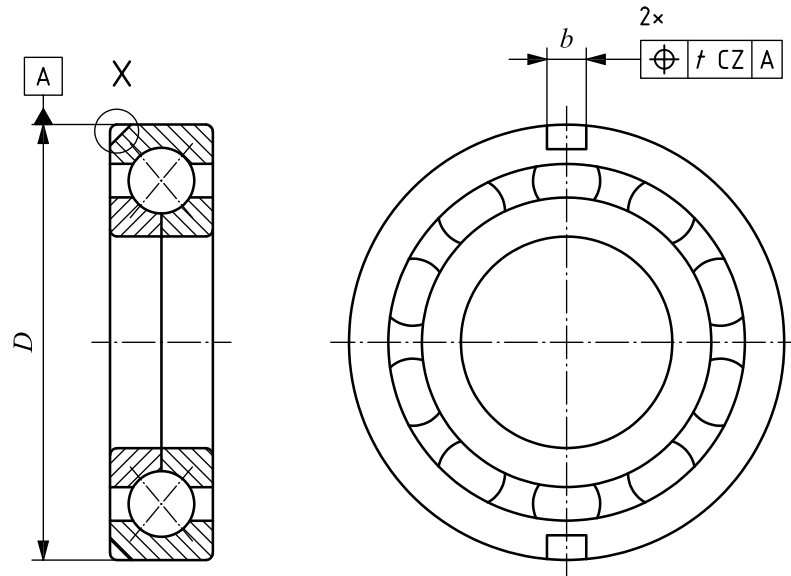


Figure 2 — Retaining slot in radial bearing with two diametrically opposed retaining slots

## 5 Dimensions

iTeh STANDARD PREVIEW  
(standards.iteh.ai)

### 5.1 General

The dimensions for retaining slots in single-row angular contact ball bearings and four-point-contact ball bearings of diameter series 0, 2, 3 and 4 and radial cylindrical roller bearings of dimension series 10, 02E, 22E, 03E, 23E and 04, are given in Tables 1 and 2 respectively.

The diameter series and dimension series referred to in Tables 1 and 2 are those defined in ISO 15.

NOTE For radial cylindrical roller bearings of dimension series 02E, 22E, 03E and 23E, the E signifies that they are of a design having reinforced roller and cage assembly and increased radial load-carrying capacity.

### 5.2 Single-row angular contact ball bearings and four-point-contact ball bearings

Table 1 — Diameter series 0, 2, 3 and 4

Dimensions in millimetres

$D$	Diameter series											
	0			2			3			4		
	$h$	$b$	$r_0$ max.	$h$	$b$	$r_0$ max.	$h$	$b$	$r_0$ max.	$h$	$b$	$r_0$ max.
40	—	—	—	2,5	3,5	0,5	—	—	—	—	—	—
47	2,5	3,5	0,5	3	4,5	0,5	3,5	4,5	0,5	—	—	—
50	—	—	—	3	4,5	0,5	—	—	—	—	—	—
52	3	3,5	0,5	3	4,5	0,5	3,5	4,5	0,5	3,5	4,5	0,5
55	3	3,5	0,5	—	—	—	—	—	—	—	—	—
56	—	—	—	—	—	—	3,5	4,5	0,5	—	—	—
58	3	3,5	0,5	3	4,5	0,5	—	—	—	—	—	—
62 <sup>a</sup>	3,5 <sup>a</sup>	4,5 <sup>a</sup>	0,5 <sup>a</sup>	3,5	4,5	0,5	3,5	4,5	0,5	3,5	4,5	0,5
65	—	—	—	3,5	4,5	0,5	—	—	—	—	—	—