
**Solid ball-nosed end mills with
cylindrical shanks, made of carbide and
ceramic materials**

*Fraises hémisphériques deux tailles monobloc à queue cylindrique, en
carbures métalliques et en céramique*

iTeh STANDARD PREVIEW
(standards.iteh.ai)

[ISO 15917:2012](https://standards.iteh.ai/catalog/standards/sist/698ad0b9-fc09-4bf8-8e2d-d6cfla5def81/iso-15917-2012)

[https://standards.iteh.ai/catalog/standards/sist/698ad0b9-fc09-4bf8-8e2d-
d6cfla5def81/iso-15917-2012](https://standards.iteh.ai/catalog/standards/sist/698ad0b9-fc09-4bf8-8e2d-d6cfla5def81/iso-15917-2012)



iTeh STANDARD PREVIEW (standards.iteh.ai)

ISO 15917:2012

<https://standards.iteh.ai/catalog/standards/sist/698ad0b9-fc09-4bf8-8e2d-d6cfla5def81/iso-15917-2012>



COPYRIGHT PROTECTED DOCUMENT

© ISO 2012

All rights reserved. Unless otherwise specified, no part of this publication may be reproduced or utilized in any form or by any means, electronic or mechanical, including photocopying and microfilm, without permission in writing from either ISO at the address below or ISO's member body in the country of the requester.

ISO copyright office
Case postale 56 • CH-1211 Geneva 20
Tel. + 41 22 749 01 11
Fax + 41 22 749 09 47
E-mail copyright@iso.org
Web www.iso.org

Published in Switzerland

Foreword

ISO (the International Organization for Standardization) is a worldwide federation of national standards bodies (ISO member bodies). The work of preparing International Standards is normally carried out through ISO technical committees. Each member body interested in a subject for which a technical committee has been established has the right to be represented on that committee. International organizations, governmental and non-governmental, in liaison with ISO, also take part in the work. ISO collaborates closely with the International Electrotechnical Commission (IEC) on all matters of electrotechnical standardization.

International Standards are drafted in accordance with the rules given in the ISO/IEC Directives, Part 2.

The main task of technical committees is to prepare International Standards. Draft International Standards adopted by the technical committees are circulated to the member bodies for voting. Publication as an International Standard requires approval by at least 75 % of the member bodies casting a vote.

Attention is drawn to the possibility that some of the elements of this document may be the subject of patent rights. ISO shall not be held responsible for identifying any or all such patent rights.

ISO 15917 was prepared by Technical Committee ISO/TC 29, *Small tools*, Subcommittee SC 9, *Tools with cutting edges made of hard cutting materials*.

This second edition cancels and replaces the first edition (ISO 15917:2007), which has been technically revised.

iTeh STANDARD PREVIEW (standards.iteh.ai)

[ISO 15917:2012](https://standards.iteh.ai/catalog/standards/sist/698ad0b9-fc09-4bf8-8e2d-d6cfla5def81/iso-15917-2012)

<https://standards.iteh.ai/catalog/standards/sist/698ad0b9-fc09-4bf8-8e2d-d6cfla5def81/iso-15917-2012>

iTeh STANDARD PREVIEW
(standards.iteh.ai)

ISO 15917:2012

<https://standards.iteh.ai/catalog/standards/sist/698ad0b9-fc09-4bf8-8e2d-d6cfla5def81/iso-15917-2012>

Solid ball-nosed end mills with cylindrical shanks, made of carbide and ceramic materials

1 Scope

This International Standard specifies types and dimensions of solid ball-nosed end mills with cylindrical shanks made of carbide and ceramic materials according to ISO 513.

NOTE The symbols for dimensions shown in figures in the tables of this International Standard and the corresponding preferred symbols of properties defined in the ISO 13399 series are shown in Table A.1.

2 Normative references

The following referenced documents are indispensable for the application of this document. For dated references, only the edition cited applies. For undated references, the latest edition of the referenced document (including any amendments) applies.

ISO 286-2, *Geometrical product specifications (GPS) — ISO code system for tolerances on linear sizes — Part 2: Tables of standard tolerance classes and limit deviations for holes and shafts*

3 Types of solid ball-nosed end mills

Solid ball-nosed end mills are divided into the following two types:

- type 1: solid ball-nosed end mills, short according to Figure 1 and Table 1;
- type 2: solid ball-nosed end mills, long according to Figure 2 and Table 2.

NOTE Both types of ball-nosed end mills can be designed with or without recess. The dimension of the recess is shown as the neck diameter (diameter of recess), d_3 , in Figure 1 and Figure 2.

4 Dimensions

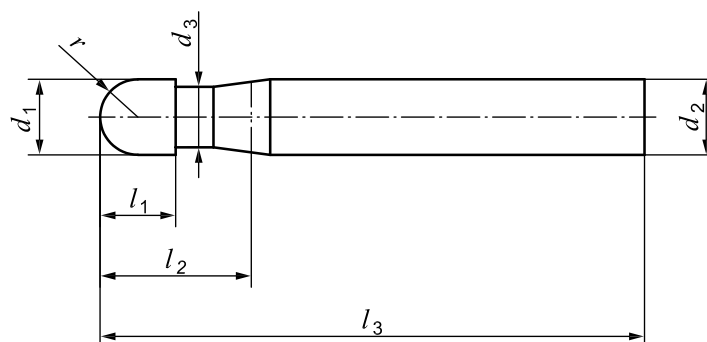


Figure 1 — Type 1 — Ball-nosed end mills, short

Table 1 — Type 1 — Ball-nosed end mills, short

Dimensions in millimetres

Cutting diameter d_1^b	Radius $r = d_1/2^b$	Length of cut $l_{1,min}$	Useable length $l_{2,min}^a$	Diameter of recess d_3^d	Overall length l_3 $+2$ 0	Shank diameter d_2^c h6
0,2	(Blank column)	0,2	0,4	(Blank column)	38,0	3,0
0,3		0,3	0,6			
0,4		0,4	0,8			
0,5		0,5	1,0			
0,6		0,6	1,2			
0,8		0,8	1,6			
1,0		1,0	2,0		43,0	4,0
1,2		1,2	2,4			
1,4		1,4	2,8			
1,5		1,5	3,0			
1,6		1,6	3,2			
1,8		1,8	3,6			
2,0		2,0	4,0		57,0	6,0
2,5		2,5	5,0			
3,0		3,0	6,0			
3,5		3,5	7,0			
4,0		4,0	8,0			
4,5		4,5	9,0			
5,0		5,0	10,0			
5,5		5,5	11,0			
6,0	6,0	12,0				
7,0	7,0	14,0	63,0	8,0		
8,0	8,0	16,0				
9,0	9,0	18,0	72,0	10,0		
10,0	10,0	20,0				
11,0	11,0	22,0	83,0	12,0		
12,0	12,0	24,0				
13,0	13,0	26,0		14,0		
14,0	14,0	28,0				
16,0	16,0	32,0	92,0	16,0		
18,0	18,0	36,0		18,0		
20,0	20,0	40,0		20,0		

^a l_2 is taken as the length extended in parallel to the axis from the top of end mill to the intersection of the cutting diameter, d_1 , and a recess taper part.

^b Tolerance is at the manufacturer's discretion.

^c Tolerances on d_2 in accordance with ISO 286-2.

^d Dimension is at the manufacturer's discretion.

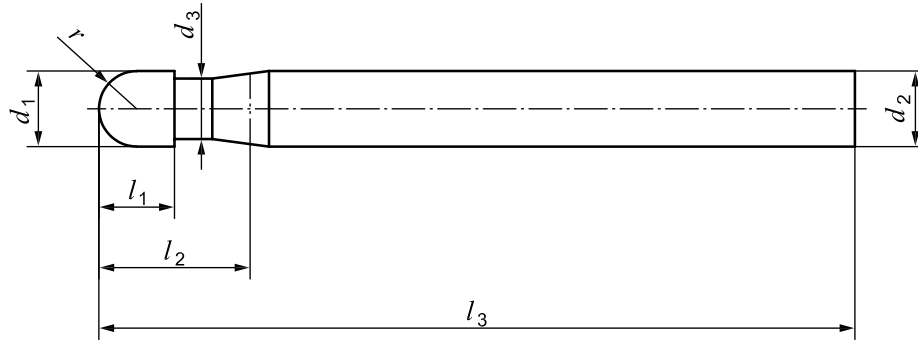


Figure 2 — Type 2 — Ball-nosed end mills, long

iTeh STANDARD PREVIEW
(standards.iteh.ai)

ISO 15917:2012

<https://standards.iteh.ai/catalog/standards/sist/698ad0b9-fc09-4bf8-8e2d-d6cfla5def81/iso-15917-2012>

Table 2 — Type 2 — Ball-nosed end mills, long

Dimensions in millimetres

Cutting diameter d_1^b	Radius $r = d_1/2^b$	Length of cut $l_{1,min}$	Useable length $l_{2,min}^a$	Diameter of recess d_3^d	Overall length l_3 $+2$ 0	Shank diameter d_2^c h6
0,2	(Blank column)	0,2	0,4	(Blank column)	50,0	3,0
0,3		0,3	0,6			
0,4		0,4	0,8			
0,5		0,5	1,0			
0,6		0,6	1,2			
0,8		0,8	1,6			
1,0		1,0	2,0		60,0	4,0
1,2		1,2	2,4			
1,4		1,4	2,8			
1,5		1,5	3,0			
1,6		1,6	3,2			
1,8		1,8	3,6			
2,0		2,0	4,0		80,0	6,0
2,5		2,5	5,0			
3,0		3,0	6,0			
3,5		3,5	7,0			
4,0		4,0	8,0			
4,5		4,5	9,0			
5,0		5,0	10,0		100,0	8,0
5,5		5,5	11,0			
6,0		6,0	12,0			
6,0		6,0	12,0			
7,0		7,0	14,0			10,0
8,0		8,0	16,0			
8,0		8,0	16,0			
9,0		9,0	18,0		120,0	12,0
10,0		10,0	20,0			
10,0		10,0	20,0			
11,0		11,0	22,0			14,0
12,0		12,0	24,0			
13,0		13,0	26,0			
14,0		14,0	28,0		140,0	16,0
13,0	13,0	26,0				
14,0	14,0	28,0				
16,0	16,0	32,0				

iTeh STANDARD PREVIEW
(standards.iteh.ai)

ISO 15917:2012
<https://standards.iteh.ai/catalog/standards/sist/698d5c11-4b18-4e2d-d6c1a5de81/iso-15917-2012>
(Blank column)

Table 2 (continued)

Cutting diameter d_1^b	Radius $r = d_1/2^b$	Length of cut $l_{1,min}$	Useable length $l_{2,min}^a$	Diameter of recess d_3^d	Overall length l_3 $+2$ 0	Shank diameter d_2^c h6
18,0	(Blank column)	18,0	36,0	(Blank column)	160,0	18,0
18,0		18,0	36,0			20,0
20,0		20,0	40,0			
<p>^a l_2 is taken as the length extended in parallel to the axis from the top of end mill to the intersection of the cutting diameter, d_1, and a recess taper part.</p> <p>^b Tolerance is at the manufacturer's discretion.</p> <p>^c Tolerances on d_2 in accordance with ISO 286-2.</p> <p>^d Dimension is at the manufacturer's discretion.</p>						

iTeh STANDARD PREVIEW (standards.iteh.ai)

ISO 15917:2012

<https://standards.iteh.ai/catalog/standards/sist/698ad0b9-fc09-4bf8-8e2d-d6cfla5def81/iso-15917-2012>