

---

---

**Forestry machinery — Portable chain-saw  
hand-guards — Mechanical strength**

**Amendment 1**

*Matériel forestier — Protections des mains des scies à chaîne  
portatives — Résistance mécanique*

*Amendement 1*

**iTeh STANDARD PREVIEW**  
**(standards.iteh.ai)**

[ISO 6534:2007/Amd 1:2012](https://standards.iteh.ai/catalog/standards/sist/9aafab2c-1c77-4500-94f1-6b4c1afbd78e/iso-6534-2007-amd-1-2012)

<https://standards.iteh.ai/catalog/standards/sist/9aafab2c-1c77-4500-94f1-6b4c1afbd78e/iso-6534-2007-amd-1-2012>



## iTeh STANDARD PREVIEW (standards.iteh.ai)

[ISO 6534:2007/Amd 1:2012](https://standards.iteh.ai/catalog/standards/sist/9aafab2c-1c77-4500-94f1-6b4c1afbd78e/iso-6534-2007-amd-1-2012)

<https://standards.iteh.ai/catalog/standards/sist/9aafab2c-1c77-4500-94f1-6b4c1afbd78e/iso-6534-2007-amd-1-2012>



### **COPYRIGHT PROTECTED DOCUMENT**

© ISO 2012

All rights reserved. Unless otherwise specified, no part of this publication may be reproduced or utilized in any form or by any means, electronic or mechanical, including photocopying and microfilm, without permission in writing from either ISO at the address below or ISO's member body in the country of the requester.

ISO copyright office  
Case postale 56 • CH-1211 Geneva 20  
Tel. + 41 22 749 01 11  
Fax + 41 22 749 09 47  
E-mail [copyright@iso.org](mailto:copyright@iso.org)  
Web [www.iso.org](http://www.iso.org)

Published in Switzerland

## Foreword

ISO (the International Organization for Standardization) is a worldwide federation of national standards bodies (ISO member bodies). The work of preparing International Standards is normally carried out through ISO technical committees. Each member body interested in a subject for which a technical committee has been established has the right to be represented on that committee. International organizations, governmental and non-governmental, in liaison with ISO, also take part in the work. ISO collaborates closely with the International Electrotechnical Commission (IEC) on all matters of electrotechnical standardization.

International Standards are drafted in accordance with the rules given in the ISO/IEC Directives, Part 2.

The main task of technical committees is to prepare International Standards. Draft International Standards adopted by the technical committees are circulated to the member bodies for voting. Publication as an International Standard requires approval by at least 75 % of the member bodies casting a vote.

Attention is drawn to the possibility that some of the elements of this document may be the subject of patent rights. ISO shall not be held responsible for identifying any or all such patent rights.

Amendment 1 to ISO 6534:2007 was prepared by Technical Committee ISO/TC 23, *Tractors and machinery for agriculture and forestry*, Subcommittee SC 17, *Manually portable forest machinery*.

## iTeh STANDARD PREVIEW (standards.iteh.ai)

[ISO 6534:2007/Amd 1:2012](https://standards.iteh.ai/catalog/standards/sist/9aafab2c-1c77-4500-94f1-6b4c1afbd78e/iso-6534-2007-amd-1-2012)

<https://standards.iteh.ai/catalog/standards/sist/9aafab2c-1c77-4500-94f1-6b4c1afbd78e/iso-6534-2007-amd-1-2012>

**iTeh STANDARD PREVIEW**  
**(standards.iteh.ai)**

[ISO 6534:2007/Amd 1:2012](https://standards.iteh.ai/catalog/standards/sist/9aafab2c-1c77-4500-94f1-6b4c1afbd78e/iso-6534-2007-amd-1-2012)

<https://standards.iteh.ai/catalog/standards/sist/9aafab2c-1c77-4500-94f1-6b4c1afbd78e/iso-6534-2007-amd-1-2012>

# Forestry machinery — Portable chain-saw hand-guards — Mechanical strength

## Amendment 1

### Page iv, Introduction

Add the following as a new third paragraph:

In this document, the orientation of the blow has been changed to be towards the machine body instead of away from the body. This is to ensure the correct impact on the rear hand-guard for a machine with an anti-vibration system.

### Page 1, Normative references

Replace the reference to ISO 6533:2001 with the following:

ISO 6533:—<sup>1)</sup>, *Forestry machinery — Portable chain-saw front hand-guard — Dimensions and clearances*

Add the footnote:

1) To be published. (Revision of ISO 6533:2001)

<https://standards.iteh.ai/catalog/standards/sist/9aafab2c-1c77-4500-94f1-6b4c1afbd78e/iso-6534-2007-amd-1-2012>

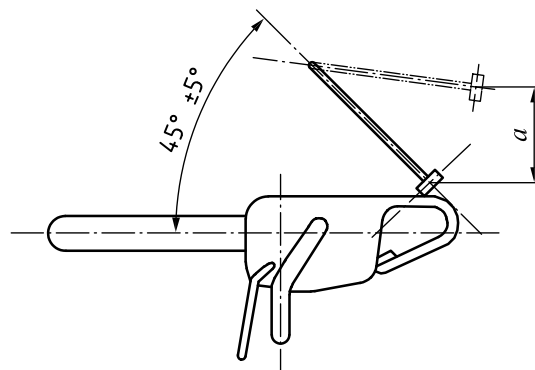
### Page 2, 5.2.2

Replace the reference “ISO 6533:2001” with the reference “ISO 6533:—”.

### Page 5, Figure 3

Replace Figure 3 a) with the following.

Dimensions in millimetres



#### Key

*a* fall height

#### a) Principle

Figure 3 — Impact test of rear hand-guard

**iTeh STANDARD PREVIEW**  
**(standards.iteh.ai)**

[ISO 6534:2007/Amd 1:2012](https://standards.iteh.ai/catalog/standards/sist/9aafab2c-1c77-4500-94f1-6b4c1afbd78e/iso-6534-2007-amd-1-2012)  
<https://standards.iteh.ai/catalog/standards/sist/9aafab2c-1c77-4500-94f1-6b4c1afbd78e/iso-6534-2007-amd-1-2012>

---

---

**ICS 65.60.80**

Price based on 1 page