



**SLOVENSKI STANDARD**  
**SIST EN 61439-5:2015/AC:2016**  
**01-februar-2016**

---

**Sestavi nizkonapetostnih stikalnih in krmilnih naprav - 5. del: Sestavi za distribucijo električne energije v javnih omrežjih - Popravek AC**

Low-voltage switchgear and controlgear assemblies - Part 5: Assemblies for power distribution in public networks

Niederspannungs-Schaltgerätekombinationen - Teil 5: Schaltgerätekombinationen in öffentlichen Energieverteilungsnetzen

Ensembles d'appareillage à basse tension - Partie 5: Ensembles pour réseaux de distribution publique

[SIST EN 61439-5:2015/AC:2016](https://standards.iteh.ai/catalog/standards/sist/8fc10064-20a5-42f8-889c-f27a3df6ce74/sist-en-61439-5-2015-ac-2016)

[https://standards.iteh.ai/catalog/standards/sist/8fc10064-20a5-42f8-889c-](https://standards.iteh.ai/catalog/standards/sist/8fc10064-20a5-42f8-889c-f27a3df6ce74/sist-en-61439-5-2015-ac-2016)

[f27a3df6ce74/sist-en-61439-5-2015-ac-2016](https://standards.iteh.ai/catalog/standards/sist/8fc10064-20a5-42f8-889c-f27a3df6ce74/sist-en-61439-5-2015-ac-2016)

**Ta slovenski standard je istoveten z: EN 61439-5:2015/AC:2015**

---

**ICS:**

29.130.20	Nizkonapetostne stikalne in krmilne naprave	Low voltage switchgear and controlgear
29.240.99	Druga oprema v zvezi z omrežji za prenos in distribucijo električne energije	Other equipment related to power transmission and distribution networks

**SIST EN 61439-5:2015/AC:2016**                      **en**

**iTeh STANDARD PREVIEW**  
**(standards.iteh.ai)**

[SIST EN 61439-5:2015/AC:2016](https://standards.iteh.ai/catalog/standards/sist/8fc10064-20a5-42f8-889c-f27a3dfce74/sist-en-61439-5-2015-ac-2016)

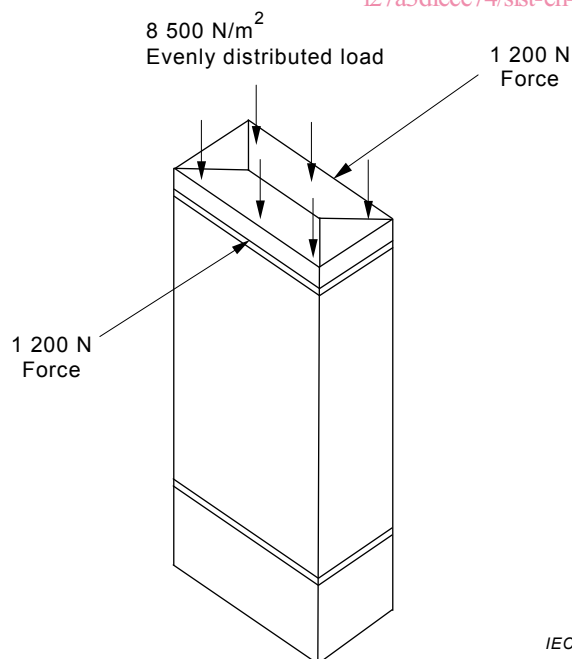
<https://standards.iteh.ai/catalog/standards/sist/8fc10064-20a5-42f8-889c-f27a3dfce74/sist-en-61439-5-2015-ac-2016>

INTERNATIONAL ELECTROTECHNICAL COMMISSION  
COMMISSION ÉLECTROTECHNIQUE INTERNATIONALEIEC 61439-5  
Edition 2.0 2014-08IEC 61439-5  
Édition 2.0 2014-08Low-voltage switchgear and controlgear  
assemblies –

Ensembles d'appareillage à basse tension –

Part 5: Assemblies for power distribution in  
public networksPartie 5: Ensembles pour réseaux de distribution  
publique

## CORRIGENDUM 1

Figure 104 – Diagram of test to verify  
the resistance to static loadiTeh STANDARD PREVIEW  
(standards.iteh.ai)Replace the existing figure by the  
following new figure:<https://standards.iteh.ai/catalog/standards/sist/8fc10064-20a5-42f8-889c-f27a3dfce74/sist-en-61439-5-2015-ac-2016>La correction concerne l'anglais  
seulement.

IEC

Figure 104 – Diagram of test to verify  
the resistance to static load