



SLOVENSKI STANDARD

SIST ISO 2982-1:2015

01-marec-2015

Nadomešča:
SIST ISO 2982-1:2001

Kotalni ležaji - Pomožni deli - 1. del: Mere za vpenjalne in odstranjene tulke

Rolling bearings - Accessories - Part 1: Dimensions for adapter sleeve assemblies and withdrawal sleeves

iTeh STANDARD PREVIEW

(standards.itech.ai)

Roulements - Accessoires - Partie 1: Dimensions des manchons de serrage et de démontage

[SIST ISO 2982-1:2015](https://standards.itech.ai/catalog/standards/sist/6ac31537-1798-4a27-9317-11290d97/sist-iso-2982-1:2015)

<https://standards.itech.ai/catalog/standards/sist/6ac31537-1798-4a27-9317-11290d97/sist-iso-2982-1:2015>

Ta slovenski standard je istoveten z: ISO 2982-1:2013

ICS:

21.100.20 Kotalni ležaji Rolling bearings

SIST ISO 2982-1:2015

en,fr

iTeh STANDARD PREVIEW
(standards.iteh.ai)

SIST ISO 2982-1:2015

<https://standards.iteh.ai/catalog/standards/sist/6ac31537-1798-4a27-9317-e414d1690d97/sist-iso-2982-1-2015>

INTERNATIONAL
STANDARD

ISO
2982-1

Second edition
2013-04-15

**Rolling bearings — Accessories —
Part 1:
Dimensions for adapter sleeve
assemblies and withdrawal sleeves**

Roulements — Accessoires —

Partie 1: Dimensions des manchons de serrage et de démontage
**iTeh STANDARD PREVIEW
(standards.iteh.ai)**

[SIST ISO 2982-1:2015](https://standards.iteh.ai/catalog/standards/sist/6ac31537-1798-4a27-9317-e414d1690d97/sist-iso-2982-1-2015)

[https://standards.iteh.ai/catalog/standards/sist/6ac31537-1798-4a27-9317-
e414d1690d97/sist-iso-2982-1-2015](https://standards.iteh.ai/catalog/standards/sist/6ac31537-1798-4a27-9317-e414d1690d97/sist-iso-2982-1-2015)



Reference number
ISO 2982-1:2013(E)

© ISO 2013

iTeh STANDARD PREVIEW
(standards.iteh.ai)

SIST ISO 2982-1:2015

<https://standards.iteh.ai/catalog/standards/sist/6ac31537-1798-4a27-9317-e414d1690d97/sist-iso-2982-1-2015>



COPYRIGHT PROTECTED DOCUMENT

© ISO 2013

All rights reserved. Unless otherwise specified, no part of this publication may be reproduced or utilized otherwise in any form or by any means, electronic or mechanical, including photocopying, or posting on the internet or an intranet, without prior written permission. Permission can be requested from either ISO at the address below or ISO's member body in the country of the requester.

ISO copyright office
Case postale 56 • CH-1211 Geneva 20
Tel. + 41 22 749 01 11
Fax + 41 22 749 09 47
E-mail copyright@iso.org
Web www.iso.org

Published in Switzerland

Contents

	Page
Foreword	iv
1 Scope	1
2 Normative references	1
3 Terms and definitions	1
4 Symbols	2
5 Dimensions	3
5.1 General	3
5.2 Adapter sleeve assemblies with taper 1:12	3
5.3 Withdrawal sleeves with taper 1:12	5
5.4 Withdrawal sleeves with taper 1:30	7

iTeh STANDARD PREVIEW (standards.iteh.ai)

[SIST ISO 2982-1:2015](https://standards.iteh.ai/catalog/standards/sist/6ac31537-1798-4a27-9317-e414d1690d97/sist-iso-2982-1-2015)

<https://standards.iteh.ai/catalog/standards/sist/6ac31537-1798-4a27-9317-e414d1690d97/sist-iso-2982-1-2015>

ISO 2982-1:2013(E)

Foreword

ISO (the International Organization for Standardization) is a worldwide federation of national standards bodies (ISO member bodies). The work of preparing International Standards is normally carried out through ISO technical committees. Each member body interested in a subject for which a technical committee has been established has the right to be represented on that committee. International organizations, governmental and non-governmental, in liaison with ISO, also take part in the work. ISO collaborates closely with the International Electrotechnical Commission (IEC) on all matters of electrotechnical standardization.

International Standards are drafted in accordance with the rules given in the ISO/IEC Directives, Part 2.

The main task of technical committees is to prepare International Standards. Draft International Standards adopted by the technical committees are circulated to the member bodies for voting. Publication as an International Standard requires approval by at least 75 % of the member bodies casting a vote.

Attention is drawn to the possibility that some of the elements of this document may be the subject of patent rights. ISO shall not be held responsible for identifying any or all such patent rights.

ISO 2982-1 was prepared by Technical Committee ISO/TC 4, *Rolling bearings*.

This second edition cancels and replaces the first edition (ISO 2982-1:1995), which has been technically revised. In particular, the title has been corrected and approximate values for B_2 are indicated.

ISO 2982 consists of the following parts, under the general title: *Rolling bearings — Accessories*:

- *Part 1: Dimensions for adapter sleeve assemblies and withdrawal sleeves*
- *Part 2: Dimensions for locknuts and locking devices*

SIST ISO 2982-1:2015
<https://standards.iteh.ai/catalog/standards/sist/6ac31537-1798-4a27-9317-e414d1690d97/sist-iso-2982-1-2015>

Rolling bearings — Accessories —

Part 1: Dimensions for adapter sleeve assemblies and withdrawal sleeves

1 Scope

This part of ISO 2982 specifies:

- boundary dimensions of adapter sleeves with taper 1:12 and withdrawal sleeves with tapers 1:12 and 1:30 for rolling bearings of a number of dimension series as specified in ISO 15;
- the outside diameter of suitable locknuts;
- distance from bearing small bore face to outer face of locknut;
- distance from bearing small bore face to outer face of bolt head;
- overall length of withdrawal sleeve and bearing ring.

2 Normative references

The following documents, in whole or in part, are normatively referenced in this document and are indispensable for its application. For dated references, only the edition cited applies. For undated references, the latest edition of the referenced document (including any amendments) applies.

ISO 15, *Rolling bearings — Radial bearings — Boundary dimensions, general plan*

ISO 2982-2, *Rolling bearings — Accessories — Part 2: Dimensions for locknuts and locking devices*

ISO 5593, *Rolling bearings — Vocabulary*

ISO 15241, *Rolling bearings — Symbols for physical quantities*

3 Terms and definitions

For the purposes of this document, the terms and definitions given in ISO 5593 and the following apply.

3.1

adapter sleeve assembly

assembly comprising an adapter sleeve, a locknut, and a locking device

3.2

locking clip

part in C-shape for securing a locknut

3.3

locking clip assembly

assembly comprising a locking clip and a bolt

ISO 2982-1:2013(E)

4 Symbols

For the purposes of this document, the symbols given in ISO 15241 and the following apply.

The symbols shown in [Figure 1](#) and the values given in [Table 1](#), [Table 2](#), [Table 3](#), [Table 4](#) and [Table 5](#) denote nominal dimensions, unless specified otherwise.

B_1	adapter sleeve length or withdrawal sleeve length
B_2	distance from bearing small bore face to outer face of locknut
B_3	distance from bearing small bore face to outer face of bolt head
B_4	overall length of withdrawal sleeve and bearing ring
B_5	slot width (for lockwasher inner tab or locking clip)
B_6	slot length
d	bearing bore diameter
d_1	bore diameter of sleeve
d_2	outside diameter of locknut
G	designation of screw thread

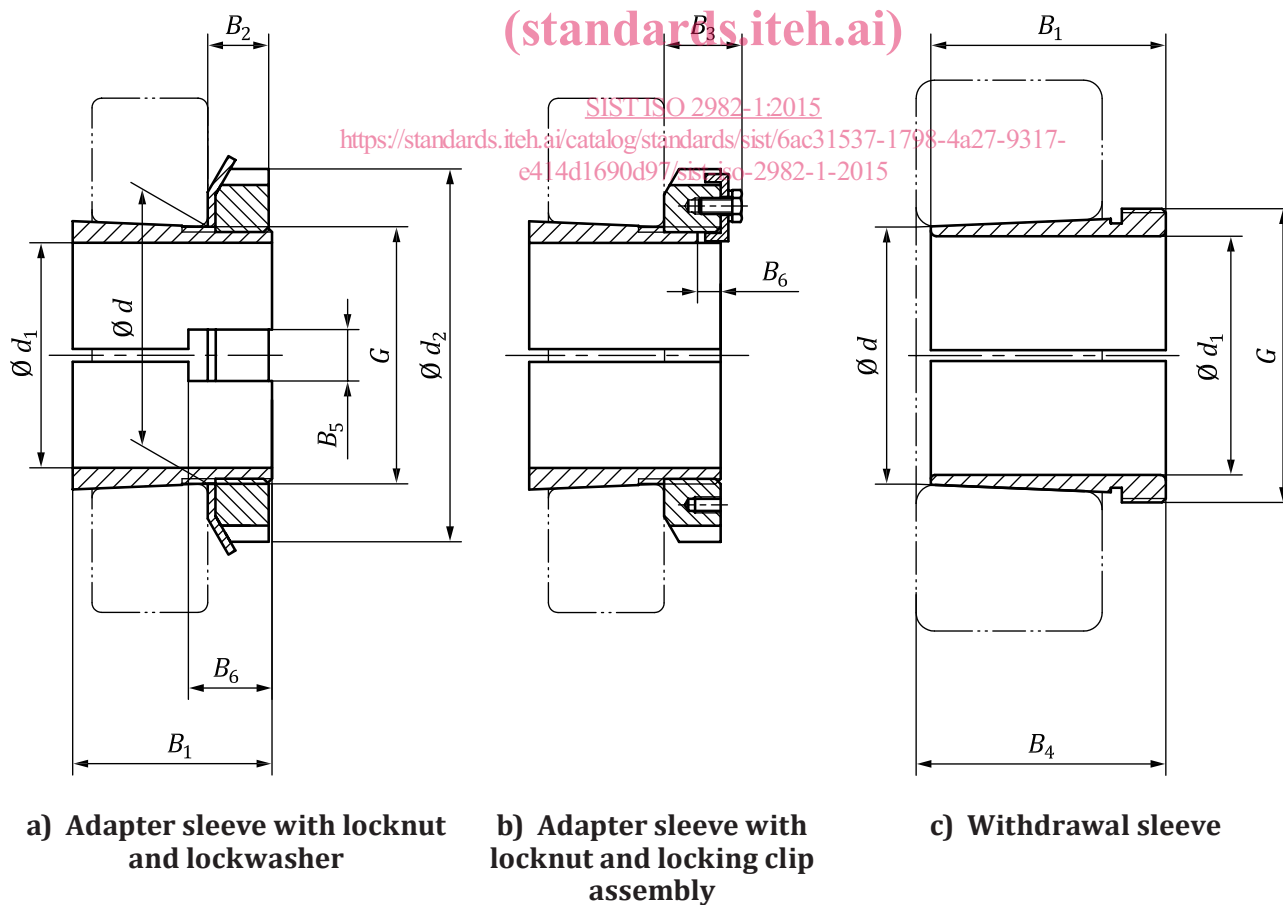


Figure 1 — Adapter sleeve assemblies and withdrawal sleeve

5 Dimensions

5.1 General

Dimensions of adapter sleeve assemblies and boundary dimensions of withdrawal sleeves and overall lengths of withdrawal sleeve and bearing ring are given in [Table 1](#), [Table 2](#), [Table 3](#), [Table 4](#) and [Table 5](#).

Thread lengths are not specified but shall be appropriate for securing adapter sleeve with locknut or for withdrawing a rolling bearing on the withdrawal sleeve with locknut. Dimensions of locknuts, lockwashers, and locking clip assemblies for the adapter sleeves are given in ISO 2982-2. The locknuts are also suitable for the dismounting of the withdrawal sleeves.

5.2 Adapter sleeve assemblies with taper 1:12

Dimensions of adapter sleeve assemblies with taper 1:12 are given in [Table 1](#), [Table 2](#) and [Table 3](#). Slot lengths, B_6 , are not specified but

- shall be at least long enough that lockwasher or locking clip can be installed when rolling bearing, adapter sleeve, and locknut are secured onto a shaft, and
- shall not be longer than 1,3 times thread lengths.

Table 1 — Dimensions of adapter sleeve assemblies with taper 1:12 ($15 \leq d \leq 110$)

Dimensions in millimetres

d	d_1	B_2 ≈	B_5 min.	d_2	B_1					G
					Suitable for bearing dimension series					
					02	22, 03	31	32	23	
15	12	6	5	25	19	22	—	—	25	M15 × 1
17	14	6	5	28	20	24	—	—	27	M17 × 1
20	17	7	5	32	24	28	—	—	31	M20 × 1
25	20	8	6	38	26	29	—	—	35	M25 × 1,5
30	25	8	6	45	27	31	—	—	38	M30 × 1,5
35	30	9	7	52	29	35	—	—	43	M35 × 1,5
40	35	10	7	58	31	36	—	—	46	M40 × 1,5
45	40	11	7	65	33	39	—	—	50	M45 × 1,5
50	45	12	7	70	35	42	—	—	55	M50 × 1,5
55	50	12	9	75	37	45	—	—	59	M55 × 2
60	55	13	9	80	38	47	—	—	62	M60 × 2
65	60	14	9	85	40	50	—	—	65	M65 × 2
70	60	14	9	92	41	52	—	—	68	M70 × 2
75	65	15	9	98	43	55	—	—	73	M75 × 2
80	70	17	11	105	46	59	—	—	78	M80 × 2
85	75	18	11	110	50	63	—	—	82	M85 × 2
90	80	18	11	120	52	65	—	86	86	M90 × 2
95	85	19	11	125	55	68	—	90	90	M95 × 2
100	90	20	13	130	58	71	76	97	97	M100 × 2
105	95	20	13	140	60	74	80	101	101	M105 × 2
110	100	21	13	145	63	77	81	105	105	M110 × 2