
**Polygonal taper interface with flange
contact surface —**

**Part 2:
Dimensions and designation of
receivers**

iTeh STANDARD PREVIEW
Interfaces à cône polygonal avec face d'appui —
(standards.iteh.ai) **Partie 2: Dimensions et désignation des nez de broche**

[ISO 26623-2:2014](https://standards.iteh.ai/catalog/standards/sist/34fa8553-dc91-49ab-9685-1922e7f7a32d/iso-26623-2-2014)

<https://standards.iteh.ai/catalog/standards/sist/34fa8553-dc91-49ab-9685-1922e7f7a32d/iso-26623-2-2014>



iTeh STANDARD PREVIEW
(standards.iteh.ai)

ISO 26623-2:2014

<https://standards.iteh.ai/catalog/standards/sist/34fa8553-dc91-49ab-9685-1922e7f7a32d/iso-26623-2-2014>



COPYRIGHT PROTECTED DOCUMENT

© ISO 2014

All rights reserved. Unless otherwise specified, no part of this publication may be reproduced or utilized otherwise in any form or by any means, electronic or mechanical, including photocopying, or posting on the internet or an intranet, without prior written permission. Permission can be requested from either ISO at the address below or ISO's member body in the country of the requester.

ISO copyright office
Case postale 56 • CH-1211 Geneva 20
Tel. + 41 22 749 01 11
Fax + 41 22 749 09 47
E-mail copyright@iso.org
Web www.iso.org

Published in Switzerland

Contents

	Page
Foreword	iv
1 Scope	1
2 Normative references	1
3 Dimensions	1
3.1 General	1
3.2 Polygon-receivers	1
4 Clamping forces	3
5 Designation	3
Annex A (informative) Recommendations for use and application	4
Bibliography	5

iTeh STANDARD PREVIEW (standards.iteh.ai)

[ISO 26623-2:2014](https://standards.iteh.ai/catalog/standards/sist/34fa8553-dc91-49ab-9685-1922e7f7a32d/iso-26623-2-2014)

<https://standards.iteh.ai/catalog/standards/sist/34fa8553-dc91-49ab-9685-1922e7f7a32d/iso-26623-2-2014>

Foreword

ISO (the International Organization for Standardization) is a worldwide federation of national standards bodies (ISO member bodies). The work of preparing International Standards is normally carried out through ISO technical committees. Each member body interested in a subject for which a technical committee has been established has the right to be represented on that committee. International organizations, governmental and non-governmental, in liaison with ISO, also take part in the work. ISO collaborates closely with the International Electrotechnical Commission (IEC) on all matters of electrotechnical standardization.

The procedures used to develop this document and those intended for its further maintenance are described in the ISO/IEC Directives, Part 1. In particular the different approval criteria needed for the different types of ISO documents should be noted. This document was drafted in accordance with the editorial rules of the ISO/IEC Directives, Part 2 (see www.iso.org/directives).

Attention is drawn to the possibility that some of the elements of this document may be the subject of patent rights. ISO shall not be held responsible for identifying any or all such patent rights. Details of any patent rights identified during the development of the document will be in the Introduction and/or on the ISO list of patent declarations received (see www.iso.org/patents).

Any trade name used in this document is information given for the convenience of users and does not constitute an endorsement.

For an explanation on the meaning of ISO specific terms and expressions related to conformity assessment, as well as information about ISO's adherence to the WTO principles in the Technical Barriers to Trade (TBT) see the following URL: Foreword - Supplementary information

The committee responsible for this document is ISO/TC 29, *Small tools*.

This second edition cancels and replaces the first edition (ISO 26623-2:2008), which has been technically revised.

<https://standards.iteh.ai/catalog/standards/sist/34fa8553-dc91-49ab-9685-1922e7f7a32d/iso-26623-2-2014>

ISO 26623 consists of the following parts, under the general title *Polygonal taper interface with flange contact surface*:

- *Part 1: Dimensions and designation of shanks*
- *Part 2: Dimensions and designation of receivers*

Polygonal taper interface with flange contact surface —

Part 2: Dimensions and designation of receivers

1 Scope

This part of ISO 26623 specifies dimensions for polygonal taper interfaces with flange contact surface, polygon-receivers for automatic and manual tool exchange to be applied on machine tools (e. g. turning machines, drilling machines, milling machines, and turn/milling centres as well as grinding machines). A range of receiver sizes is specified.

The torque is transmitted by form lock (polygon).

2 Normative references

The following documents, in whole or in part, are normatively referenced in this document and are indispensable to its application. For dated references, only the edition cited applies. For undated references, the latest edition of the referenced document (including any amendments) applies.

ISO 2768-1, *General tolerances — Part 1: Tolerances for linear and angular dimensions without individual tolerance indications*

ISO 2768-2, *General tolerances — Part 2: Geometrical tolerances for features without individual tolerance indications*

<https://standards.iteh.ai/catalog/standards/sist/34fa8553-dc91-49ab-9685-1922e7f7a32d/iso-26623-2-2014>

ISO 26623-1, *Polygonal taper interface with flange contact surface — Part 1: Dimensions and designation of shanks*

3 Dimensions

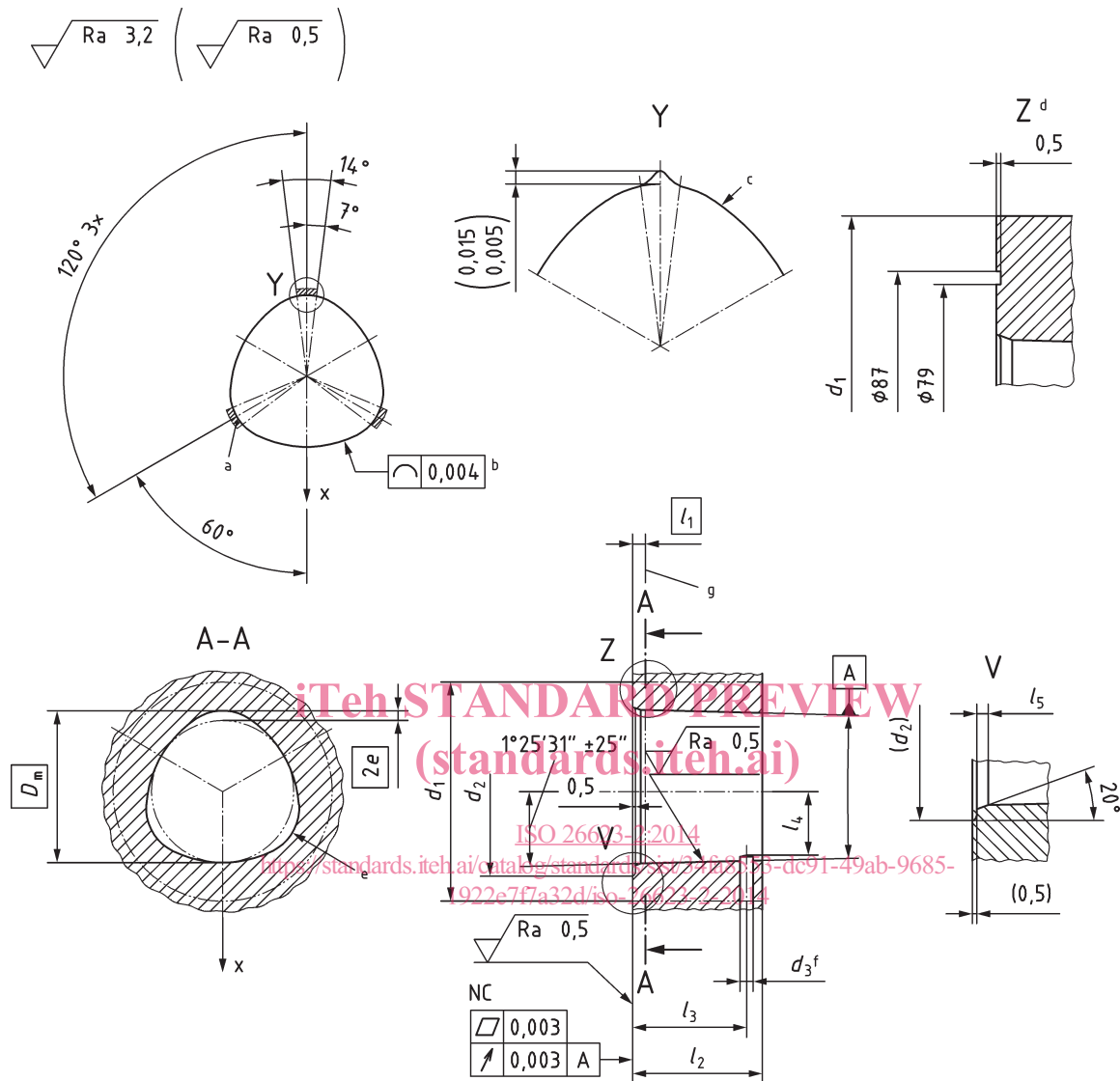
3.1 General

Tolerances for linear dimensions for features without individual tolerance indications shall be of tolerance class “m” in accordance with ISO 2768-1 and geometrical tolerances for features without individual tolerance indications shall be of tolerance class “K” in accordance with ISO 2768-2.

3.2 Polygon-receivers

The dimensions of polygon-receivers shall be as specified in [Figures 1](#), in [Table 1](#), and according to ISO 26623-1.

Surface roughness in micrometres
Dimensions in millimetres



- a Form of profile from actual ground curve = $\begin{matrix} +0,015 \\ +0,005 \end{matrix}$ (sectioned areas).
- b The theoretical polygon curve.
- c The actual ground curve.
- d Valid for size 80X only.
- e Polygon curve.
- f Position pin. The style of the position pin may have a different design from this drawing. In some cases, the position pin may be omitted.
- g Gauge line
- x axis for theoretical polygon curve.

Figure 1 — Polygon-receivers

Table 1 — Polygon-receivers — Dimensions

Dimensions in millimetres

Nominal size	32	40	50	63	80	80X	100
d_1 min	32	40	50	63	80	100	100
d_2	25,2	31,6	39,2	48,5	60,8	60,8	79,4
d_3	2	2,5	3	4	5	5	6
D_m	22	28	35	44	55	55	72
e	0,7	0,9	1,12	1,4	2	2	2,8
l_1	2,3	2,3	2,8	2,8	2,8	2,8	2,8
$l_2 \pm 0,1$	18,4	23,4	29,4	37,4	47,4	47,4	59,4
$l_3 \pm 0,2$	16,5	21	26	33,5	43	43	52,5
l_4	$9,4 \pm 0,1$	$11,5 \pm 0,2$	$14,5 \pm 0,2$	$18,5 \pm 0,2$	$22,8 \pm 0,2$	$22,8 \pm 0,2$	29,6
$l_5 \pm 0,1$	1	1	1,4	1,4	1,4	1,4	1,3

4 Clamping forces

The clamping system shall provide sufficient clamping force to ensure contact of the shank flange with the face of the receiver, as well as seating the taper by elastic deformation. The torque transmitting capacity of the interface is substantially determined by the size of the clamping force.

A guide to clamping forces for polygon-receivers is given in [Annex A](#).

5 Designation

A polygon-receiver in accordance with this part of ISO 26623 shall be designated by:

- “POLYGON-RECEIVER”;
- reference to this part of ISO 26623, i.e. ISO 26623-2:2014;
- designation symbols PSC;
- nominal size, in millimetres.

EXAMPLE Designation of a polygon-receiver for automatic and manual tool exchange with nominal size 32 mm:

POLYGON-RECEIVER ISO 26623-2 — PSC 32

Annex A (informative)

Recommendations for use and application

A.1 Clamping system

The clamping system should be specified by the manufacturer of the receiver or machine tool spindle. The system should provide sufficient clamping force to ensure contact of the shank flange with the receiver face, as well as seating the taper by elastic deformation.

A.2 Clamping forces

Variations of taper shank and -receiver size within the specified limits of tolerance will cause the portion of the clamping force acting on the flange surface to vary. However, the clamping forces given in [Table A.1](#) will ensure that the portion of acting on the flange surface is never less than 80 % of the total. The flange contact is decisive for the stiffness of the polygonal taper interface.

iTech STANDARD PREVIEW
Table A.1 — Clamping force

Nominal size, mm	32	40	50	63	80	80X	100
Clamping force, kN	15	20	25	30	40	40	60

Lower clamping forces can be sufficient when operational loads are low (e.g. cutting forces in finish machining). Conversely, higher clamping forces can be required when high operational loads are encountered (e.g. cutting and feed forces in heavy machining).

A.3 Information about speeds, torques, bending loads and stiffness

The manufacturer should provide information regarding permissible speeds, torque transmitting capacities.

Bibliography

- [1] ISO 1101, *Geometrical Product Specifications (GPS) — Geometrical tolerancing — Tolerances of form, orientation, location and run-out*

iTeh STANDARD PREVIEW
(standards.iteh.ai)

[ISO 26623-2:2014](https://standards.iteh.ai/catalog/standards/sist/34fa8553-dc91-49ab-9685-1922e7f7a32d/iso-26623-2-2014)

<https://standards.iteh.ai/catalog/standards/sist/34fa8553-dc91-49ab-9685-1922e7f7a32d/iso-26623-2-2014>