



**SLOVENSKI STANDARD**  
**SIST EN 1809:2014/kFprA1:2015**  
**01-november-2015**

---

**Potapljaški pripomočki - Naprave za uravnavanje plovnosti - Funkcionalne in varnostne zahteve, preskusne metode**

Diving equipment - Buoyancy compensators - Functional and safety requirements, test methods

Tauch-Zubehör - Tariermittel - Funktionelle und sicherheitstechnische Anforderungen, Prüfverfahren

Équipement de plongée - Bouée d'équilibrage - Exigences fonctionnelles et de sécurité, méthodes d'essai

**iTeh STANDARD PREVIEW**  
**(standards.iteh.ai)**  
<https://standards.iteh.ai/catalog/standards/sist/def7eb1f-121a-4cc2-9a03-5a421aa1cf5c/sist-en-1809-2014-kfprA1-2015>

**Ta slovenski standard je istoveten z: EN 1809:2014/FprA1**

---

**ICS:**

97.220.40	Oprema za športe na prostem in vodne športe	Outdoor and water sports equipment
-----------	---	------------------------------------

<b>SIST EN 1809:2014/kFprA1:2015</b>	<b>en,fr,de</b>
--------------------------------------	-----------------

**iTeh STANDARD PREVIEW**  
**(standards.iteh.ai)**

[SIST EN 1809:2014/kFprA1:2015](https://standards.iteh.ai/catalog/standards/sist/def7eb1f-121a-4cc2-9a03-5a421aa1cf5c/sist-en-1809-2014-kfpral-2015)

<https://standards.iteh.ai/catalog/standards/sist/def7eb1f-121a-4cc2-9a03-5a421aa1cf5c/sist-en-1809-2014-kfpral-2015>

EUROPEAN STANDARD  
NORME EUROPÉENNE  
EUROPÄISCHE NORM

**FINAL DRAFT**  
**EN 1809:2014**

**FprA1**

September 2015

ICS 97.220.40

English Version

## Diving equipment - Buoyancy compensators - Functional and safety requirements, test methods

Équipement de plongée - Bouée d'équilibrage -  
Exigences fonctionnelles et de sécurité, méthodes  
d'essai

Tauch-Zubehör - Tariermittel - Funktionelle und  
sicherheitstechnische Anforderungen, Prüfverfahren

This draft amendment is submitted to CEN members for unique acceptance procedure. It has been drawn up by the Technical Committee CEN/TC 136.

This draft amendment A1, if approved, will modify the European Standard EN 1809:2014. If this draft becomes an amendment, CEN members are bound to comply with the CEN/CENELEC Internal Regulations which stipulate the conditions for inclusion of this amendment into the relevant national standard without any alteration.

This draft amendment was established by CEN in three official versions (English, French, German). A version in any other language made by translation under the responsibility of a CEN member into its own language and notified to the CEN-CENELEC Management Centre has the same status as the official versions.

CEN members are the national standards bodies of Austria, Belgium, Bulgaria, Croatia, Cyprus, Czech Republic, Denmark, Estonia, Finland, Former Yugoslav Republic of Macedonia, France, Germany, Greece, Hungary, Iceland, Ireland, Italy, Latvia, Lithuania, Luxembourg, Malta, Netherlands, Norway, Poland, Portugal, Romania, Slovakia, Slovenia, Spain, Sweden, Switzerland, Turkey and United Kingdom.

Recipients of this draft are invited to submit, with their comments, notification of any relevant patent rights of which they are aware and to provide supporting documentation.

**Warning** : This document is not a European Standard. It is distributed for review and comments. It is subject to change without notice and shall not be referred to as a European Standard.



EUROPEAN COMMITTEE FOR STANDARDIZATION  
COMITÉ EUROPÉEN DE NORMALISATION  
EUROPÄISCHES KOMITEE FÜR NORMUNG

**CEN-CENELEC Management Centre: Avenue Marnix 17, B-1000 Brussels**

## Contents

	Page
<b>1</b>	
<b>Modification of 4.2.2 "Compressed gas inflation device" – Figure 1 .....</b>	<b>4</b>

## iTeh STANDARD PREVIEW (standards.iteh.ai)

[SIST EN 1809:2014/kFprA1:2015  
https://standards.iteh.ai/catalog/standards/sist/def7eb1f-121a-4cc2-9a03-5a421aa1cf5c/sist-en-1809-2014-kfpral-2015](https://standards.iteh.ai/catalog/standards/sist/def7eb1f-121a-4cc2-9a03-5a421aa1cf5c/sist-en-1809-2014-kfpral-2015)

## Foreword

This document (EN 1809:2014/FprA1:2015) has been prepared by Technical Committee CEN/TC 136 “Sports, playground and other recreational facilities and equipment”, the secretariat of which is held by DIN.

This document is currently submitted to the Unique Acceptance Procedure.

This document has been prepared under a mandate given to CEN by the European Commission and the European Free Trade Association.

## iTeh STANDARD PREVIEW (standards.iteh.ai)

[SIST EN 1809:2014/kFprA1:2015](https://standards.iteh.ai/catalog/standards/sist/def7eb1f-121a-4cc2-9a03-5a421aa1cf5c/sist-en-1809-2014-kfpral-2015)

<https://standards.iteh.ai/catalog/standards/sist/def7eb1f-121a-4cc2-9a03-5a421aa1cf5c/sist-en-1809-2014-kfpral-2015>

EN 1809:2014/FprA1:2015 (E)

**1 Modification of 4.2.2 "Compressed gas inflation device" - Figure 1**

Replace Figure 1 by the following:

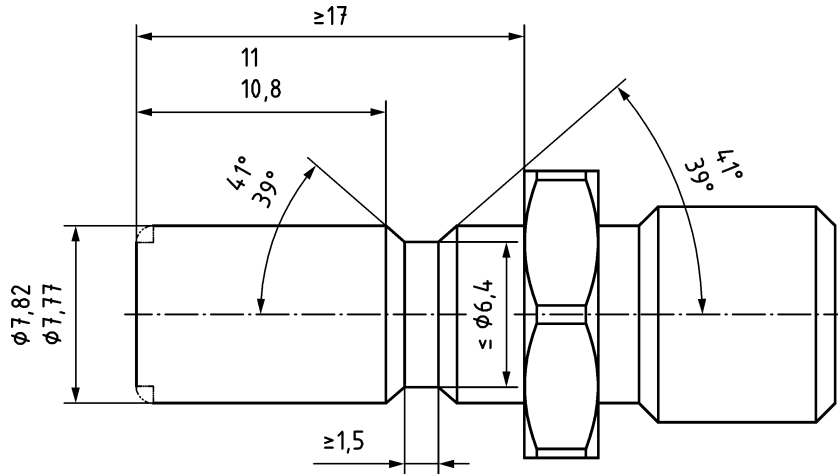


Figure 1 — Quick release male connector

**iTeh STANDARD PREVIEW**  
**(standards.iteh.ai)**

[SIST EN 1809:2014/kFprA1:2015](https://standards.iteh.ai/catalog/standards/sist/def7eb1f-121a-4cc2-9a03-5a421aa1cf5c/sist-en-1809-2014-kfpral-2015)

<https://standards.iteh.ai/catalog/standards/sist/def7eb1f-121a-4cc2-9a03-5a421aa1cf5c/sist-en-1809-2014-kfpral-2015>