

---

# International Standard



# 1483

---

INTERNATIONAL ORGANIZATION FOR STANDARDIZATION • МЕЖДУНАРОДНАЯ ОРГАНИЗАЦИЯ ПО СТАНДАРТИЗАЦИИ • ORGANISATION INTERNATIONALE DE NORMALISATION

## Slotted raised countersunk (oval) head tapping screws (common head style)

*Vis à tôle à tête fraisée bombée, fendue*

First edition — 1983-09-15

**ITeH STANDARD PREVIEW**  
**(standards.iteh.ai)**

[ISO 1483:1983](https://standards.iteh.ai/catalog/standards/sist/0435e82d-9135-4b1b-ae03-2948008553ba/iso-1483-1983)

<https://standards.iteh.ai/catalog/standards/sist/0435e82d-9135-4b1b-ae03-2948008553ba/iso-1483-1983>

---

UDC 621.882.215.082.8

Ref. No. ISO 1483-1983 (E)

**Descriptors** : fasteners, screws, slotted head screws, countersunk head screws, dimensions, designation.

## Foreword

ISO (the International Organization for Standardization) is a worldwide federation of national standards bodies (ISO member bodies). The work of developing International Standards is carried out through ISO technical committees. Every member body interested in a subject for which a technical committee has been authorized has the right to be represented on that committee. International organizations, governmental and non-governmental, in liaison with ISO, also take part in the work.

Draft International Standards adopted by the technical committees are circulated to the member bodies for approval before their acceptance as International Standards by the ISO Council.

International Standard ISO 1483 was developed by Technical Committee ISO/TC 2, *Fasteners*, and was circulated to the member bodies in December 1981.

It has been approved by the member bodies of the following countries:

Australia	France	New Zealand
Austria	Germany, F.R.	Norway
Belgium	Hungary	Poland
Brazil	India	Romania
Canada	Ireland	South Africa, Rep. of
China	Japan	Spain
Czechoslovakia	Korea, Dem. P. Rep. of	Sweden
Denmark	Korea, Rep. of	Switzerland
Egypt, Arab Rep. of	Mexico	USA
Finland	Netherlands	

The member bodies of the following countries expressed disapproval of the document on technical grounds:

Italy  
United Kingdom  
USSR

This International Standard cancels and replaces ISO Recommendation R 1483-1970, of which it constitutes a technical revision.

# Slotted raised countersunk (oval) head tapping screws (common head style)

## iTeh STANDARD PREVIEW (standards.iteh.ai)

### 1 Scope and field of application

ISO 1483:1983

This International Standard specifies the characteristics of slotted raised countersunk (oval) head tapping screws with thread sizes from ST 2,2 to ST 9,5 inclusive.

### 2 References

ISO 225, *Fasteners — Bolts, screws, studs and nuts — Symbols and designations of dimensions.*

ISO 1478, *Tapping screws thread.*

ISO 2702, *Heat-treated steel tapping screws — Mechanical properties.*

ISO 3269, *Fasteners — Acceptance inspection.*<sup>1)</sup>

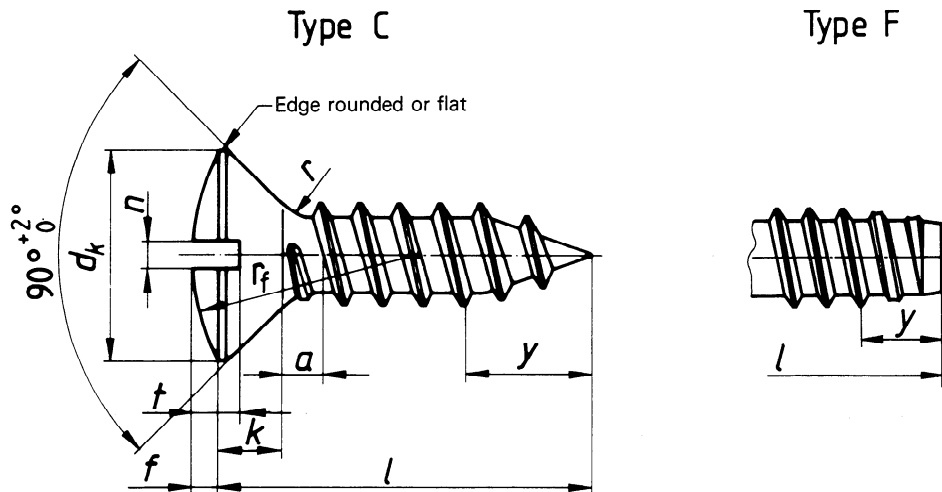
ISO 4042, *Threaded components — Electroplated coatings components.*<sup>1)</sup>

ISO 4759/1, *Tolerances for fasteners — Part 1: Bolts, screws and nuts with thread diameters > 1,6 and < 150 mm and product grades A, B and C.*

ISO 7721, *Countersunk head screws — Head configurations and gauging.*

1) At present at the stage of draft.

3 Dimensions



Dimensions in millimetres

Thread size		ST 2,2	ST 2,9	ST 3,5	ST 4,2	ST 4,8	ST 5,5	ST 6,3	ST 8	ST 9,5	
$P^1)$		0,8	1,1	1,3	1,4	1,6	1,8	1,8	2,1	2,1	
$a^2)$	max.	0,8	1,1	1,3	1,4	1,6	1,8	1,8	2,1	2,1	
$d_k$	theoretical <sup>3)</sup>	max.	4,4	6,3	8,2	9,4	10,4	11,5	12,6	17,3	20
	actual	max.	3,8	5,5	7,3	8,4	9,3	10,3	11,3	15,8	18,3
		min.	3,5	5,2	6,9	8	8,9	9,9	10,9	15,4	17,8
$f$	$\approx$	0,5	0,7	0,8	1	1,2	1,3	1,4	2	2,3	
$k$	max.	1,1	1,7	2,35	2,6	2,8	3	3,15	4,65	5,25	
$n$	nom.	0,5	0,8	1	1,2	1,2	1,6	1,6	2	2,5	
	min.	0,56	0,86	1,06	1,26	1,26	1,66	1,66	2,06	2,56	
	max.	0,7	1	1,2	1,51	1,51	1,91	1,91	2,31	2,81	
$r$	max.	0,8	1,2	1,4	1,6	2	2,2	2,4	3,2	4	
$r_f$	$\approx$	4	6	8,5	9,5	9,5	11	12	16,5	19,5	
$t$	min.	0,8	1,2	1,4	1,6	2	2,2	2,4	3,2	3,8	
	max.	1	1,45	1,7	1,9	2,4	2,6	2,8	3,7	4,4	
$y$ ref. <sup>4)</sup>	Type C	2	2,6	3,2	3,7	4,3	5	6	7,5	8	
	Type F	1,6	2,1	2,5	2,8	3,2	3,6	3,6	4,2	4,2	
		<sup>5)</sup>									
	nom.	Type C		Type F							
		min.	max.	min.	max.						
	4,5	3,7	5,3	3,7	4,5	-		-		-	
	6,5	5,7	7,3	5,7	6,5	-		-		-	
	9,5	8,7	10,3	8,7	9,5	-		-		-	
	13	12,2	13,8	12,2	13	-		-		-	
	16	15,2	16,8	15,2	16	Range				-	
	19	18,2	19,8	18,2	19	of					
	22	21,2	22,8	20,7	22			commercial			
	25	24,2	25,8	23,7	25			lengths			
	32	30,7	33,3	30,7	32						
	38	36,7	39,3	36,7	38						
	45	43,7	46,3	43,5	45						
	50	48,7	51,3	48,5	50						

1)  $P$  = pitch of the thread.  
 2) Distance from the underside of the head to the first major diameter of the thread within specified limits.  
 3) See ISO 7721.  
 4) Length of incomplete thread.  
 5) Sizes with lengths marked with a dash (—) in the table shall not be manufactured.

#### 4 Specifications and reference International Standards

<b>Material</b>	Steel, according to ISO 2702	
<b>Thread</b>	According to ISO 1478	
<b>Mechanical properties</b>	According to ISO 2702	
<b>Tolerances</b>	Product grade	A
	International Standard	ISO 4759/1
<b>Finish</b>	<p>Plain</p> <p>Requirements for electroplating are covered in ISO 4042.</p> <p>If different electroplating requirements are desired or if requirements are needed for other finishes, they should be negotiated between customer and supplier.</p>	
<b>Acceptability</b>	For acceptance procedure see ISO 3269.	

#### 5 Designation

Example for the designation of a slotted raised countersunk (oval) head tapping screw with thread size ST 3,5, nominal length  $l = 16$  mm and cone end type C.

**Tapping screw ISO 1483 - ST 3,5 × 16 - C**

**iTeh STANDARD PREVIEW**  
**(standards.iteh.ai)**

ISO 1483:1983

<https://standards.iteh.ai/catalog/standards/sist/0435e82d-9135-4b1b-ae03-2948008553ba/iso-1483-1983>

**iTeh STANDARD PREVIEW**  
This page intentionally left blank  
**(standards.iteh.ai)**

[ISO 1483:1983](#)

<https://standards.iteh.ai/catalog/standards/sist/0435e82d-9135-4b1b-ae03-2948008553ba/iso-1483-1983>

**iTeh STANDARD PREVIEW**  
This page intentionally left blank  
**(standards.iteh.ai)**

[ISO 1483:1983](#)

<https://standards.iteh.ai/catalog/standards/sist/0435e82d-9135-4b1b-ae03-2948008553ba/iso-1483-1983>

**iTeh STANDARD PREVIEW**  
This page intentionally left blank  
**(standards.iteh.ai)**

[ISO 1483:1983](#)

<https://standards.iteh.ai/catalog/standards/sist/0435e82d-9135-4b1b-ae03-2948008553ba/iso-1483-1983>