



SLOVENSKI STANDARD

SIST ISO 1922:2015

01-marec-2015

Nadomešča:
SIST ISO 1922:2003

Penjeni polimerni materiali - Ugotavljanje strižne trdnosti

Rigid cellular plastics - Determination of shear strength

iTeh STANDARD PREVIEW
Plastiques alvéolaires rigides - Détermination de la résistance au cisaillement
(standards.iteh.ai)

Ta slovenski standard je istoveten z: ~~SIST ISO 1922:2012~~ **ISO 1922:2012**

<https://standards.iteh.ai/catalog/standards/sist/d8b605c1-a6c4-49c4-adc9-42409234d88d/sist-iso-1922-2015>

ICS:

83.100 Penjeni polimeri Cellular materials

SIST ISO 1922:2015 **en**

iTeh STANDARD PREVIEW
(standards.iteh.ai)

SIST ISO 1922:2015

<https://standards.iteh.ai/catalog/standards/sist/d8b605c1-a6c4-49c4-adc9-42409234d88d/sist-iso-1922-2015>

Rigid cellular plastics — Determination of shear strength

*Plastiques alvéolaires rigides — Détermination de la résistance au
cisaillement*

iTeh STANDARD PREVIEW
(standards.iteh.ai)

[SIST ISO 1922:2015](https://standards.iteh.ai/catalog/standards/sist/d8b605c1-a6c4-49c4-adc9-42409234d88d/sist-iso-1922-2015)

<https://standards.iteh.ai/catalog/standards/sist/d8b605c1-a6c4-49c4-adc9-42409234d88d/sist-iso-1922-2015>



iTeh STANDARD PREVIEW (standards.iteh.ai)

SIST ISO 1922:2015

<https://standards.iteh.ai/catalog/standards/sist/d8b605c1-a6c4-49c4-adc9-42409234d88d/sist-iso-1922-2015>



COPYRIGHT PROTECTED DOCUMENT

© ISO 2012

All rights reserved. Unless otherwise specified, no part of this publication may be reproduced or utilized in any form or by any means, electronic or mechanical, including photocopying and microfilm, without permission in writing from either ISO at the address below or ISO's member body in the country of the requester.

ISO copyright office
Case postale 56 • CH-1211 Geneva 20
Tel. + 41 22 749 01 11
Fax + 41 22 749 09 47
E-mail copyright@iso.org
Web www.iso.org

Published in Switzerland

Contents		Page
Foreword		iv
1 Scope		1
2 Normative references		1
3 Principle		1
4 Apparatus		1
4.1 Test machine		1
4.2 Metal supports		1
4.3 Adhesive		3
5 Test specimens		3
6 Number of test specimens		3
7 Conditioning and test temperature and humidity		3
8 Procedure		3
9 Calculation and expression of results		4
9.1 Shear strength		4
9.2 Shear modulus		4
10 Precision and bias		4
11 Test report		4

iTeh STANDARD PREVIEW
(standards.iteh.ai)

SIST ISO 1922:2015

<https://standards.iteh.ai/catalog/standards/sist/d8b605c1-a6c4-49c4-adc9-42409234d88d/sist-iso-1922-2015>

ISO 1922:2012(E)

Foreword

ISO (the International Organization for Standardization) is a worldwide federation of national standards bodies (ISO member bodies). The work of preparing International Standards is normally carried out through ISO technical committees. Each member body interested in a subject for which a technical committee has been established has the right to be represented on that committee. International organizations, governmental and non-governmental, in liaison with ISO, also take part in the work. ISO collaborates closely with the International Electrotechnical Commission (IEC) on all matters of electrotechnical standardization.

International Standards are drafted in accordance with the rules given in the ISO/IEC Directives, Part 2.

The main task of technical committees is to prepare International Standards. Draft International Standards adopted by the technical committees are circulated to the member bodies for voting. Publication as an International Standard requires approval by at least 75 % of the member bodies casting a vote.

Attention is drawn to the possibility that some of the elements of this document may be the subject of patent rights. ISO shall not be held responsible for identifying any or all such patent rights.

ISO 1922 was prepared by Technical Committee ISO/TC 61, *Plastics*, Subcommittee SC 10, *Cellular plastics*.

This fourth edition cancels and replaces the third edition (ISO 1922:2001), of which it constitutes a minor revision to amend Clause 7, which concerns conditioning and test temperatures and humidities.

iTeh STANDARD PREVIEW **(standards.iteh.ai)**

[SIST ISO 1922:2015](https://standards.iteh.ai/catalog/standards/sist/d8b605c1-a6c4-49c4-adc9-42409234d88d/sist-iso-1922-2015)

<https://standards.iteh.ai/catalog/standards/sist/d8b605c1-a6c4-49c4-adc9-42409234d88d/sist-iso-1922-2015>

Rigid cellular plastics — Determination of shear strength

1 Scope

This International Standard specifies a method of determining the shear strength of rigid cellular plastics. It also provides for the optional determination of shear modulus.

2 Normative references

The following referenced documents are indispensable for the application of this document. For dated references, only the edition cited applies. For undated references, the latest edition of the referenced document (including any amendments) applies.

ISO 1923, *Cellular plastics and rubbers — Determination of linear dimensions*

3 Principle

A shear stress is applied to a test specimen of defined shape by means of metal supports bonded to the specimen.

4 Apparatus

iTeh STANDARD PREVIEW
(standards.iteh.ai)

4.1 Test machine

The test machine (see Figure 1) shall be such that:

- a test specimen having the form and dimensions specified in Clause 5 is held vertically between two fixing devices each comprising a metal support, one of these devices being fixed and the other movable, and the stress being transmitted along the longitudinal axis of the specimen;
- the movable grip will be moved away from the fixed grip at a constant rate of $(1 \pm 0,5)$ mm per minute in a direction parallel to the longitudinal axis of the specimen;
- the force exerted on the specimen shall be known with a maximum error of 1 %, and the distance between the grips shall be known with a maximum error of 0,01 mm, by means of recording devices.

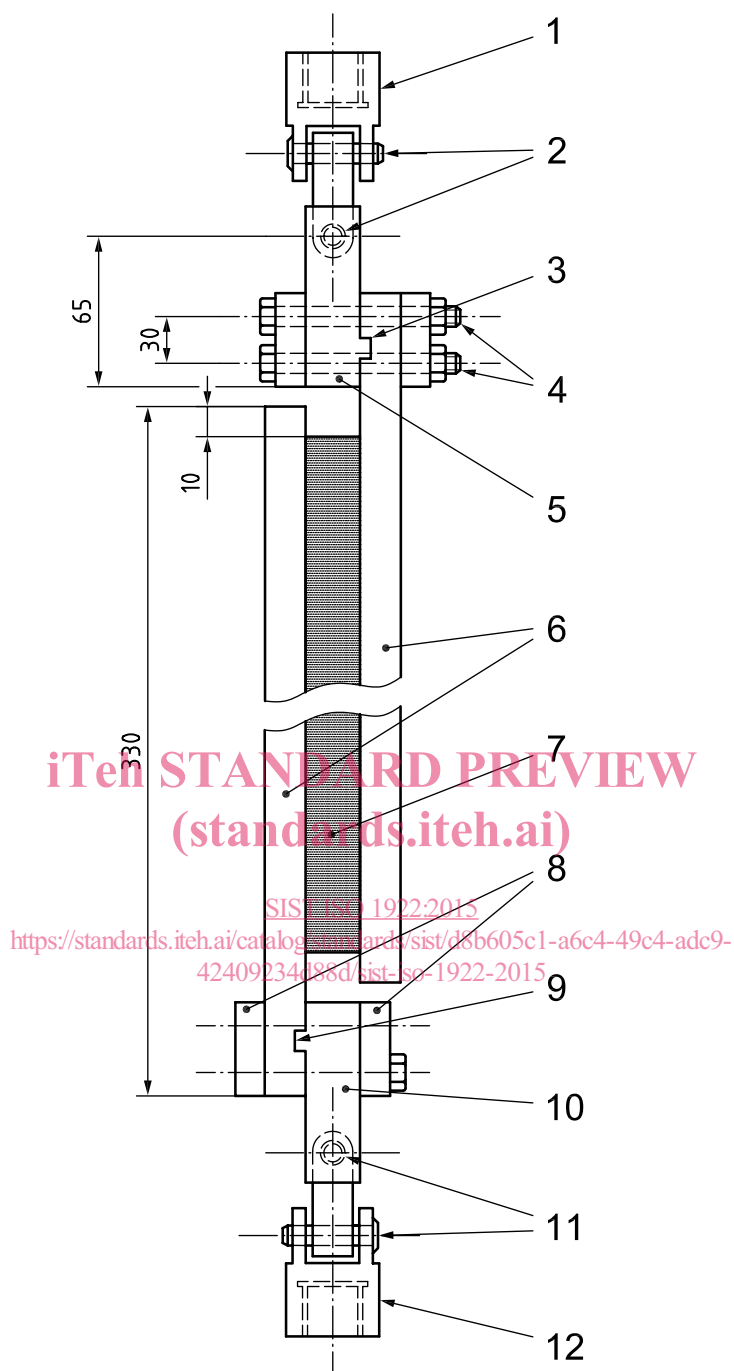
4.2 Metal supports

These shall consist of flat, rectangular-section, mild-steel plates, machined on one side, with a thickness of (16 ± 1) mm and a width of 50^{+1}_0 mm.

They shall be attached to the grips by the method shown in Figure 1.

The thickness of the adaptors that connect the metal supports to the test machine grips shall be equal to the thickness of the test specimen.

Dimensions in millimetres

**Key**

- | | | | |
|---|---|----|---|
| 1 | fixed machine grip | 7 | test specimen |
| 2 | universal-joint connection pins, allowing rotation about axis | 8 | load-spreading plates measuring (50 × 50 × 5) mm |
| 3 | tongue and groove | 9 | tongue and groove |
| 4 | nut and bolt supports, \varnothing 10 mm | 10 | adaptor |
| 5 | adaptor | 11 | universal-joint connection pins, allowing rotation about axis |
| 6 | metal supports | 12 | movable machine grip |

Figure 1 — Test assembly

4.3 Adhesive

The adhesive used to fix the metal supports to the test specimen shall be such that the shear strength and modulus of the adhesive film are significantly greater than that of the cellular material under test, so as to ensure ultimate failure in the cellular material rather than at the adhesive interface. The adhesive shall also be compatible with the material under test. Details of a suitable adhesive and the method of application are given in Annex A.

5 Test specimens

5.1 The test specimens shall be right parallelepipeds of the following dimensions:

length: $250 \begin{smallmatrix} 0 \\ -5 \end{smallmatrix}$ mm;

width: $50 \begin{smallmatrix} 0 \\ -1 \end{smallmatrix}$ mm;

thickness: $(25 \pm 0,5)$ mm

The distance between two parallel surfaces shall not vary by more than 1 %.

Measure the dimensions in accordance with the principles specified in ISO 1923.

5.2 Prepare test specimens without moulding skins. Machine their surfaces without modifying the original structure.

Bond the two machined surfaces of the metal supports to the larger surfaces of the dust-free test specimens so that the edges of the two metal supports are parallel to each other, as shown in Figure 1.

6 Number of test specimens

Test a set of five specimens. When testing materials suspected of being anisotropic, prepare sets of specimens having their major axes parallel with and normal to the suspected directions of anisotropy.

Reject specimens that fail at the adhesive interface before failure of the cellular material and test additional specimens so that the number of significant results is not less than five.

7 Conditioning and test temperature and humidity

Condition the test specimens for a minimum of 16 h under one of the sets of conditions shown below.

(23 ± 2) °C and (50 ± 10) % relative humidity

or

(23 ± 5) °C and $50 \begin{smallmatrix} +20 \\ -10 \end{smallmatrix}$ % relative humidity

or

(27 ± 5) °C and $65 \begin{smallmatrix} +20 \\ -10 \end{smallmatrix}$ % relative humidity

Carry out the test at the same temperature and humidity as were used for conditioning.

8 Procedure

Attach a test specimen to the grips of the test machine and apply a force by separating the movable grip from the fixed grip at a rate of $(1 \pm 0,5)$ mm per minute, with a variation not greater than 10 % during the test.

Record the force-deflection diagram.