



**SLOVENSKI STANDARD**  
**SIST EN 16005:2013/AC:2015**  
**01-oktober-2015**

---

**Avtomatska električna vhodna vrata - Varnost pri uporabi avtomatskih vhodnih vrat - Zahteve in preskusne metode**

Power operated pedestrian doorsets - Safety in use - Requirements and test methods

Kraftbetätigte Türen - Nutzungssicherheit - Anforderungen und Prüfverfahren

Blocs-portes motorisés pour piétons - Sécurité d'utilisation - Exigences et méthodes d'essai

**iTeh STANDARD PREVIEW**  
**(standards.iteh.ai)**

**Ta slovenski standard je istoveten z: EN 16005:2012/AC:2015**

SIST EN 16005:2013/AC:2015  
<https://standards.iteh.ai/catalog/standards/sist/21d7aa84-cca0-44d5-aad7-4854cd69f91b/sist-en-16005-2013-ac-2015>

---

**ICS:**

91.060.50	Vrata in okna	Doors and windows
97.120	Avtomatske krmilne naprave za dom	Automatic controls for household use

**SIST EN 16005:2013/AC:2015**

**en,fr,de**

**iTeh STANDARD PREVIEW**  
**(standards.iteh.ai)**

[SIST EN 16005:2013/AC:2015](https://standards.iteh.ai/catalog/standards/sist/2fd7aa84-cca6-44d3-aad7-4854cd69f91b/sist-en-16005-2013-ac-2015)

<https://standards.iteh.ai/catalog/standards/sist/2fd7aa84-cca6-44d3-aad7-4854cd69f91b/sist-en-16005-2013-ac-2015>

EUROPEAN STANDARD

**EN 16005:2012/AC**

NORME EUROPÉENNE

August 2015

EUROPÄISCHE NORM

Août 2015

August 2015

ICS 91.060.50

English version  
Version Française  
Deutsche FassungPower operated pedestrian doorsets - Safety in use - Requirements and  
test methodsBlocs-portes motorisés pour piétons -  
Sécurité d'utilisation - Exigences et  
méthodes d'essaiKraftbetätigte Türen - Nutzungssicherheit -  
Anforderungen und Prüfverfahren

This corrigendum becomes effective on 12 August 2015 for incorporation in the three official language versions of the EN.

Ce corrigendum prendra effet le 12 août 2015 pour incorporation dans les trois versions linguistiques officielles de la EN.

**(standards.iteh.ai)**

Die Berichtigung tritt am 12. August 2015 zur Einarbeitung in die drei offiziellen Sprachfassungen der EN in Kraft.

[SIST EN 16005:2013/AC:2015](https://standards.iteh.ai/catalog/standards/sist/2fd7aa84-cca6-44d3-aad7-4854cd69f91b/sist-en-16005-2013-ac-2015)

<https://standards.iteh.ai/catalog/standards/sist/2fd7aa84-cca6-44d3-aad7-4854cd69f91b/sist-en-16005-2013-ac-2015>

EUROPEAN COMMITTEE FOR STANDARDIZATION  
COMITÉ EUROPÉEN DE NORMALISATION  
EUROPÄISCHES KOMITEE FÜR NORMUNG**CEN-CENELEC Management Centre: Avenue Marnix 17, B-1000 Brussels**

© 2015 CEN All rights of exploitation in any form and by any means reserved worldwide for CEN national Members.  
Tous droits d'exploitation sous quelque forme et de quelque manière que ce soit réservés dans le monde entier aux membres nationaux du CEN.  
Alle Rechte der Verwertung, gleich in welcher Form und in welchem Verfahren, sind weltweit den nationalen Mitgliedern von CEN vorbehalten.

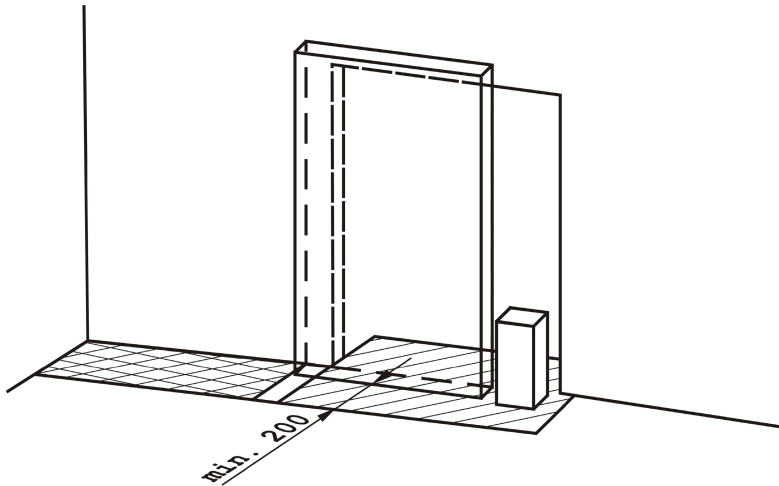
Ref. No.: EN 16005:2012/AC:2015 D/E/F

## EN 16005:2012/AC:2015 (E)

**1 Modification to Annex C (normative), Test for protective devices**

Replace Figures C.2, C.3, C.4, C.5 and C.6 with the following ones:

“

**Key**

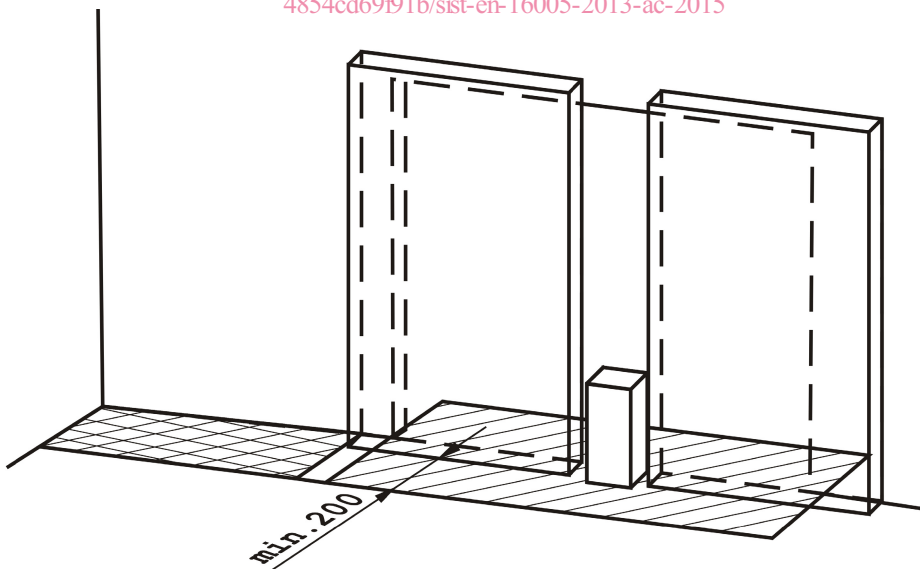
protection area



see 4.6.1 if applicable

**iTeh STANDARD PREVIEW**  
(standards.iteh.ai)

SIST EN 16005:2013/AC:2015  
**Figure C.2 — Single-leaf sliding doorset**  
<https://standards.iteh.ai/catalog/standards/sist/287aa64-cca6-44d3-aad7-4854cd69f91b/sist-en-16005-2013-ac-2015>

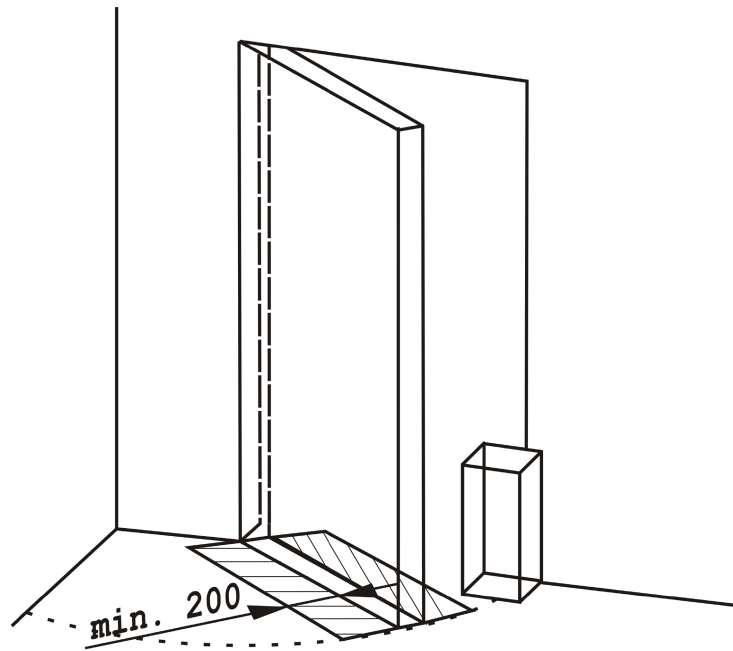
**Key**

protection area



see 4.6.1 if applicable

**Figure C.3 — Double-leaf sliding doorset**

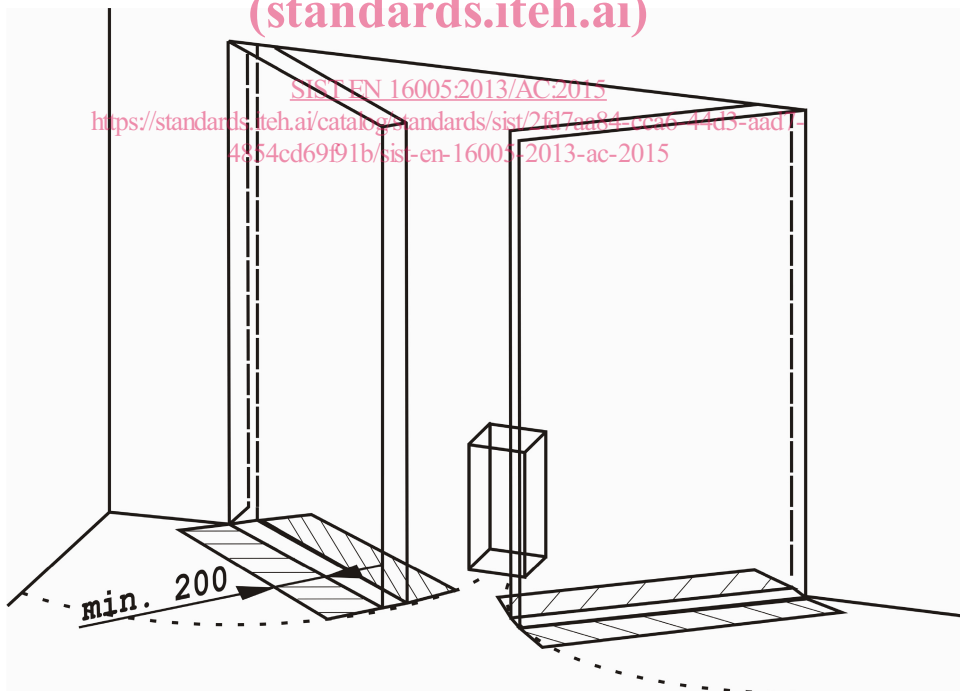


Key



protection area

**Figure C.4 — Single-leaf swing doorset**  
(standards.itech.ai)

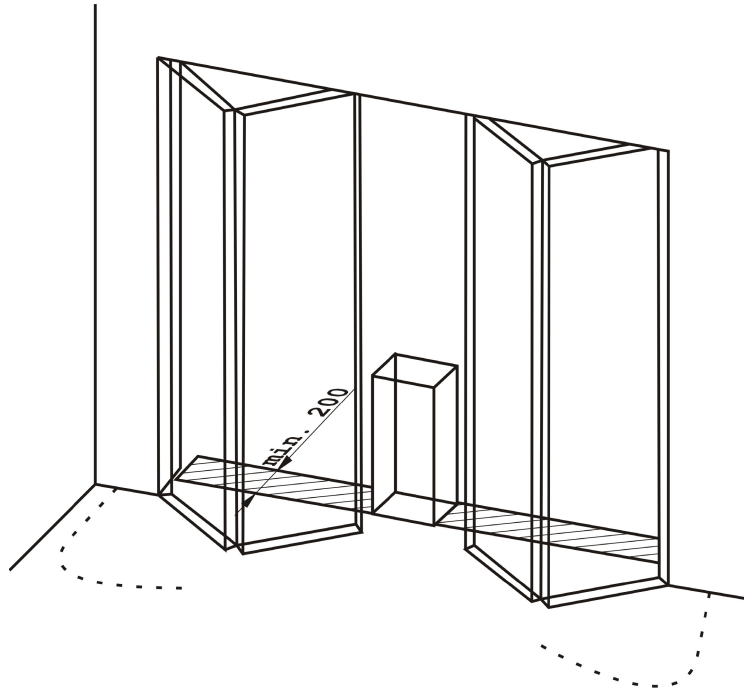


Key



protection area

**Figure C.5 — Double-leaf swing doorset**

**Key**

protection area

**iTeh STANDARD PREVIEW****Figure C.6 — Folding doorset**  
(standards.itteh.ai)

SIST EN 16005:2013/AC:2015

<https://standards.itteh.ai/catalog/standards/sist/2fd7aa84-cca6-44d3-aad7-4854cd69f91b/sist-en-16005-2013-ac-2015>

**2 Modifications to F.1, Speed settings for low energy power operated swing doorsets**

*In the 1<sup>st</sup> sentence, add "leaf" after "doorset".*

*In the sentence just after Table F.1, replace "doorsets" with " doorset leaves".*

Replace the formula:

“

$$t = \frac{D\sqrt{m}}{2,26 \sqrt{J}}$$

where

- $t$  is the time, in s;
- $D$  is the doorset leaf width, in m;
- $m$  is the mass of the doorset leaf, in kg;
- 2,26 is the conversion factor.

”

*with:*

“

$$t = \frac{D \sqrt{m}}{2,26}$$

where

- $t$  is the time, in s;  
 $D$  is the doorset leaf width, in m;  
 $m$  is the mass of the doorset leaf, in kg;  
 2,26 is the conversion factor, in  $\sqrt{\text{joule}}$  .

”.

### 3 Modifications to F.2, Speed settings for low energy sliding doorsets

*In the title, add “power operated” before “sliding”.*

*In the regular paragraph after Table F.2, replace "doorsets" with " doorset leaves".*

*Replace the last line in the key of the second formula:*

“ $V$  is the doorset speed, in m/s.”

*with:*

“ $v$  is the doorset leaf speed, in m/s.”

[SIST EN 16005:2013/AC:2015](https://standards.iteh.ai/catalog/standards/sist/2fd7aa84-cca6-44d3-aad7-4854cd69f91b/sist-en-16005-2013-ac-2015)  
<https://standards.iteh.ai/catalog/standards/sist/2fd7aa84-cca6-44d3-aad7-4854cd69f91b/sist-en-16005-2013-ac-2015>