

INTERNATIONAL STANDARD

Information technology – Wireless beacon-enabled energy efficient mesh network (WiBEE) standard for wireless home network services – Part 2: MAC layer

[ISO/IEC 29145-2:2014](https://standards.iteh.ai/catalog/standards/sist/3a34d9f4-529c-4254-949f-7892222da0d0/iso-iec-29145-2-2014)

<https://standards.iteh.ai/catalog/standards/sist/3a34d9f4-529c-4254-949f-7892222da0d0/iso-iec-29145-2-2014>



THIS PUBLICATION IS COPYRIGHT PROTECTED
Copyright © 2014 ISO/IEC, Geneva, Switzerland

All rights reserved. Unless otherwise specified, no part of this publication may be reproduced or utilized in any form or by any means, electronic or mechanical, including photocopying and microfilm, without permission in writing from either IEC or IEC's member National Committee in the country of the requester. If you have any questions about ISO/IEC copyright or have an enquiry about obtaining additional rights to this publication, please contact the address below or your local IEC member National Committee for further information.

IEC Central Office
3, rue de Varembe
CH-1211 Geneva 20
Switzerland

Tel.: +41 22 919 02 11
Fax: +41 22 919 03 00
info@iec.ch
www.iec.ch

About the IEC

The International Electrotechnical Commission (IEC) is the leading global organization that prepares and publishes International Standards for all electrical, electronic and related technologies.

About IEC publications

The technical content of IEC publications is kept under constant review by the IEC. Please make sure that you have the latest edition, a corrigenda or an amendment might have been published.

IEC Catalogue - webstore.iec.ch/catalogue

The stand-alone application for consulting the entire bibliographical information on IEC International Standards, Technical Specifications, Technical Reports and other documents. Available for PC, Mac OS, Android Tablets and iPad.

IEC publications search - www.iec.ch/searchpub

The advanced search enables to find IEC publications by a variety of criteria (reference number, text, technical committee,...). It also gives information on projects, replaced and withdrawn publications.

IEC Just Published - webstore.iec.ch/justpublished

Stay up to date on all new IEC publications. Just Published details all new publications released. Available online and also once a month by email.

Electropedia - www.electropedia.org

The world's leading online dictionary of electronic and electrical terms containing more than 30 000 terms and definitions in English and French, with equivalent terms in 14 additional languages. Also known as the International Electrotechnical Vocabulary (IEV) online.

IEC Glossary - std.iec.ch/glossary

More than 55 000 electrotechnical terminology entries in English and French extracted from the Terms and Definitions clause of IEC publications issued since 2002. Some entries have been collected from earlier publications of IEC TC 37, 77, 86 and CISPR.

IEC Customer Service Centre - webstore.iec.ch/csc

If you wish to give us your feedback on this publication or need further assistance, please contact the Customer Service Centre: csc@iec.ch.

INTERNATIONAL STANDARD PREVIEW
(standards) (ch) (ie)

ISO/IEC 29145-2:2014
7892222da0d0/iso-iec-29145-2-2014



ISO/IEC 29145-2

Edition 1.0 2014-03

INTERNATIONAL STANDARD

Information technology – Wireless beacon-enabled energy efficient mesh network (WiBEEM) standard for wireless home network services – Part 2: MAC layer

<https://standards.iteh.ai/catalog/standards/sist/3a34d9f4-529c-4254-949f-7892222da0d0/iso-iec-29145-2-2014>

INTERNATIONAL
ELECTROTECHNICAL
COMMISSION

PRICE CODE

U

ICS 35.200

ISBN 978-2-8322-1449-7

Warning! Make sure that you obtained this publication from an authorized distributor.

CONTENTS

FOREWORD	5
INTRODUCTION	6
1 Scope	7
2 Normative reference	7
3 Terms, definitions and abbreviations	7
3.1 Terms and definitions	7
3.2 Abbreviations	8
3.3 Conventions	9
4 Conformance	10
5 Overview of the WiBEE technology	10
6 MAC layer specifications	10
6.1 General	10
6.2 MAC layer service specifications	10
6.2.1 Service overview	10
6.2.2 MAC data service	11
6.2.3 MAC management service	17
6.2.4 Association primitives	17
6.2.5 Disassociation primitives	22
6.2.6 Beacon notification primitive	24
6.2.7 Primitives for reading PIB attributes	27
6.2.8 RAP management primitives	28
6.2.9 Primitives for orphan notification	31
6.2.10 Primitives for resetting the MAC layer	34
6.2.11 Primitives for specifying the receiver enable time	35
6.2.12 Primitives for channel scanning	37
6.2.13 Communication status primitive	39
6.2.14 Primitives for writing MAC PIB attributes	41
6.2.15 Primitives for updating the superframe configuration	42
6.2.16 Primitives for synchronising with a WRC	45
6.2.17 Primitives for requesting data from a WRC	47
6.3 MAC frame formats	49
6.3.1 General	49
6.3.2 General MAC frame format	50
6.3.3 Beacon frame format	52
6.3.4 MAC command frame format	52
Bibliography	62
Figure 1 – MAC layer structure	11
Figure 2 – Message sequence chart describing the MAC data service	16
Figure 3 – Message sequence chart for association	22
Figure 4 – Message sequence chart for disassociation	24
Figure 5 – Message sequence chart for RAP allocation initiated by a device	31
Figure 6 – Message sequence chart for RAP deallocation initiated by a device and the WMC	31

Figure 7 – Beacon lost (orphan notification) message sequence chart	33
Figure 8 – Message sequence chart for updating the superframe configuration	45
Figure 9 – Message sequence chart for synchronising to a WRC in a beacon-enabled WPAN	47
Figure 10 – Message sequence chart for requesting data from the WRC	49
Figure 11 – General MAC frame format	50
Figure 12 – Beacon frame format	52
Table 1 – MLDE-DATA.request parameters	12
Table 2 – MLDE-DATA.confirm parameters	13
Table 3 – MLDE-DATA.indication parameters	14
Table 4 – MLDE-ERASE.request parameters	15
Table 5 – MLDE-ERASE.confirm parameters	16
Table 6 – Summary of the primitives accessed through the MLME-SAP	17
Table 7 – MLME-ASSOCIATE.request parameters	18
Table 8 – MLME-ASSOCIATE.indication parameters	19
Table 9 – MLME-ASSOCIATE.response parameters	20
Table 10 – MLME-ASSOCIATE.confirm parameters	21
Table 11 – MLME-DISASSOCIATE.request parameters	22
Table 12 – MLME-DISASSOCIATE.indication parameters	23
Table 13 – MLME-DISASSOCIATE.confirm parameters	24
Table 14 – MLME-BEACON-NOTIFY.indication parameters	25
Table 15 – Elements of mesh descriptor	26
Table 16 – MLME-READ-MIB.request parameters	27
Table 17 – MLME-READ-MIB.confirm parameters	28
Table 18 – MLME-RAP-MANAGEMENT.request parameters	29
Table 19 – MLME-RAP-MANAGEMENT.confirm parameters	29
Table 20 – MLME-RAP-MANAGEMENT.indication parameters	30
Table 21 – MLME-BEACON-LOST.indication parameters	32
Table 22 – MLME-BEACON-LOST.indication parameters	33
Table 23 – MLME-RESET.request parameters	34
Table 24 – MLME-RESET.confirm parameters	35
Table 25 – MLME-RX-ON.request parameters	35
Table 26 – MLME-RX-ON.confirm parameters	36
Table 27 – MLME-SCAN.request parameters	37
Table 28 – MLME-SCAN.confirm parameters	39
Table 29 – MLME-COMM-RESULT.indication parameters	40
Table 30 – MLME-WRITE-MIB.request parameters	41
Table 31 – MLME-WRITE-MIB.confirm parameters	42
Table 32 – MLME-START.request parameters	43
Table 33 – MLME-START.confirm parameters	44
Table 34 – MLME-SYNC.request parameters	45
Table 35 – MLME-SYNC-LOSS.indication parameters	46

Table 36 – MLME-INDIRECT-COMM.request parameters	48
Table 37 – MLME-INDIRECT-COMM.confirm parameters	48
Table 38 – MAC command frame	53
Table 39 – Association request command	53
Table 41 – Association response command	54
Table 42 – Association status field	55
Table 43 – Disassociation notification command format	55
Table 44 – Disassociation reason code	56
Table 45 – Data request command format	57
Table 46 – Mesh ID conflict notification command format	57
Table 47 – Orphan notification command format	58
Table 48 – Beacon request command format	58
Table 49 – Co-ordinator realignment command format	59
Table 50 – CFP request command format	60
Table 51 – CFP characteristics field format	60
Table 52 – Rate reconfiguration request format	60
Table 53 – Data rate	61
Table 54 – Rate reconfiguration request command format	61

ITeH STANDARD PREVIEW
(standards.iteh.ai)

[ISO/IEC 29145-2:2014](https://standards.iteh.ai/catalog/standards/sist/3a34d9f4-529c-4254-949f-7892222da0d0/iso-iec-29145-2-2014)

<https://standards.iteh.ai/catalog/standards/sist/3a34d9f4-529c-4254-949f-7892222da0d0/iso-iec-29145-2-2014>

INFORMATION TECHNOLOGY – WIRELESS BEACON-ENABLED ENERGY EFFICIENT MESH NETWORK (WIBEEM) STANDARD FOR WIRELESS HOME NETWORK SERVICES –

Part 2: MAC layer

FOREWORD

- 1) ISO (International Organization for Standardization) and IEC (International Electrotechnical Commission) form the specialized system for worldwide standardization. National bodies that are members of ISO or IEC participate in the development of International Standards. Their preparation is entrusted to technical committees; any ISO and IEC member body interested in the subject dealt with may participate in this preparatory work. International governmental and non-governmental organizations liaising with ISO and IEC also participate in this preparation.
- 2) In the field of information technology, ISO and IEC have established a joint technical committee, ISO/IEC JTC 1. Draft International Standards adopted by the joint technical committee are circulated to national bodies for voting. Publication as an International Standard requires approval by at least 75 % of the national bodies casting a vote.
- 3) The formal decisions or agreements of IEC and ISO on technical matters express, as nearly as possible, an international consensus of opinion on the relevant subjects since each technical committee has representation from all interested IEC and ISO member bodies.
- 4) IEC, ISO and ISO/IEC publications have the form of recommendations for international use and are accepted by IEC and ISO member bodies in that sense. While all reasonable efforts are made to ensure that the technical content of IEC, ISO and ISO/IEC publications is accurate, IEC or ISO cannot be held responsible for the way in which they are used or for any misinterpretation by any end user.
- 5) In order to promote international uniformity, IEC and ISO member bodies undertake to apply IEC, ISO and ISO/IEC publications transparently to the maximum extent possible in their national and regional publications. Any divergence between any ISO/IEC publication and the corresponding national or regional publication should be clearly indicated in the latter.
- 6) ISO and IEC provide no marking procedure to indicate their approval and cannot be rendered responsible for any equipment declared to be in conformity with an ISO/IEC publication.
- 7) All users should ensure that they have the latest edition of this publication.
<https://standards.iteh.ai/catalog/standards/sist/3a34d9f1-529c-4254-949f-7892222da0d0/iso-iec-29145-2-2014>
- 8) No liability shall attach to IEC or ISO or its directors, employees, servants or agents including individual experts and members of their technical committees and IEC or ISO member bodies for any personal injury, property damage or other damage of any nature whatsoever, whether direct or indirect, or for costs (including legal fees) and expenses arising out of the publication of, use of, or reliance upon, this ISO/IEC publication or any other IEC, ISO or ISO/IEC publications.
- 9) Attention is drawn to the normative references cited in this publication. Use of the referenced publications is indispensable for the correct application of this publication.
- 10) Attention is drawn to the possibility that some of the elements of this International Standard may be the subject of patent rights. ISO and IEC shall not be held responsible for identifying any or all such patent rights.

International Standard ISO/IEC 29145-2 was prepared by subcommittee 25: Interconnection of information technology equipment, of ISO/IEC joint technical committee 1: Information technology.

The list of all currently available parts of the ISO/IEC 29145 series, under the general title *Information technology – Wireless beacon-enabled energy efficient mesh network (WiBEEM) for wireless home network services*, can be found on the IEC web site.

This International Standard has been approved by vote of the member bodies, and the voting results may be obtained from the address given on the second title page.

This publication has been drafted in accordance with the ISO/IEC Directives, Part 2.

INTRODUCTION

This International Standard specifies the WiBEEM (Wireless Beacon-enabled Energy Efficient Mesh network) protocol, which provides low-power-consuming mesh network functions by enabling the “beacon mode operation”. WiBEEM is based on IEEE 802.15.4 standard with additional upper layer protocols and a specific usage of the MAC layer protocol. Through the novel use of beacons, WiBEEM technology achieves longer battery life, larger network support, quicker response, enhanced mobility and dynamic reconfiguration of the network topology compared with other protocols such as ZigBee.

In the beacon mode, Beacon information propagates over the entire mesh network nodes during the BOP (Beacon-Only Period) of the superframe structure without any beacon conflicts by utilising a smart beacon scheduling technique in the BOP. It also provides location information about moving devices without spending extra time running a positioning and locating algorithm by using RSSI (Received Signal Strength Indication). These features allow the WiBEEM protocol to be widely used for wireless home network services in the ubiquitous network era.

One of the key features of the WiBEEM protocol is that it has a special time interval called BOP (Beacon-Only Period) in the superframe structure that allows more than two beacons to be transmitted. This unique time period is located at the beginning of the Superframe. Because the BOP does not use the CSMA/CA mechanism, the network will not work properly in the beacon mode unless an appropriate algorithm is applied. This algorithm needs to manage and control multiple beacons in a single superframe. The solution is the Beacon Scheduling method applied in the BOP to avoid collisions among beacons, providing synchronisation among all the nodes of the entire mesh network.

For the network layer, the NAA (Next Address Available) mechanism, which is a short address allocation algorithm, has been adopted to provide an efficient way of utilising the complete 16-bit address space. The NAA algorithm does not limit the maximum number of children nodes that a node of a mesh network can have. Since the number of children nodes is unlimited, the NAA mechanism allows the WiBEEM protocol to be used not only for home network services, but also for community services. WiBEEM can be used where high network expandability through efficient use of short address spaces, device mobility and end-to-end QoS are required.

This part of the standard ISO/IEC 29145 specifies the Medium Access Control (MAC) layer of the WiBEEM protocol.

INFORMATION TECHNOLOGY – WIRELESS BEACON-ENABLED ENERGY EFFICIENT MESH NETWORK (WiBEEM) STANDARD FOR WIRELESS HOME NETWORK SERVICES –

Part 2: MAC layer

1 Scope

This part of ISO/IEC 29145 specifies the MAC of the WiBEEM (Wireless Beacon-enabled Energy Efficient Mesh network) protocol for wireless home network services that supports a low power-consuming wireless mesh network as well as device mobility and QoS.

2 Normative reference

The following documents, in whole or in part, are normatively referenced in this document and are indispensable for its application. For dated references, only the edition cited applies. For undated references, the latest edition of the referenced document (including any amendments) applies.

ISO/IEC 29145-1:2014, *Information technology – Wireless beacon-enabled energy efficient mesh network (WiBEEM) for wireless home network services – Part 1: PHY layer*

IEEE 802.15.4:2003, *IEEE Standard for Information technology – Telecommunications and information exchange between systems (IEEE Local and metropolitan area networks – Specific requirements – Part 15.4: Wireless Medium Access Control (MAC) and Physical Layer (PHY) Specifications for Low-Rate Wireless Personal Area Networks (LR-WPANs)*

3 Terms, definitions and abbreviations

3.1 Terms and definitions

For the purposes of this document, the terms and definitions given in ISO/IEC 29145-1, as well as the following apply.

3.1.1 association

service used to establish the membership of a device in a wireless mesh network

3.1.2 co-ordinator

wireless device configured to provide synchronisation services through the transmission of beacons

Note 1 to entry: If a co-ordinator is the principal controller of a wireless mesh network, it is called the WMC (WiBEEM Mesh Co-ordinator).

3.1.3 device

entity containing an implementation of the WiBEEM applications, NWK, MAC and physical interface to the wireless medium

3.1.4**disassociation**

service that removes an existing association

3.1.5**frame**

data format of aggregated bits from a medium access control (MAC) layer entity transmitted in a specified sequence

3.1.6**logical channel**

abstract representation of a communications link independent of the physical implementation

Note 1 to entry: Defines "logical channel" as it is used this International Standard.

3.1.7**mobile device**

device that uses network communications while in motion

3.1.8**orphaned device**

device that has lost its parent node with its associated mesh network

3.1.9**packet**

format of aggregated bits transmitted in a specified sequence across the physical medium

3.1.10**payload data**

contents of a data message that is being transmitted

3.1.11**personal operating space**

space of typically about 10 m around a person or an object, no matter whether this person or object is stationary or in motion

3.1.12**protocol data unit**

unit of data exchanged between two peer entities

3.1.13**service data unit**

information delivered as a unit through a service access point (SAP)

3.2 Abbreviations

The following acronyms and abbreviations are used in this standard. They are commonly used in other industry publications.

BI	Beacon Interval
BN	Beacon Number
BO	Beacon Order
BOP	Beacon Only Period
BSN	Beacon Sequence Number
BTTSL	Beacon Transmit Time Slot Length
CAP	Contention Access Period

CFP	Contention-Free Period
CRC	Cyclic Redundancy Check
CSMA-CA	Carrier Sense Multiple Access With Collision Avoidance
DSN	Data Sequence Number
ED	Energy Detection
ID	Identifier
IFS	Interframe Space or Spacing
LIFS	Long Interframe Spacing
LQ	Link Quality
LQI	Link Quality Indication
LR-WPAN	Low-Rate Wireless Personal Area Network
MAC	Medium Access Control
MFR	MAC Footer
MHR	MAC Header
MIB	MAC Information Base
MLME	MAC Layer Management Entity
MLME-SAP	MAC Layer Management Entity-Service Access Point
MPDU	MAC Protocol Data Unit
MSDU	MAC Service Data Unit
NAA	Next Address Available
PDU	Protocol Data Unit
PHY	Physical Layer
PIB	PAN Information Base
PLME	Physical Layer Management Entity
PLME-SAP	Physical Layer Management Entity-Service Access Point
POS	Personal Operating Space
PQP	Prioritised QoS Period
QoS	Quality of Service
RAP	Reservation-based Access Period
RSSI	Received Signal Strength Indication
RX	Receive or Receiver
SAP	Service Access Point
SD	Superframe Duration
SDL	Specification and Description Language
SDU	Service Data Unit
SO	Superframe Order
WED	WiBEEM End Device
WiBEEM	Wireless Beacon-enabled Energy Efficient Mesh network
WMC	WiBEEM Mesh Co-ordinator
WRC	WiBEEM Routable Co-ordinator

3.3 Conventions

All the italicized words used in this standard represent relevant constants defined and stored in the MIB (Management Information Base) of each layer.

4 Conformance

A wireless device that claims conformance to this standard shall implement all the primitives that are specified in 6.2 and the MAC frame formats in 6.3. Each WiBEEM device shall be able to act as a WMC, a WRC and a WED. When operating in the role of a WMC it shall act as specified in 5.3.2 of ISO/IEC 29145-1:2014, when operating in the role of a WRC, it shall act as specified in 5.3.3 of ISO/IEC 29145-1:2014, and when operating in the role of a WED, it shall act as specified in 5.3.3 of ISO/IEC 29145-1:2014.

5 Overview of the WiBEEM technology

Clause 5 of ISO/IEC 29145-1:2014 presents an overview of the WiBEEM technology and the functionalities of the WiBEEM devices.

6 MAC layer specifications

6.1 General

This clause specifies the MAC layer of this standard. The MAC layer handles all access to the physical radio channel and is responsible for the following tasks:

- generating network beacons if the device is a co-ordinator;
- synchronising to network beacons;
- supporting the mesh network association and disassociation;
- supporting device security;
- employing the CSMA/CA mechanism for channel access;
- handling and maintaining the RAP mechanism;
- providing a reliable link between two peer MAC entities;
- providing multi-rate operation between PLME and MLME.

Constants and attributes that are specified and maintained by the MAC layer are written in the text of this clause in italics. Constants have a general prefix of “a”. Attributes have a general prefix of “mac”.

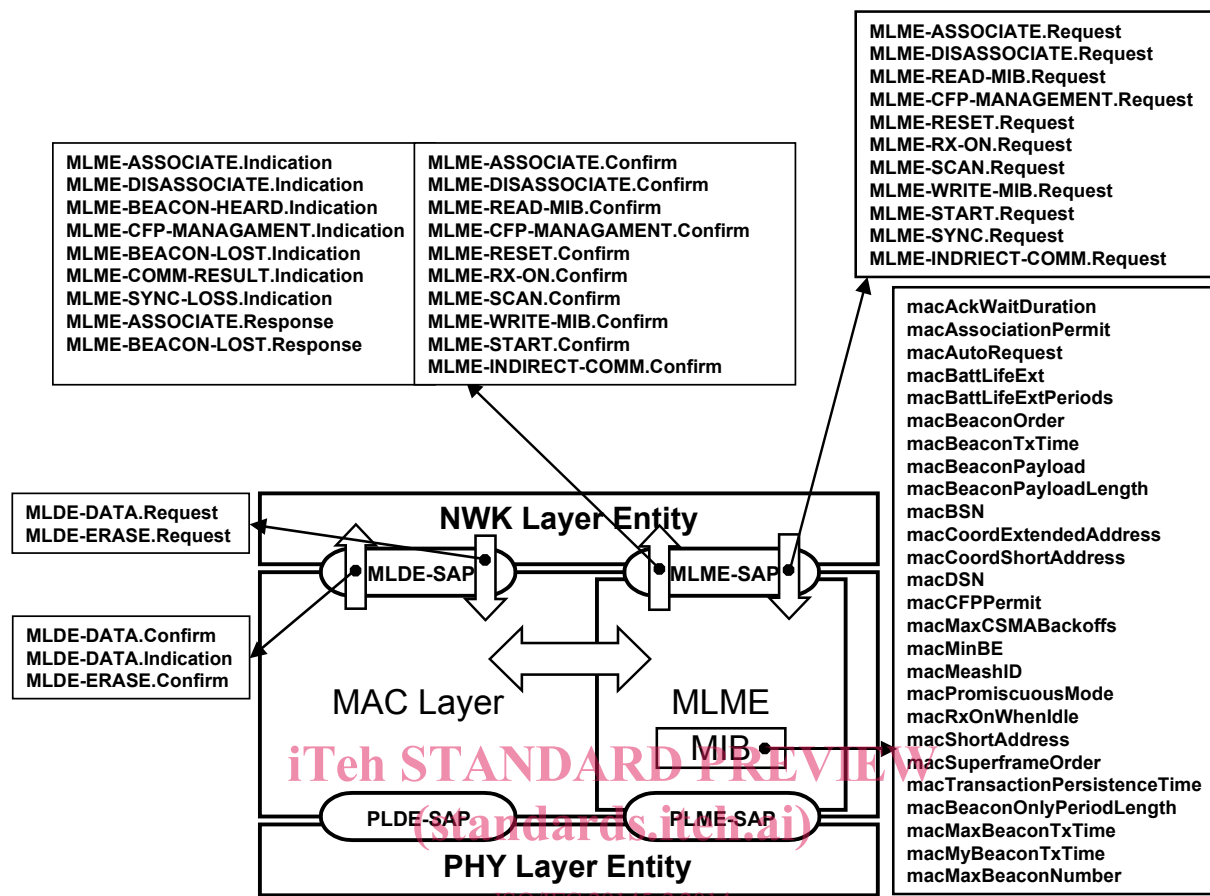
6.2 MAC layer service specifications

6.2.1 Service overview

The MAC layer services provide an interface between the MAC layer and the PHY layer. The MAC layer conceptually includes a management entity called MLME. This entity shall provide the service interfaces through which layer management functions may be invoked. MLME is also responsible for maintaining a database of managed objects pertaining to the MAC layer. This database is referred to as the MIB representing the MAC layer information base. The MAC layer provides two services, accessed through two SAPs:

- MAC data service, accessed through the MAC layer data SAP (MLDE-SAP), and
- MAC management service, accessed through the MLME-SAP.

These two services provide the interface between the MAC and the PHY layers, via the PLDE-SAP and PLME-SAP interfaces shown in Figure 1. In addition to these external interfaces, an implicit interface also exists between the two layers.



ISO/IEC 29145-2:2014
<https://standards.iTech.ai/catalog/standards/sist/3a34d9f1-529c-4254-949f-7872222da0d0/iso-iec-29145-2-2014>
Figure 1 – MAC layer structure

6.2.2 MAC data service

6.2.2.1 Overview

The MLDE-SAP supports the transport of MAC protocol data units (MPDUs) between peer MAC entities.

6.2.2.2 MLDE-DATA.request

6.2.2.2.1 Function

The MLDE-DATA.request primitive requests the transfer of a data MSDU from a local MAC entity to a single peer MAC entity.

6.2.2.2.2 Semantics of the service primitive

The semantics of the MCPS-DATA.request primitive are as follows:

MLDE-DATA.request (

- SrcAddrMode,
- SrcMeshId,
- SrcAddr,
- DstAddrMode,
- DstMeshId,
- DstAddr,
- msduLength,
- msdu,
- msduHandle,

TxOptions
)

Table 1 specifies the parameters for the MLDE-DATA.request primitive.

Table 1 – MLDE-DATA.request parameters

Name	Type	Valid range	Description
SrcAddrMode	Integer	0x00 to 0x03	The source addressing mode for this primitive and subsequent MPDU. This value can take one of the following values: 0x00 = no address (addressing fields omitted, see 6.3.2). 0x01 = reserved. 0x02 = 16-bit short address. 0x03 = 64-bit extended address.
SrcMeshId	Integer	0x0000 to 0xffff	The 16-bit Mesh identifier of the entity to which the MSDU is being transferred.
SrcAddr	Device address	As specified by theSrcAddrMode parameter	The individual device address of the entity to which the MSDU is being transferred.
DstAddrMode	Integer	0x00 to 0x03	The destination addressing mode for this primitive and subsequent MPDU. This value can take one of the following values: 0x00 = no address (addressing fields omitted, see 6.3.2). 0x01 = reserved. 0x02 = 16-bit short address. 0x03 = 64-bit extended address.
DstMeshId	Integer	0x0000 to 0xffff	The 16-bit mesh network identifier of the entity to which the MSDU is being transferred.
DstAddr	Device address	As specified by the DstAddrMode parameter	The individual device address of the entity to which the MSDU is being transferred.
msduLength	integer	≤ aMaxMAC-FrameSize	The number of octets contained in the MSDU to be transmitted by the MAC layer entity.
msdu	Set of octets	–	The set of octets forming the MSDU to be transmitted by the MAC layer entity.
msduHandle	integer	0x00 to 0xff	The handle associated with the MSDU to be transmitted by the MAC layer entity.
TxOptions	Bitmap	3-bit field	The 3 bits (b ₀ , b ₁ , b ₂) indicate the transmission options for this MSDU. 0x01 = acknowledged transmission 0x02 = RAP transmission 0x04 = Indirect transmission 0x08 = security enabled transmission

6.2.2.2.3 Appropriate usage

The MLDE-DATA.request primitive is generated by a local MAC entity when an MSDU is to be transferred to a peer MAC entity.

6.2.2.2.4 Effect on receipt

On receipt of the MLDE-DATA.request primitive, the MAC layer entity begins the transmission of the supplied MSDU.

6.2.2.3 MLDE-DATA.confirm

6.2.2.3.1 Function

The MLDE-DATA.confirm primitive reports the results of a request to transfer a data MSDU from a local MAC entity to a single peer MAC entity.

6.2.2.3.2 Semantics of the service primitive

The semantics of the MLDE-DATA.confirm primitive are as follows:

```
MLDE-DATA.confirm    (
                        msduHandle,
                        Status
                      )
```

Table 2 specifies the parameters for the MLDE-DATA.confirm primitive.

Table 2 – MLDE-DATA.confirm parameters

Name	Type	Valid range	Description
MsdHandle	Integer	0x00 to 0xff	The handle associated with the MSDU being confirmed.
Status	Enumeration	SUCCESS, TRANSACTION_OVERFLOW, TRANSACTION_EXPIRED, CHANNEL_ACCESS_FAILURE, INVALID_RAP, NO_ACK, UNAVAILABLE_KEY, FRAME_TOO_LONG, FAILED_SECURITY_CHECK, or INVALID_PARAMETER	The status of the last MSDU transmission.

6.2.2.3.3 When generated

The MLDE-DATA.confirm primitive is generated by the MAC layer entity in response to an MLDE-DATA.request primitive. The MLDE-DATA.confirm primitive returns a status of either SUCCESS, indicating that the request to transmit was successful, or the appropriate error code including TRANSACTION_OVERFLOW, TRANSACTION_EXPIRED, CHANNEL_ACCESS_FAILURE, INVALID_RAP, NO_ACK, UNAVAILABLE_KEY, FRAME_TOO_LONG, FAILED_SECURITY_CHECK, or INVALID_PARAMETER.

6.2.2.3.4 Appropriate usage

On receipt of the MLDE-DATA.confirm primitive, the MAC of the initiating device is notified of the result of its request to transmit. If the transmission attempt was successful, the status parameter will be set to SUCCESS. Otherwise, the status parameter will indicate the error.

6.2.2.4 MLDE-DATA.indication

6.2.2.4.1 Function

The MLDE-DATA.indication primitive indicates the transfer of an MSDU from the MAC layer to the local MAC entity.