
Solid biofuels — Determination of the content of volatile matter

*Biocombustibles solides — Méthode de détermination de la teneur en
matières volatiles*

iTeh STANDARD PREVIEW
(standards.iteh.ai)

ISO 18123:2015

<https://standards.iteh.ai/catalog/standards/sist/32b8067c-bea4-4a30-a75e-1a086630e515/iso-18123-2015>



iTeh STANDARD PREVIEW
(standards.iteh.ai)

ISO 18123:2015

<https://standards.iteh.ai/catalog/standards/sist/32b8067c-bea4-4a30-a75e-1a086630e515/iso-18123-2015>



COPYRIGHT PROTECTED DOCUMENT

© ISO 2015, Published in Switzerland

All rights reserved. Unless otherwise specified, no part of this publication may be reproduced or utilized otherwise in any form or by any means, electronic or mechanical, including photocopying, or posting on the internet or an intranet, without prior written permission. Permission can be requested from either ISO at the address below or ISO's member body in the country of the requester.

ISO copyright office
Ch. de Blandonnet 8 • CP 401
CH-1214 Vernier, Geneva, Switzerland
Tel. +41 22 749 01 11
Fax +41 22 749 09 47
copyright@iso.org
www.iso.org

Contents

	Page
Foreword.....	iv
Introduction.....	v
1 Scope	1
2 Normative references	1
3 Terms and definitions	1
4 Principle	2
5 Apparatus	2
5.1 Furnace.....	2
5.2 Thermocouples and temperature calibration.....	3
5.3 Crucible.....	3
5.4 Crucible stand.....	4
5.5 Balance.....	5
5.6 Desiccator and desiccant.....	5
6 Sample preparation	5
6.1 Sample size.....	5
6.2 Sample conditioning.....	5
7 Procedure	6
7.1 Conditioning of crucibles.....	6
7.2 Charging of crucibles.....	6
7.3 Volatilization of test portion.....	6
8 Calculation	6
9 Performance characteristics	7
9.1 Repeatability.....	7
9.2 Reproducibility.....	7
10 Test report	7
Bibliography	8

Foreword

ISO (the International Organization for Standardization) is a worldwide federation of national standards bodies (ISO member bodies). The work of preparing International Standards is normally carried out through ISO technical committees. Each member body interested in a subject for which a technical committee has been established has the right to be represented on that committee. International organizations, governmental and non-governmental, in liaison with ISO, also take part in the work. ISO collaborates closely with the International Electrotechnical Commission (IEC) on all matters of electrotechnical standardization.

The procedures used to develop this document and those intended for its further maintenance are described in the ISO/IEC Directives, Part 1. In particular the different approval criteria needed for the different types of ISO documents should be noted. This document was drafted in accordance with the editorial rules of the ISO/IEC Directives, Part 2 (see www.iso.org/directives).

Attention is drawn to the possibility that some of the elements of this document may be the subject of patent rights. ISO shall not be held responsible for identifying any or all such patent rights. Details of any patent rights identified during the development of the document will be in the Introduction and/or on the ISO list of patent declarations received (see www.iso.org/patents).

Any trade name used in this document is information given for the convenience of users and does not constitute an endorsement.

For an explanation on the meaning of ISO specific terms and expressions related to conformity assessment, as well as information about ISO's adherence to the WTO principles in the Technical Barriers to Trade (TBT) see the following URL: [Foreword - Supplementary information](#)

The committee responsible for this document is ISO/TC 238, *Solid biofuels*.

ISO 18123:2015

<https://standards.iteh.ai/catalog/standards/sist/32b8067c-bea4-4a30-a75e-1a086630e515/iso-18123-2015>

Introduction

The volatile matter content is determined as the loss in mass, less that due to moisture, when a solid biofuel is heated out of contact with air under standardised conditions. The test is empirical and, in order to ensure reproducible results, it is essential that the rate of heating, the final temperature, and the overall duration of the test are carefully controlled. It is also essential to exclude air from the solid biofuel during heating to prevent oxidation. The fit of the crucible lid is therefore critical. The moisture content of the general analysis sample is determined at the same time as the volatile matter so that the appropriate correction can be made.

iTeh STANDARD PREVIEW (standards.iteh.ai)

[ISO 18123:2015](https://standards.iteh.ai/catalog/standards/sist/32b8067c-bea4-4a30-a75e-1a086630e515/iso-18123-2015)

<https://standards.iteh.ai/catalog/standards/sist/32b8067c-bea4-4a30-a75e-1a086630e515/iso-18123-2015>

iTeh STANDARD PREVIEW
(standards.iteh.ai)

ISO 18123:2015

<https://standards.iteh.ai/catalog/standards/sist/32b8067c-bea4-4a30-a75e-1a086630e515/iso-18123-2015>

Solid biofuels — Determination of the content of volatile matter

1 Scope

This International Standard aims to define the requirements and method used to determine the volatile matter content of solid biofuels. It is intended for persons and organisations that manufacture, plan, sell, erect or use machinery, equipment, tools, and entire plants related to solid biofuels, and to all persons and organisations involved in producing, purchasing, selling, and utilizing solid biofuels.

The volatile matter content is determined as the loss in mass, less that due to moisture, when solid biofuel is subject to partial pyrolysis under standardized conditions.

2 Normative references

The following documents, in whole or in part, are normatively referenced in this document and are indispensable for its application. For dated references, only the edition cited applies. For undated references, the latest edition of the referenced document (including any amendments) applies.

ISO 16559, *Solid biofuels — Terminology, definitions and descriptions*

ISO 18134-3, *Solid biofuels — Determination of moisture content — Oven dry method — Part 3: Moisture in general analysis sample*

EN 14778¹⁾, *Solid Biofuels — Sampling* [ISO 18123:2015](https://standards.iteh.ai/catalog/standards/sist/32b8067c-bea4-4a30-a75e-406930c315/iso-18123-2015)

EN 14780²⁾, *Solid biofuels — Sample preparation* <https://standards.iteh.ai/catalog/standards/sist/32b8067c-bea4-4a30-a75e-406930c315/iso-18123-2015>

3 Terms and definitions

For the purposes of this document, the terms and definitions given in ISO 16559 and the following apply.

3.1

nominal top size

aperture of the sieve where at least 95 % by mass of the material passes

[SOURCE: ISO 16559]

3.2

laboratory sample

combined sample or a sub-sample of a combined sample for use in a laboratory

[SOURCE: ISO 16559]

3.3

test portion

sub-sample either of a laboratory sample or a test sample

[SOURCE: ISO 16559]

1) To be replaced by ISO 18135.

2) To be replaced by ISO 14780.

**3.4
general analysis sample**

sub-sample of a laboratory sample having a nominal top size of 1 mm or less and used for a number of chemical and physical analyses

[SOURCE: ISO 16559]

4 Principle

A portion of the general analysis sample is heated mostly out of contact with air at $900\text{ °C} \pm 10\text{ °C}$ for 7 min. The furnace is normally not equipped with a vacuum however there is a partial vacuum created during heating to a degree depending on air influx during charging of the test portion into the chamber and the air trapped in the crucible before the lid is put on. The percentage of volatile matter is calculated from the loss in mass of the test portion after deducting the loss in mass due to moisture.

Automatic equipment may be used when the method is validated with biomass reference samples of an adequate biomass type. The automatic equipment shall fulfil all the requirements given in [Clauses 5 to 8](#) regarding sample size, atmosphere, temperatures, and weighing accuracy.

5 Apparatus

5.1 Furnace

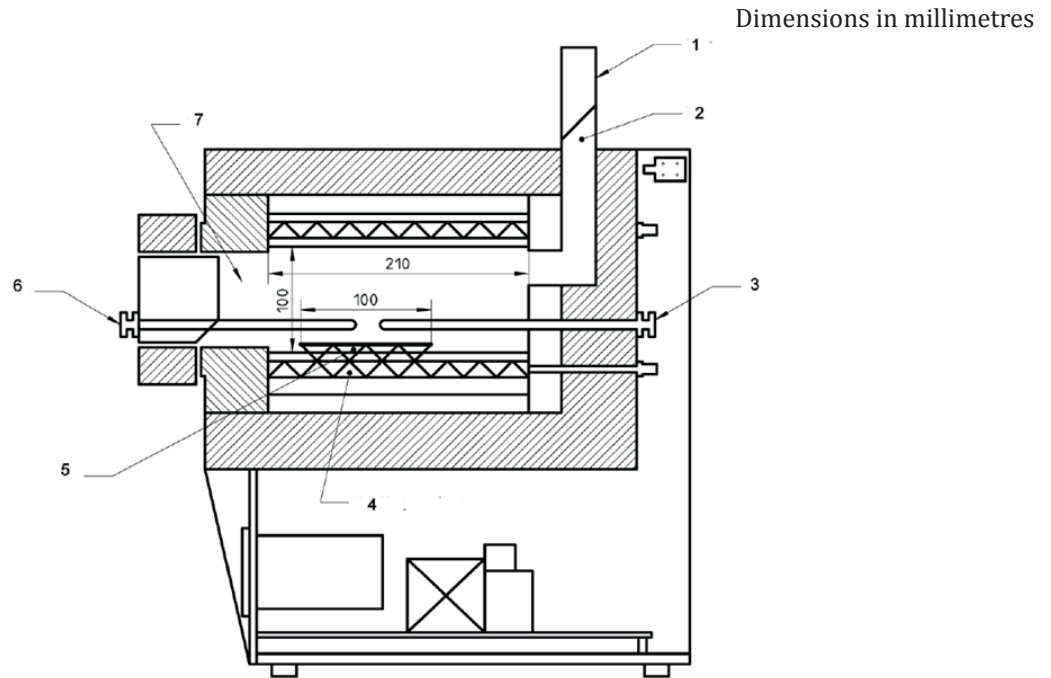
The furnace shall be heated by electricity, in which a zone of uniform temperature of $900\text{ °C} \pm 10\text{ °C}$ can be maintained (see example in [Figure 1](#)).

NOTE It is important for furnaces to have flues so that the furnace door seals well. The flue should not reach far out of the oven and should be fitted with a butterfly valve to restrict airflow through the furnace.

Its heating capacity shall be such that, with an initial temperature of $900\text{ °C} \pm 10\text{ °C}$, the temperature is regained within 4 min after insertion of a cold stand and its crucibles. The temperature is measured with a thermocouple, as described in [5.2](#).

Normally the furnace will be designed specifically either for multiple determinations using a number of crucibles in one stand or for receiving one crucible and its stand.

The crucible stand shall be placed in the middle of the furnace. The temperature of 900 °C shall be attained as closely as possible with a specified tolerance of $\pm 10\text{ °C}$ in order to compensate for inherent errors in the temperature measurement and lack of uniformity in the temperature distribution.



iTeh STANDARD PREVIEW
Figure 1 — Example of suitable furnace
(standards.iteh.ai)

Key

- | | | | | |
|---|----------------|---|---|-----------------------------|
| 1 | flue | ISO 18123:2015 | 5 | zone of uniform temperature |
| 2 | valve | https://standards.iteh.ai/catalog/standards/sist/32b8067c-bea4-4a30-a75e-1a086630e515/iso-18123-2015 | 6 | check thermocouple |
| 3 | thermocouple | | 7 | chamber (width 700 mm) |
| 4 | heating system | | | |

5.2 Thermocouples and temperature calibration

A sheathed thermocouple shall be permanently installed in the furnace (see right hand side of [Figure 1](#)) with its thermo junction as close as possible to the centre of the heating chamber.

An unsheathed thermocouple (see left hand side of [Figure 1](#)) long enough to reach the centre of the heating chamber is used for calibration.

The furnace temperature readings shall be checked at regular time intervals with an unsheathed calibrated thermocouple. The unsheathed thermocouple (see [Clause 5](#)) shall be positioned as close as possible to the area of the permanently installed thermocouple.

NOTE The temperature/electromotive force (EMF) relationship of a thermo junction maintained at elevated temperatures gradually changes with time, which means that the time for the determination should not be longer than necessary.

5.3 Crucible

The crucible shall be cylindrical, with a well-fitting lid, both made of fused silica. The crucible with lid shall have a mass between 10 g and 14 g and dimensions approximate those shown in [Figure 2](#). The fit of the lid on the crucible is critical to the determination and a lid shall be selected to match the crucible so that the horizontal clearance between them is no greater than 0,5 mm. After selection, the crucible and the lid shall be ground together to give smooth surfaces and then be given a common distinguishing mark.