



SLOVENSKI STANDARD SIST EN 1306:2018

01-junij-2018

Nadomešča:
SIST EN 1306:2000

Plovila za celinske vode - Priključki za odvajanje odpadne vode

Inland navigation vessels - Connections for the discharge of waste water

Fahrzeuge der Binnenschifffahrt - Anschlüsse für die Abgabe von Schmutzwasser

Bateaux de navigation intérieure - Raccords d'évacuation d'eaux usées
iTeh STANDARD PREVIEW
(standards.iteh.ai)

Ta slovenski standard je istoveten z: SIST EN 1306:2018

<https://standards.iteh.ai/catalog/standards/sist/94c00358-133a-459e-99e4-b15921ff7ee/sist-en-1306-2018>

ICS:

47.020.30	Sistemi cevi	Piping systems
47.060	Jezerska in rečna plovila	Inland navigation vessels

SIST EN 1306:2018

en,fr,de

iTeh STANDARD PREVIEW
(standards.iteh.ai)

SIST EN 1306:2018

<https://standards.iteh.ai/catalog/standards/sist/94c00358-133a-459e-99e4-f315921ff7ce/sist-en-1306-2018>

EUROPEAN STANDARD
NORME EUROPÉENNE
EUROPÄISCHE NORM

EN 1306

March 2018

ICS 47.020.30

Supersedes EN 1306:1996

English Version

**Inland navigation vessels - Connections for the discharge
of waste water**

Bateaux de navigation intérieure - Raccords
d'évacuation d'eaux usées

Fahrzeuge der Binnenschifffahrt - Anschlüsse für die
Abgabe von Abwasser

This European Standard was approved by CEN on 18 January 2018.

CEN members are bound to comply with the CEN/CENELEC Internal Regulations which stipulate the conditions for giving this European Standard the status of a national standard without any alteration. Up-to-date lists and bibliographical references concerning such national standards may be obtained on application to the CEN-CENELEC Management Centre or to any CEN member.

This European Standard exists in three official versions (English, French, German). A version in any other language made by translation under the responsibility of a CEN member into its own language and notified to the CEN-CENELEC Management Centre has the same status as the official versions.

CEN members are the national standards bodies of Austria, Belgium, Bulgaria, Croatia, Cyprus, Czech Republic, Denmark, Estonia, Finland, Former Yugoslav Republic of Macedonia, France, Germany, Greece, Hungary, Iceland, Ireland, Italy, Latvia, Lithuania, Luxembourg, Malta, Netherlands, Norway, Poland, Portugal, Romania, Serbia, Slovakia, Slovenia, Spain, Sweden, Switzerland, Turkey and United Kingdom.

<https://standards.iteh.ai/catalog/standards/sist/94c00358-133a-459e-99e4-f315921ff7ce/sist-en-1306-2018>



EUROPEAN COMMITTEE FOR STANDARDIZATION
COMITÉ EUROPÉEN DE NORMALISATION
EUROPÄISCHES KOMITEE FÜR NORMUNG

CEN-CENELEC Management Centre: Rue de la Science 23, B-1040 Brussels

Contents		Page
European foreword.....		3
Introduction		4
1	Scope.....	5
2	Normative references.....	5
3	Terms and definitions	5
4	Technical requirements.....	6
4.1	General.....	6
4.2	Design.....	6
4.3	Dimensions.....	9
4.4	Connection configuration.....	9
5	Material.....	10
5.1	General.....	10
5.2	Pipe with a threaded neck and adapter	10
5.3	Coupling connection.....	10
5.4	Blanking cap.....	10
6	Testing.....	10
7	Designation.....	10
8	Marking.....	10

ITeH STANDARD PREVIEW
(standards.iteh.ai)
SIST EN 1306:2018
<https://standards.iteh.ai/catalog/standards/sist/94c00358-133a-459e-99e4-f315921ff7ce/sist-en-1306-2018>

European foreword

This document (EN 1306:2018) has been prepared by Technical Committee CEN/TC 15 “Inland navigation vessels”, the secretariat of which is held by DIN.

This European Standard shall be given the status of a national standard, either by publication of an identical text or by endorsement, at the latest by September 2018, and conflicting national standards shall be withdrawn at the latest by September 2018.

Attention is drawn to the possibility that some of the elements of this document may be the subject of patent rights. CEN shall not be held responsible for identifying any or all such patent rights.

This document supersedes EN 1306:1996.

According to the CEN-CENELEC Internal Regulations, the national standards organisations of the following countries are bound to implement this European Standard: Austria, Belgium, Bulgaria, Croatia, Cyprus, Czech Republic, Denmark, Estonia, Finland, Former Yugoslav Republic of Macedonia, France, Germany, Greece, Hungary, Iceland, Ireland, Italy, Latvia, Lithuania, Luxembourg, Malta, Netherlands, Norway, Poland, Portugal, Romania, Serbia, Slovakia, Slovenia, Spain, Sweden, Switzerland, Turkey and the United Kingdom.

iTeh STANDARD PREVIEW (standards.iteh.ai)

SIST EN 1306:2018

<https://standards.iteh.ai/catalog/standards/sist/94c00358-133a-459e-99e4-f315921ff7ce/sist-en-1306-2018>

EN 1306:2018 (E)**Introduction**

This European Standard has been developed to specify uniform connections for the discharge of waste water.

The connection consists of a quick-release coupling that enables easy and safe handling and safe discharge of waste water. By limiting the use of this coupling device to waste water, confusion is avoided with connections for other fluids.

Waste water on inland navigation vessels is disposed of by suction or pressure.

**iTeh STANDARD PREVIEW
(standards.iteh.ai)**

[SIST EN 1306:2018](https://standards.iteh.ai/catalog/standards/sist/94c00358-133a-459e-99e4-f315921ff7ce/sist-en-1306-2018)

<https://standards.iteh.ai/catalog/standards/sist/94c00358-133a-459e-99e4-f315921ff7ce/sist-en-1306-2018>

1 Scope

This European Standard specifies the design, dimensions, technical requirements and testing of connections for the discharge of waste water produced by inland navigation vessels.

This standard specifies:

- a connection of a design common on inland navigation vessels which consists of a pipe with a threaded neck and quick-release coupling;
- a connection for vessels with flange ISO 7608 – B1, consisting of an adapter with matching flange and welded pipe with a threaded neck and quick-release coupling.

2 Normative references

The following documents, in whole or in part, are normatively referenced in this document and are indispensable for its application. For dated references, only the edition cited applies. For undated references, the latest edition of the referenced document (including any amendments) applies

EN 573-3, *Aluminium and aluminium alloys - Chemical composition and form of wrought products - Part 3: Chemical composition and form of products*

EN 12420, *Copper and copper alloys - Forgings*

EN 14420-6, *Hose fittings with clamp units - Part 6: TW tank truck couplings*

EN 22768-1, *General tolerances - Part 1: Tolerances for linear and angular dimensions without individual tolerance indications (ISO 2768-1)*

EN ISO 228-1, *Pipe threads where pressure-tight joints are not made on the threads - Part 1: Dimensions, tolerances and designation (ISO 228-1)*

EN ISO 4018, *Hexagon head screws - Product grade C (ISO 4018)*

EN ISO 4034, *Hexagon regular nuts (style 1) - Product grade C (ISO 4034)*

ISO 7608, *Shipbuilding — Inland navigation — Couplings for disposal of oily mixture and sewage water*

3 Terms and definitions

For the purposes of this document, the following terms and definitions apply.

3.1

waste water

waste water from kitchens, dining areas, washrooms (showers, washbasins) and laundry rooms and sewage

EN 1306:2018 (E)**4 Technical requirements****4.1 General**

General tolerances: ISO 2768 – c.

The requirements relate to the design, dimensions and configuration of the connection.

The assembly need not correspond to the representation in Figure 1 and Figure 2, but shall be carried out in such a way that no waste water enters the environment when the connection is released.

4.2 Design

Design R: connection of the inlet pipe permanently installed in the vessel to the quick-release coupling on the suction hose – see Figure 1.

Design F: connection of the flange as specified in ISO 7608 – B1 to the quick-release coupling on the suction hose – see Figure 2 .

Figure 3 shows the adapter, consisting of flange and a pipe with a threaded neck.

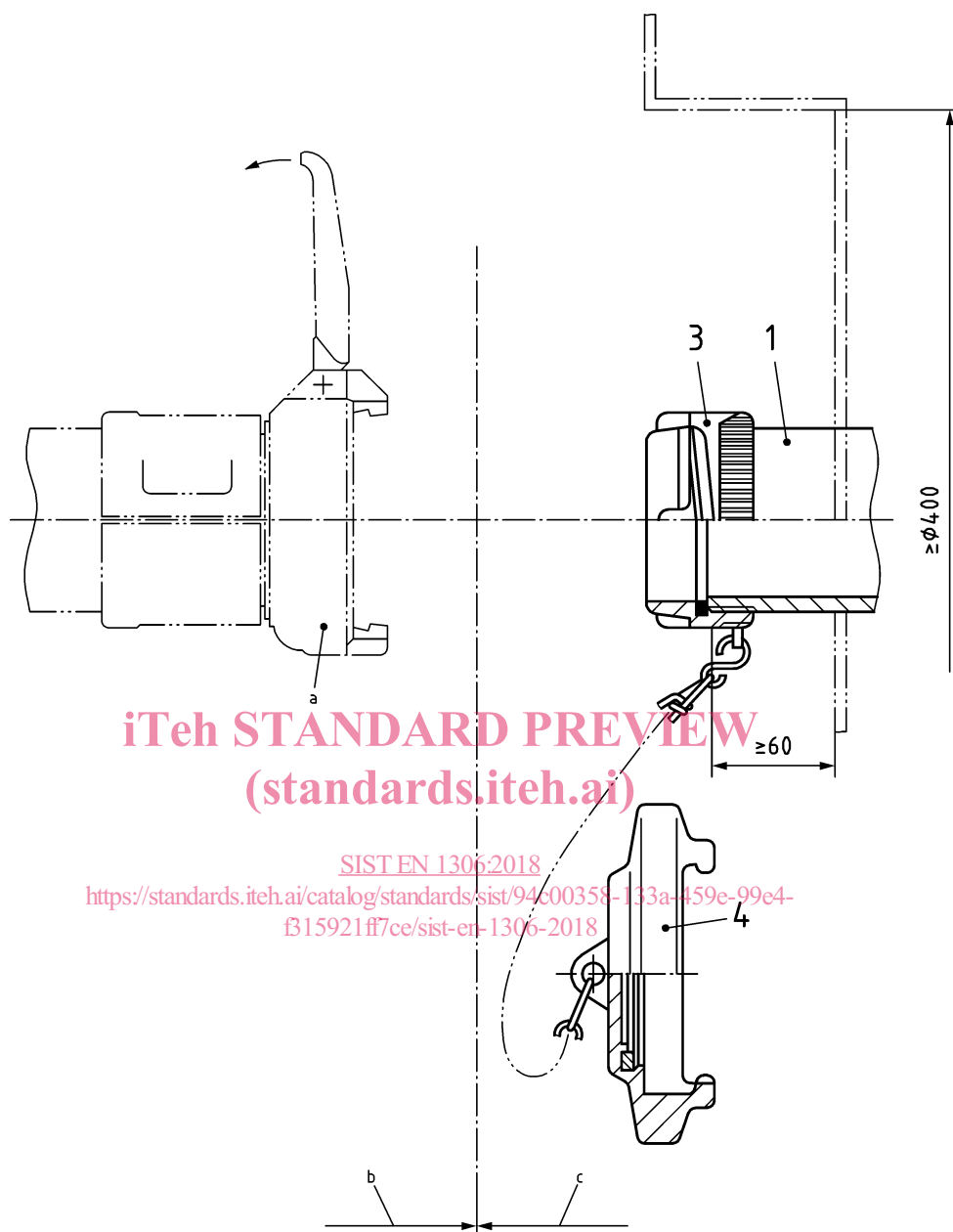
Table 1 indicates the items in Figures 1 to 3.

iTeh STANDARD PREVIEW
(standards.iteh.ai)

[SIST EN 1306:2018](https://standards.iteh.ai/catalog/standards/sist/94c00358-133a-459e-99e4-f315921ff7ce/sist-en-1306-2018)

<https://standards.iteh.ai/catalog/standards/sist/94c00358-133a-459e-99e4-f315921ff7ce/sist-en-1306-2018>

Dimensions in millimetres

**Key**

For item numbers, see parts list in Table 1

- a Female coupling according to EN 14420-6
- b Intake side
- c Discharge side/vessel

Figure 1 — Quick-release coupling connection Design R