
**Tyres — Electrical resistance — Test
method for measuring electrical
resistance of tyres on a test rig**

*Pneumatiques — Résistance électrique — Méthode d'essai pour
mesurer la résistance électrique des pneumatiques sur une
installation d'essai*

iTeh STANDARD PREVIEW
(standards.iteh.ai)

[ISO 16392:2017](https://standards.iteh.ai/catalog/standards/sist/b81ae263-e989-4d60-b5c7-42d2d5a86263/iso-16392-2017)

<https://standards.iteh.ai/catalog/standards/sist/b81ae263-e989-4d60-b5c7-42d2d5a86263/iso-16392-2017>



iTeh STANDARD PREVIEW
(standards.iteh.ai)

ISO 16392:2017

<https://standards.iteh.ai/catalog/standards/sist/b81ac263-e989-4d60-b5c7-42d2d5a86263/iso-16392-2017>



COPYRIGHT PROTECTED DOCUMENT

© ISO 2017, Published in Switzerland

All rights reserved. Unless otherwise specified, no part of this publication may be reproduced or utilized otherwise in any form or by any means, electronic or mechanical, including photocopying, or posting on the internet or an intranet, without prior written permission. Permission can be requested from either ISO at the address below or ISO's member body in the country of the requester.

ISO copyright office
Ch. de Blandonnet 8 • CP 401
CH-1214 Vernier, Geneva, Switzerland
Tel. +41 22 749 01 11
Fax +41 22 749 09 47
copyright@iso.org
www.iso.org

Contents

	Page
Foreword	iv
1 Scope	1
2 Normative references	1
3 Terms and definitions	1
4 Measurement	2
4.1 Description	2
4.2 Measuring equipment	2
4.3 Conditioning	2
4.4 Measurement conditions	3
5 Interpretation of results	4
6 Report	4
Annex A (normative) Limit values	5
Annex B (informative) Measurement of the electrical resistance of pneumatic and solid tyres on the vehicle	6
Annex C (informative) Measurement of the electrical resistance of pneumatic and solid tyres: Production control	8
Bibliography	9

ITeH STANDARD PREVIEW
(standards.iteh.ai)

[ISO 16392:2017](https://standards.iteh.ai/catalog/standards/sist/b81ac263-e989-4d60-b5c7-42d2d5a86263/iso-16392-2017)

<https://standards.iteh.ai/catalog/standards/sist/b81ac263-e989-4d60-b5c7-42d2d5a86263/iso-16392-2017>

Foreword

ISO (the International Organization for Standardization) is a worldwide federation of national standards bodies (ISO member bodies). The work of preparing International Standards is normally carried out through ISO technical committees. Each member body interested in a subject for which a technical committee has been established has the right to be represented on that committee. International organizations, governmental and non-governmental, in liaison with ISO, also take part in the work. ISO collaborates closely with the International Electrotechnical Commission (IEC) on all matters of electrotechnical standardization.

The procedures used to develop this document and those intended for its further maintenance are described in the ISO/IEC Directives, Part 1. In particular the different approval criteria needed for the different types of ISO documents should be noted. This document was drafted in accordance with the editorial rules of the ISO/IEC Directives, Part 2 (see www.iso.org/directives).

Attention is drawn to the possibility that some of the elements of this document may be the subject of patent rights. ISO shall not be held responsible for identifying any or all such patent rights. Details of any patent rights identified during the development of the document will be in the Introduction and/or on the ISO list of patent declarations received (see www.iso.org/patents).

Any trade name used in this document is information given for the convenience of users and does not constitute an endorsement.

For an explanation on the meaning of ISO specific terms and expressions related to conformity assessment, as well as information about ISO's adherence to the World Trade Organization (WTO) principles in the Technical Barriers to Trade (TBT) see the following URL: www.iso.org/iso/foreword.html.

This document was prepared by Technical Committee ISO/TC 31, *Tyres, rims and valves*.

This second edition cancels and replaces the first edition (ISO 16392:2007), which has been technically revised.

<https://standards.iteh.ai/catalog/standards/sist/b81ae263-e989-4d60-b5c7-42d2d5a86263/iso-16392-2017>

Tyres — Electrical resistance — Test method for measuring electrical resistance of tyres on a test rig

1 Scope

This document describes a test method to measure the electrical resistance of pneumatic and solid tyres, under load, on a test rig. Static charges on a vehicle sometimes need to be dissipated by way of the tyre. Electrical resistance inversely measures the ability of the tyre to dissipate static charge from the vehicle.

The method specifies procedures and equipment such that electrical resistance can be accurately determined for tyres with values up to $10^{12} \Omega$.

[Annex A](#) specifies the limit values in ohms (Ω) for both dissipative and conductive tyres. [Annex B](#) specifies additional conditions for measurement on a vehicle. [Annex C](#) specifies simplified test conditions for production control routine.

2 Normative references

The following documents are referred to in the text in such a way that some or all of their content constitutes requirements of this document. For dated references, only the edition cited applies. For undated references, the latest edition of the referenced document (including any amendments) applies.

ISO 4223 (all parts), *Definitions of some terms used in the tyre industry*

ISO 16392:2017

[https://standards.iteh.ai/catalog/standards/sist/b81ae263-e989-4d60-b5c7-](https://standards.iteh.ai/catalog/standards/sist/b81ae263-e989-4d60-b5c7-42d2d5a86263/iso-16392-2017)

[42d2d5a86263/iso-16392-2017](https://standards.iteh.ai/catalog/standards/sist/b81ae263-e989-4d60-b5c7-42d2d5a86263/iso-16392-2017)

3 Terms and definitions

For the purposes of this document, the terms and definitions given in ISO 4223 and the following apply.

ISO and IEC maintain terminological databases for use in standardization at the following addresses:

- IEC Electropedia: available at <http://www.electropedia.org/>
- ISO Online browsing platform: available at <http://www.iso.org/obp>

3.1

connecting point

any point on the wheel or metal loading plate where the leads of the resistance-measuring instrument are connected

3.2

test load

force applied to the tyre through the rim, normal to the metal loading plate onto which the tyre is loaded

3.3

tyre electrical resistance

resistance measured between the wheel of a mounted and inflated tyre-wheel assembly and a metallic plate onto which the tyre is loaded at a specified load

Note 1 to entry: Tyre electrical resistance is measured in ohms (Ω).

4 Measurement

4.1 Description

The electrical resistance of an inflated tyre-wheel assembly is measured between the wheel and the conducting surface against which the tyre is loaded.

4.2 Measuring equipment

Resistance shall be measured by a commercial instrument capable of measuring electrical resistance in ohms and having a power source capable of 1 000 V. The voltage shall be controlled as described in [Table 1](#) and shall not dissipate more than 3 W in the test sample. The instrument shall be capable of determining the resistance up to a value of $10^{12} \Omega$ with an accuracy of $\pm 10\%$. It is recommended that the input impedance shall be at least $10^{14} \Omega$.

The metal loading plate shall be flat and sufficient in dimensions to encompass the entire contact surface of the tyre under test, and with sufficient thickness to support the test loads described in [4.4](#) without visible deformation. The plate shall be made of a conductive corrosive-resistant metal, e.g. brass or stainless steel, and free from coating or obvious surface contamination, such as oxidation or corrosion. Aluminium shall not be used for the plate because of its high susceptibility to the rapid development of surface oxides, which may adversely affect reading accuracy.

The loading fixture (see [Figure 1](#)) shall be capable of applying the tyre load to the metal in a radial direction, against the metal loading plate. Test load measurement accuracy shall be $\pm 1\%$ of the full scale.

The sheet insulating material, such as polyethylene, PTFE (polytetrafluoroethylene) or equivalent, shall have sufficient strength to support the test loads described in [4.4](#) without visible deformation. The insulating material should have dimensions on all sides at least 50 mm greater than the metal loading plate. With insulating sheet installed between the metal loading plate and the loading apparatus base (see [Figure 1](#)), it is recommended that the electrical resistance between the plate and the loading apparatus be at least $10^{14} \Omega$. In any case, the electrical resistance of the plate relative to loading apparatus shall be at least two orders of magnitude higher than the resistance of the tyre being measured.

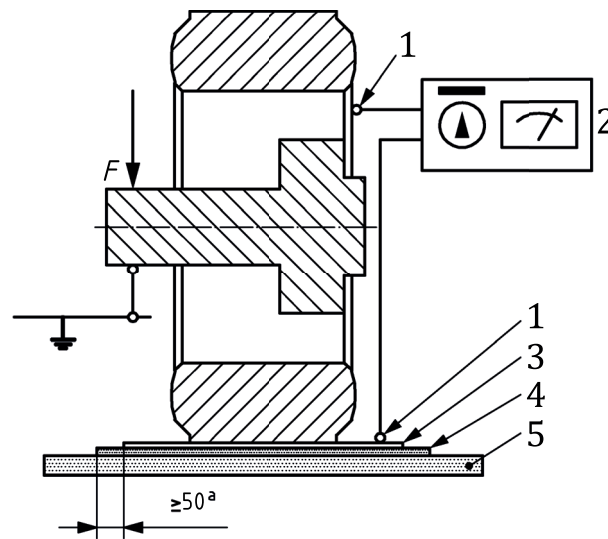
Table 1 — Test voltage resistance

Resistance range Ω	Test voltage V
10^3 to 10^4	1
10^4 to 10^5	10
10^5 to 10^6	100
10^6 to 10^{12}	1 000

4.3 Conditioning

For at least 8 h prior to measurement of passenger, light truck and motorcycle tyre applications (24 h for all other tyres: truck, industrial, agricultural and EM tyres), the tyre to be tested shall be kept at an ambient temperature of $(25_{-10}^{+5})^\circ\text{C}$, and a relative humidity less than or equal to 60 %.

Dimensions in millimetres

**Key**

- 1 connecting point
- 2 measuring instrument
- 3 metallic plate
- 4 insulating material
- 5 loading base
- F test load
- a Offset.

iTeh STANDARD PREVIEW
(standards.iteh.ai)

ISO 16392:2017

https://standards.iteh.ai/catalog/standards/sist/989-4d60-b5c7-42d2d5a86263/iso-16392-2017
Figure 1 — Apparatus

4.4 Measurement conditions

The test load applied during the measurement is $(80 \pm 5) \%$ of the maximum tyre load capacity marked; single load if both single and dual load are marked. The inflation pressure is equal to $(80 \pm 5) \%$ of the pressure corresponding to the maximum tyre load. The inflation pressure to be registered in the test report shall be appropriate for the test load applied. Ambient temperature during the measurement shall be maintained at $(25^{+5}_{-10})^{\circ}\text{C}$. Relative humidity shall be lower than or equal to 60 % during the measurement procedure.

The approved wheel (preferably steel) shall be stripped clean in the bead seat area, as well as at the connecting point. It is necessary to make sure the tyre is dry before taking the measurement. Dry mount the tyre if possible. To avoid damage to tyre in the case of difficult mounting conditions, a water-soluble mounting solution can be used. Any mounting solution on the sidewall or tread of the tyre shall be cleaned and dried. Mark a reference point on the tyre sidewall with a non-conductive material.

Set up the apparatus as shown in [Figure 1](#). Clean the metal loading plate with isopropyl alcohol or a similar agent and allow to dry. Conductive or non-conductive substances on the tyre which could affect the result, such as mould release agents, paints or both, shall be removed. The use of organic solvent, which is likely to attack the rubber, is prohibited. Connect the ohmmeter leads to the metal loading plate and the wheel.

Load the tyre-wheel assembly at the reference point to the value as specified in [4.4](#), hold for 1 min, and then remove the load. Repeat the load-unload cycle a second time.

If the resistance is less than $10^{10} \Omega$, the current should be not less than 10^{-7} A and the voltage not more than 1 000 V (see [Table 1](#)). Load the tyre a third time to the test load and immediately apply the test

voltage. Record the resistance measurement 3 min ± 10 s after the voltage has been applied. The voltage and the load shall be applied continuously to the tyre until the final measurement is recorded. Unload the tyre. Repeat the preload cycle and measurement for at least two other additional circumferential locations approximately evenly spaced around the tyre.

5 Interpretation of results

The resultant electrical resistance of the tyre is the highest value of the electrical resistance measurements of all circumferential measurement points.

6 Report

6.1 The report should contain the following information:

- individual measurements (Ω);
- highest value of measurements (Ω);
- applied voltage (V);
- products for cleaning the tyre and the plate;
- material of the test wheel;
- ambient temperature during the test ($^{\circ}\text{C}$);
- relative humidity during the test (%);
- tyre size;
- test load (N);
- test inflation pressure (kPa);
- rim width/contour.

STANDARD PREVIEW
(standards.iteh.ai)
<https://standards.iteh.ai/catalog/standards/sist/b81ae263-e989-4d60-b5c7-42d2d5a86263/iso-16392-2017>
[ISO 16392:2017](https://standards.iteh.ai/catalog/standards/sist/b81ae263-e989-4d60-b5c7-42d2d5a86263/iso-16392-2017)

6.2 The report can also contain the following additional information:

- manufacturer;
- brand name (commercial name);
- service description (load index, speed symbol or other load capacity);
- load capacity (kg);
- date of production;
- location of reference point.

Annex A (normative)

Limit values

A.1 General

The resultant electrical resistance of the tyre is the highest value of the electrical resistance measurements of all circumferential measurement points.

A.2 Limits

A.2.1 Normal applications — Dissipative tyres

Tyres presenting an electrical resistance lower than or equal to $10^{10} \Omega$, when measured according to the present method, are called “dissipative”.

A.2.2 Applications requiring tyres with a high electrical conductivity — Conductive tyres

Tyres presenting an electrical resistance lower than $10^6 \Omega$, when measured according to the present method, are called “conductive” (standards.iteh.ai)

[ISO 16392:2017](https://standards.iteh.ai/catalog/standards/sist/b81ac263-e989-4d60-b5c7-42d2d5a86263/iso-16392-2017)

<https://standards.iteh.ai/catalog/standards/sist/b81ac263-e989-4d60-b5c7-42d2d5a86263/iso-16392-2017>