

# SLOVENSKI STANDARD

## SIST-TS ISO/TS 28560-4:2017

01-februar-2017

---

**Informatika in dokumentacija - RFID v knjižnicah - 4. del: Kodiranje podatkovnih elementov po pravilih iz ISO/IEC 15962 v oznako RFID s porazdeljenim spominom**

Information and documentation -- RFID in libraries -- Part 4: Encoding of data elements based on rules from ISO/IEC 15962 in an RFID tag with partitioned memory

Information et documentation -- RFID dans les bibliothèques -- Partie 4: Encodage des éléments de données RFID fondé sur les règles de l'ISO/CEI 15962 dans une étiquette de RFID avec la mémoire divisée

**Ta slovenski standard je istoveten z: ISO/TS 28560-4:2014**

---

**ICS:**

01.140.20	Informacijske vede	Information sciences
35.040.99	Drugi standardi v zvezi s kodiranjem informacij	Other standards related to information coding

**SIST-TS ISO/TS 28560-4:2017**

**en,fr,de**

**iTeh STANDARD PREVIEW**  
**(standards.iteh.ai)**

Full standard:  
<https://standards.iteh.ai/catalog/standards/sist/0b283401-6a8d-4f52-9253-20860b330c25/sist-ts-iso-ts-28560-4-2017>

# TECHNICAL SPECIFICATION

# ISO/TS 28560-4

First edition  
2014-12-15

---

---

## Information and documentation — RFID in libraries —

### Part 4: Encoding of data elements based on rules from ISO/IEC 15962 in an RFID tag with partitioned memory

*Information et documentation — RFID dans les bibliothèques —*

*Partie 4: Encodage des éléments de données RFID fondé sur les règles  
de l'ISO/CEI 15962 dans une étiquette de RFID avec la mémoire divisée*

*iTeh STANDARD PREVIEW  
(status: draft)  
https://standards.iteh.ai/catalog/standards/sist/0193340c-2017-4f52-9253-20860b330c25/sist-ts-28560-4-2017*



Reference number  
ISO/TS 28560-4:2014(E)

© ISO 2014

**iTeh STANDARD PREVIEW**  
(standards.iteh.ai)  
Full standard:  
<https://standards.iteh.ai/catalog/standards/sist/0b283401-6a8d-4f52-9253-20860b330c25/sist-ts-iso-ts-28560-4-2017>

**COPYRIGHT PROTECTED DOCUMENT**

© ISO 2014

All rights reserved. Unless otherwise specified, no part of this publication may be reproduced or utilized otherwise in any form or by any means, electronic or mechanical, including photocopying, or posting on the internet or an intranet, without prior written permission. Permission can be requested from either ISO at the address below or ISO's member body in the country of the requester.

ISO copyright office  
Case postale 56 • CH-1211 Geneva 20  
Tel. + 41 22 749 01 11  
Fax + 41 22 749 09 47  
E-mail [copyright@iso.org](mailto:copyright@iso.org)  
Web [www.iso.org](http://www.iso.org)

Published in Switzerland

# Contents

Page

<b>Foreword</b> .....	<b>v</b>
<b>Introduction</b> .....	<b>vi</b>
<b>1 Scope</b> .....	<b>1</b>
<b>2 Normative references</b> .....	<b>1</b>
<b>3 Terms and definitions</b> .....	<b>2</b>
<b>4 Applicability and relationship with other systems</b> .....	<b>4</b>
4.1 General.....	4
4.2 Independent standards-based components.....	4
4.3 Integrated encoding/decoding software.....	6
4.4 Legacy-based architecture.....	8
<b>5 Requirements</b> .....	<b>9</b>
5.1 Data elements.....	9
5.2 RFID air interface: ISO/IEC 18000-63 for UHF.....	9
5.3 RFID air interface: Other air interface protocols.....	10
5.4 Data protocol.....	10
5.5 RFID interrogators (RFID readers).....	10
<b>6 Data elements</b> .....	<b>10</b>
6.1 General.....	10
6.2 Unique item identifier (UII).....	12
6.3 Primary item identifier.....	15
6.4 Content parameter.....	15
6.5 Owner institution (ISIL).....	16
6.6 Set information.....	16
6.7 Type of usage.....	16
6.8 Shelf location.....	16
6.9 ONIX media format.....	17
6.10 MARC media format.....	17
6.11 Supplier identifier.....	17
6.12 Order number.....	17
6.13 ILL borrowing institute.....	17
6.14 ILL transaction number.....	17
6.15 GS1 product identifier.....	17
6.16 Alternative unique item identifier.....	18
6.17 Local data.....	18
6.18 Title.....	18
6.19 Product identifier (local).....	19
6.20 Media format (other).....	19
6.21 Supply chain stage.....	19
6.22 Supplier invoice number.....	19
6.23 Alternative item number.....	19
6.24 Alternative owner institution.....	20
6.25 Subsidiary of an owner library.....	20
6.26 Alternative ILL borrowing institution.....	20
6.27 Other reserved data elements.....	20
<b>7 Data encoding</b> .....	<b>20</b>
7.1 Data protocol overview.....	20
7.2 ISO/IEC 15961-1 commands and responses.....	22
7.3 ISO/IEC 15962 encoding rules for this part of ISO 28560.....	22

## ISO/TS 28560-4:2014(E)

<b>8</b>	<b>RFID tag requirements</b> .....	<b>34</b>
8.1	Air interface protocol.....	34
8.2	Required air interface commands.....	35
8.3	Air interface conformance.....	36
8.4	Performance.....	36
<b>9</b>	<b>Data integrity, security, and privacy issues</b> .....	<b>36</b>
9.1	Data integrity.....	36
9.2	Item security.....	36
9.3	Privacy issues.....	40
<b>10</b>	<b>Implementation and migration</b> .....	<b>40</b>
<b>Annex A (informative) Information about ISO 28560 RFID in libraries</b> .....		<b>41</b>
<b>Annex B (normative) Relevant ISO/IEC 15961-1 application commands</b> .....		<b>42</b>
<b>Annex C (normative) Locking procedure for MB 01 with encoding in MB 11</b> .....		<b>45</b>
<b>Annex D (normative) Monomorphic-UII and URN Code 40 encoding</b> .....		<b>46</b>
<b>Annex E (informative) Encoding examples</b> .....		<b>50</b>
<b>Annex F (informative) Implementation and migration</b> .....		<b>54</b>
<b>Bibliography</b> .....		<b>56</b>

**iTeh STANDARD PREVIEW**  
 (standards.iteh.ai)  
 Full standard:  
<https://standards.iteh.ai/catalog/standards/sist/0b283401-6a8d-4f52-9253-20860b330c25/sist-ts-iso-ts-28560-4-2017>

## Foreword

ISO (the International Organization for Standardization) is a worldwide federation of national standards bodies (ISO member bodies). The work of preparing International Standards is normally carried out through ISO technical committees. Each member body interested in a subject for which a technical committee has been established has the right to be represented on that committee. International organizations, governmental and non-governmental, in liaison with ISO, also take part in the work. ISO collaborates closely with the International Electrotechnical Commission (IEC) on all matters of electrotechnical standardization.

The procedures used to develop this document and those intended for its further maintenance are described in the ISO/IEC Directives, Part 1. In particular the different approval criteria needed for the different types of ISO documents should be noted. This document was drafted in accordance with the editorial rules of the ISO/IEC Directives, Part 2 (see [www.iso.org/directives](http://www.iso.org/directives)).

Attention is drawn to the possibility that some of the elements of this document may be the subject of patent rights. ISO shall not be held responsible for identifying any or all such patent rights. Details of any patent rights identified during the development of the document will be in the Introduction and/or on the ISO list of patent declarations received (see [www.iso.org/patents](http://www.iso.org/patents)).

Any trade name used in this document is information given for the convenience of users and does not constitute an endorsement.

For an explanation on the meaning of ISO specific terms and expressions related to conformity assessment, as well as information about ISO's adherence to the WTO principles in the Technical Barriers to Trade (TBT), see the following URL: [Foreword — Supplementary information](#).

The committee responsible for this document is ISO/TC 46, *Information and documentation*, Subcommittee SC 4, *Technical interoperability*.

ISO 28560 consists of the following parts, under the general title *Information and documentation — RFID in libraries*:

- *Part 1: Data elements and general guidelines for implementation*
- *Part 2: Encoding of RFID data elements based on rules from ISO/IEC 15962*
- *Part 3: Fixed length encoding*
- *Part 4: Encoding of data elements based on rules from ISO/IEC 15962 in an RFID tag with partitioned memory*

**ISO/TS 28560-4:2014(E)****Introduction**

Libraries are implementing radio frequency identification (RFID) as item identification to replace bar codes. RFID streamlines applications like user self-service, security, and materials handling. A standard data model for encoding information on RFID tags could increase the cost-effectiveness of the technology within libraries particularly through greater interoperability of RFID tags and equipment, and enhance support for resource sharing between libraries.

A standard data model, taking into account the lessons learned from the national schemes and vendor solutions was developed with ISO 28560-1, which defines the set of mandatory and optional data elements. ISO 28560-2 and ISO 28560-3 define encoding rules for those libraries that choose to use High Frequency RFID technology operating at 13,56 MHz.

This part of ISO 28560 defines encoding rules for those libraries that choose to use UHF RFID technology operating at 860 MHz to 960 MHz, with the interrogators (readers) set to conform to local radio regulations that specify only part of this spectrum. The UHF tags can function efficiently in any of the radio regulated regions. This part of ISO 28560 uses encoding rules that are specified in ISO/IEC 15962, as does ISO 28560-2. Some of the encoding rules are different because of the nature of the different RFID technology, but a number of rules are similar if not identical.

**iTeh STANDARD PREVIEW**  
(standards.iteh.ai)  
Full standard:  
<https://standards.iteh.ai/catalog/standards/sist/0b283401-6a8d-4f52-9253-20860b330c25/sist-ts-iso-ts-28560-4-2017>



# Information and documentation — RFID in libraries —

## Part 4:

# Encoding of data elements based on rules from ISO/IEC 15962 in an RFID tag with partitioned memory

## 1 Scope

This part of ISO 28560 defines rules for ISO 28560-1 data elements to be encoded in radio frequency identification (RFID) tags with a memory structure that is partitioned into four memory banks. This primarily applies to ISO/IEC 18000-63 (previously known as ISO/IEC 18000-6 Type C) operating in the UHF frequency, but not necessarily restricted to this technology.

The rules for encoding a subset of data elements taken from the total set of data elements defined in ISO 28560-1 are based on ISO/IEC 15962, which uses an object identifier structure to identify data elements. This part of ISO 28560 defines the rules for encoding a unique item identifier in a specific memory bank, known as MB 01, taking into account different requirements for privacy. It also defines the rules for encoding other relevant data in a separate memory bank, known as MB 11. Each of these memory banks is addressable using different command set of the appropriate RFID technology.

As with other parts of ISO 28560, this part of ISO 28560 is appropriate for the needs of all types of libraries (including academic, public, corporate, special, and school libraries).

This part of ISO 28560 provides essential standards-based information about RFID in libraries. A source of additional information about implementation issues is provided in [Annex A](#).

## 2 Normative references

The following documents, in whole or in part, are normatively referenced in this document and are indispensable for its application. For dated references, only the edition cited applies. For undated references, the latest edition of the referenced document (including any amendments) applies.

ISO/IEC 15961-1, *Information technology — Radio frequency identification (RFID) for item management: Data protocol — Part 1: Application interface*

ISO/IEC 15962, *Information technology — Radio frequency identification (RFID) for item management — Data protocol: data encoding rules and logical memory functions*

ISO/IEC 18000-63, *Information technology — Radio frequency identification for item management — Part 63: Parameters for air interface communications at 860 MHz to 960 MHz Type C*

ISO/IEC 18046-1, *Information technology — Radio frequency identification device performance test methods — Part 1: Test methods for system performance*

ISO/IEC 18046-2, *Information technology — Radio frequency identification device performance test methods — Part 2: Test methods for interrogator performance*

ISO/IEC 18046-3, *Information technology — Radio frequency identification device performance test methods — Part 3: Test methods for tag performance*

ISO/IEC 18047-6, *Information technology — Radio frequency identification device conformance test methods — Part 6: Test methods for air interface communications at 860 MHz to 960 MHz*

## ISO/TS 28560-4:2014(E)

ISO 28560-1, *Information and documentation — RFID in libraries — Part 1: Data elements and general guidelines for implementation*

### 3 Terms and definitions

For the purposes of this document, the following terms and definitions apply.

**3.1**  
**access method**  
component of the *DSFID* (3.8) that is responsible for declaring the ISO/IEC 15962 compaction and encoding rules on an RFID tag

Note 1 to entry: For this part of ISO 28560, the term is only relevant to Memory Bank 11, containing optional data elements.

**3.2**  
**air interface protocol**  
rules of communication between an RFID interrogator and the RFID tag of a particular type, covering frequency, modulation, bit encoding, and command sets

**3.3**  
**application command**  
instruction issued from the application to the ISO/IEC 15962 data protocol processor in order to initiate an action or operation with the RFID tag(s) through the interrogator

**3.4**  
**application family identifier**  
**AFI**  
mechanism used in the data protocol and the *air interface protocol* (3.2) to select a class of RFID tags relevant to an application or aspect of an application, and to ignore further communications with other classes of RFID tags with different identifiers

Note 1 to entry: For this part of ISO 28560, the term is only relevant to Memory Bank 01, containing the data elements comprising the UII.

**3.5**  
**arc**  
specific branch of an object identifier tree, with new arcs added as required to define a particular object

Note 1 to entry: The top three arcs of all object identifiers are compliant with ISO/IEC 9834-1 ensuring uniqueness.

**3.6**  
**data format**  
component of the *DSFID* (3.8) that is a mechanism used in the data protocol to identify how *object identifiers* (3.12) are encoded on the RFID tag, and (where possible) identify a particular data dictionary for the set of relevant object identifiers for that application

Note 1 to entry: For this part of ISO 28560, the term is only relevant to Memory Bank 11, containing optional data elements. The data format declares the *Root-OID* (3.14) in an efficient manner, so that a complete object identifier can be reconstructed for external communications.

**3.7**  
**data protocol processor**  
implementation of the processes defined in ISO/IEC 15962, including data compaction, formatting, support of the command/response unit, and an interface to the tag driver

### 3.8 data storage format identifier DSFID

code that consists of, at least, the *access method* (3.1) and *data format* (3.6)

Note 1 to entry: For this part of ISO 28560, the term is only relevant to Memory Bank 11, containing optional data elements.

### 3.9 digital vandalism

unauthorized modification of data on an RFID tag that either renders it unusable or falsely represents another identifier

### 3.10 Memory Bank MB

designated name of a *segmented memory structure* (3.15)

Note 1 to entry: For this part of ISO 28560, the Memory Banks 00, 01, 10, and 11 are using binary notation.

### 3.11 metadata

type of data or information about data

Note 1 to entry: In the context of this part of ISO 28560, metadata can be the *Relative-OID* (3.13) in relation to the data, the precursor in relation to the compacted and encoded bytes, or the *API* (3.4) and *DSFID* (3.8) in relation to the data.

### 3.12 object identifier

value (distinguishable from all other such values), which is associated with an object

### 3.13 Relative-OID

particular *object identifier* (3.12) that constitutes the remaining *arcs* (3.5) after the *Root-OID* (3.14)

### 3.14 Root-OID

particular *object identifier* (3.12) that constitutes the first, second, and subsequent common *arcs* (3.5) of a set of object identifiers (hence, the common root)

### 3.15 segmented memory structure

memory storage that is separated into separate elements and requires multiple addressing elements for access

Note 1 to entry: For this part of ISO 28560, this has the same meaning as partitioned memory.

### 3.16 tag driver

implementation of the process to transfer data between the data protocol processor and the RFID tag

### 3.17 unique item identifier UII

encodable data that when combined with an object identifier prefix renders the combination unique within the rules of the application domain

## ISO/TS 28560-4:2014(E)

### 4 Applicability and relationship with other systems

#### 4.1 General

The use of the ISO/IEC 18000-63 air interface protocol brings with it a set of different standards which can be deployed to support RFID in libraries. Three different device architectures are discussed below from the library application to the RFID tag. It should be noted that with the development in UHF RFID, the LMS/ILS is not the only end point (or start point for encoding) in an RFID system. Therefore, under the heading of “library application”, the following also needs to be considered:

- the library management system/integrated library system;
- software linked to encoding devices used by book suppliers;
- portable devices, with on-board processing, which exchange data (as necessary) with the LMS/ILS on a transaction or even batch mode basis;
- sortation systems that can operate somewhat autonomously from the LMS/ILS;
- software to support quality control devices;
- mobile phones and other user-centric portable devices.

Some of the architectures described below offer different perspectives on how to achieve interoperability. The one described in 4.2 offers more opportunities for using generic modules, while the one described in 4.3 can be called the “traditional model” replicating structures used by libraries that have implemented RFID using 13,56 MHz technology, while the one described in 4.4 can be considered a compromise between the other two architectures. There is no requirement to adopt one of these architectures; in fact, some might be more suited to some type of device (e.g. portable devices, RFID tunnel readers) or some type of operator (e.g. a book supplier compared with a circulation library). Some of the choices might depend on the interfaces supported by hardware devices and software components.

#### 4.2 Independent standards-based components

[Figure 1](#) shows an architecture where individual hardware and/or software modules communicate between different layers.

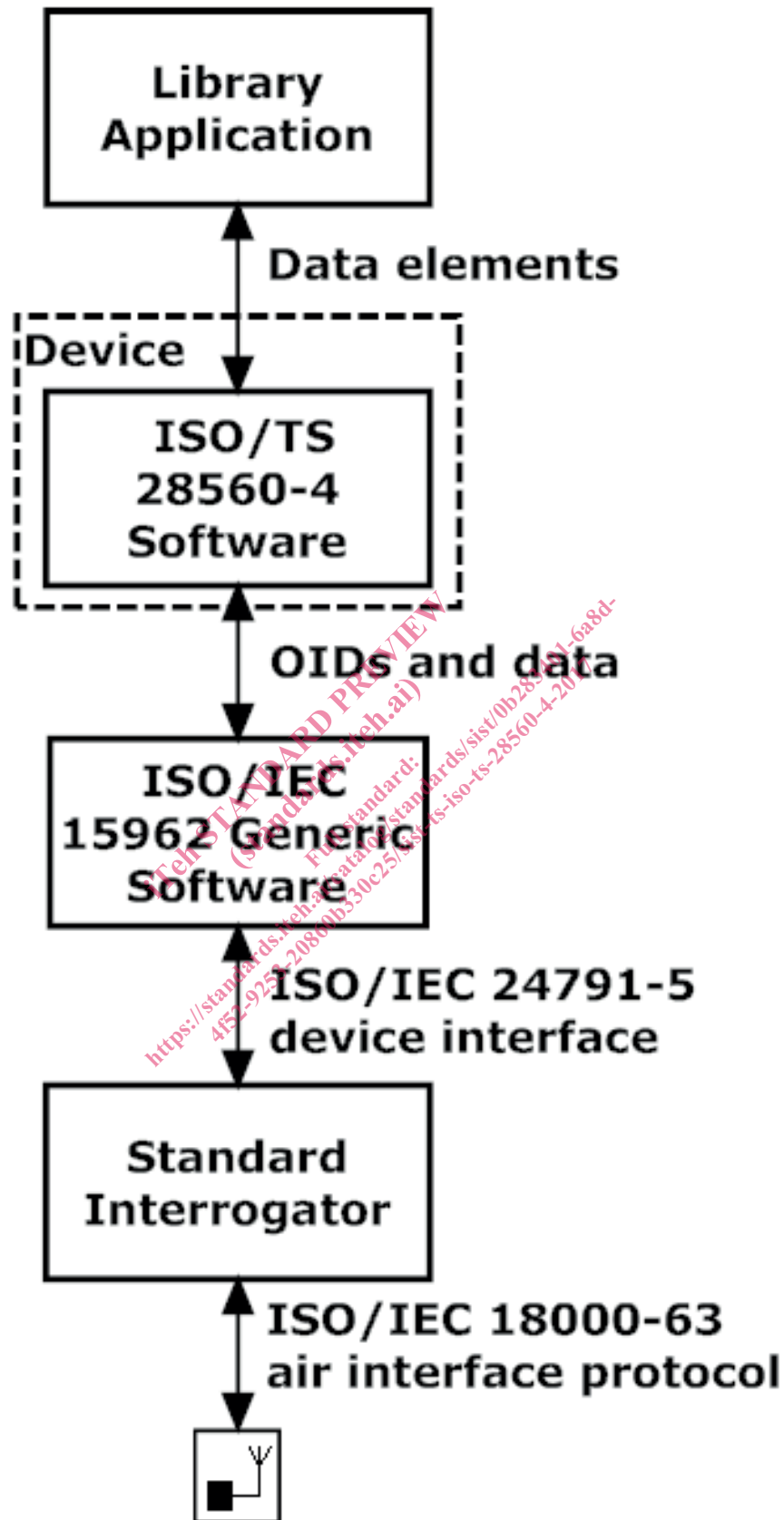


Figure 1 — Architecture using all standard components