

Third edition  
2011-02-15

**AMENDMENT 1**  
2015-08-01

---

---

**Ophthalmic optics — Spectacle frames  
— Measuring system and terminology**

**AMENDMENT 1**

*Optique ophtalmique — Montures de lunettes — Système de mesure  
et terminologie*

*AMENDEMENT 1*

**iTeh STANDARD PREVIEW**  
**(standards.iteh.ai)**

ISO 8624:2011/Amd 1:2015

<https://standards.iteh.ai/catalog/standards/sist/9d36d0f2-a556-4ef5-8f3f-6941639504ed/iso-8624-2011-amd-1-2015>



Reference number  
ISO 8624:2011/Amd.1:2015(E)

© ISO 2015

**iTeh STANDARD PREVIEW**  
**(standards.iteh.ai)**

[ISO 8624:2011/Amd 1:2015](https://standards.iteh.ai/catalog/standards/sist/9d36d0f2-a556-4ef5-8f3f-6941639504ed/iso-8624-2011-amd-1-2015)

<https://standards.iteh.ai/catalog/standards/sist/9d36d0f2-a556-4ef5-8f3f-6941639504ed/iso-8624-2011-amd-1-2015>



**COPYRIGHT PROTECTED DOCUMENT**

© ISO 2015, Published in Switzerland

All rights reserved. Unless otherwise specified, no part of this publication may be reproduced or utilized otherwise in any form or by any means, electronic or mechanical, including photocopying, or posting on the internet or an intranet, without prior written permission. Permission can be requested from either ISO at the address below or ISO's member body in the country of the requester.

ISO copyright office  
Ch. de Blandonnet 8 • CP 401  
CH-1214 Vernier, Geneva, Switzerland  
Tel. +41 22 749 01 11  
Fax +41 22 749 09 47  
copyright@iso.org  
www.iso.org

## Foreword

ISO (the International Organization for Standardization) is a worldwide federation of national standards bodies (ISO member bodies). The work of preparing International Standards is normally carried out through ISO technical committees. Each member body interested in a subject for which a technical committee has been established has the right to be represented on that committee. International organizations, governmental and non-governmental, in liaison with ISO, also take part in the work. ISO collaborates closely with the International Electrotechnical Commission (IEC) on all matters of electrotechnical standardization.

The procedures used to develop this document and those intended for its further maintenance are described in the ISO/IEC Directives, Part 1. In particular the different approval criteria needed for the different types of ISO documents should be noted. This document was drafted in accordance with the editorial rules of the ISO/IEC Directives, Part 2 (see [www.iso.org/directives](http://www.iso.org/directives)).

Attention is drawn to the possibility that some of the elements of this document may be the subject of patent rights. ISO shall not be held responsible for identifying any or all such patent rights. Details of any patent rights identified during the development of the document will be in the Introduction and/or on the ISO list of patent declarations received (see [www.iso.org/patents](http://www.iso.org/patents)).

Any trade name used in this document is information given for the convenience of users and does not constitute an endorsement.

For an explanation on the meaning of ISO specific terms and expressions related to conformity assessment, as well as information about ISO's adherence to the WTO principles in the Technical Barriers to Trade (TBT) see the following URL: [Foreword - Supplementary information](#)

The committee responsible for this document is ISO/TC 172, *Optics and photonics*, Subcommittee SC 7, *Ophthalmic optics and instruments*.

[ISO 8624:2011/Amd 1:2015](#)

<https://standards.iteh.ai/catalog/standards/sist/9d36d0f2-a556-4ef5-8f3f-6941639504ed/iso-8624-2011-amd-1-2015>

**iTeh STANDARD PREVIEW**  
**(standards.iteh.ai)**

[ISO 8624:2011/Amd 1:2015](https://standards.iteh.ai/catalog/standards/sist/9d36d0f2-a556-4ef5-83f6941639504ed/iso-8624-2011-amd-1-2015)

<https://standards.iteh.ai/catalog/standards/sist/9d36d0f2-a556-4ef5-83f6941639504ed/iso-8624-2011-amd-1-2015>

# Ophthalmic optics — Spectacle frames — Measuring system and terminology

## AMENDMENT 1

Add the following new term to Annex A:

### A.14

**side angle**, en GB

**angle of side**, en GB

**frame pantoscopic angle**, en US

angle in the vertical plane, when the side is opened, between the perpendicular to a reference line touching the rear surface of the upper and lower rims along the vertical centreline and the line joining the middle of the joint to the point on the lower edge of the side that is assumed to make contact with the top of the ear

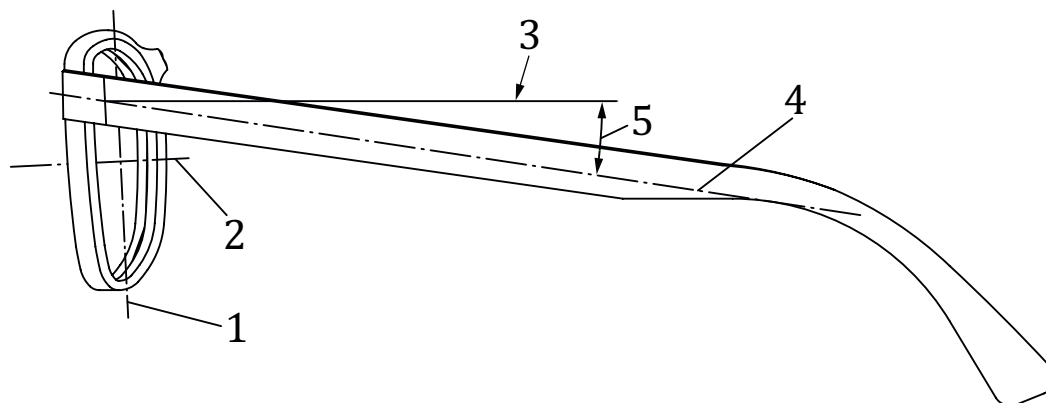
Note 1 to entry: See [Figure A.5](#).

Note 2 to entry: When the spectacle frame is of semi-rimless or rimless construction, the reference line should be taken as the line joining the rear surface of the upper and lower edges of a plano or demonstration or dummy lens along the vertical centreline.

Note 3 to entry: Unless otherwise stated, the side angle is regarded as positive if downwards from the perpendicular to the reference line.

Note 4 to entry: From ISO 7998, the following are the equivalent terms in other languages:

- French: angle d'inclinaison;
- German: Inklinationswinkel;
- Italian: inclinazione;
- Spanish: inclinación.



**Key**

- 1 reference line touching the rear surface of the rims along the vertical centre line
- 2 perpendicular (orthogonal) to the reference line
- 3 line through the middle of the joint parallel to line 2
- 4 line joining the middle of the joint to the point on the lower edge of the side that is assumed to make contact with the top of the ear
- 5 side angle (positive in this example)

**Figure A.5 — Illustration of side angle**  
**(standards.iteh.ai)**

ISO 8624:2011/Amd 1:2015  
<https://standards.iteh.ai/catalog/standards/sist/9d36d0f2-a556-4ef5-83f6-6941639504ed/iso-8624-2011-amd-1-2015>

**iTeh STANDARD PREVIEW**  
**(standards.iteh.ai)**

[ISO 8624:2011/Amd 1:2015](#)

<https://standards.iteh.ai/catalog/standards/sist/9d36d0f2-a556-4ef5-8f3f-6941639504ed/iso-8624-2011-amd-1-2015>

**iTeh STANDARD PREVIEW**  
**(standards.iteh.ai)**

[ISO 8624:2011/Amd 1:2015](https://standards.iteh.ai/catalog/standards/sist/9d36d0f2-a556-4ef5-83f6-6941639504ed/iso-8624-2011-amd-1-2015)

<https://standards.iteh.ai/catalog/standards/sist/9d36d0f2-a556-4ef5-83f6-6941639504ed/iso-8624-2011-amd-1-2015>