



**INTERNATIONAL STANDARD ISO 6722-1:2011**  
**TECHNICAL CORRIGENDUM 1**

Published 2012-09-15

INTERNATIONAL ORGANIZATION FOR STANDARDIZATION • МЕЖДУНАРОДНАЯ ОРГАНИЗАЦИЯ ПО СТАНДАРТИЗАЦИИ • ORGANISATION INTERNATIONALE DE NORMALISATION

**Road vehicles — 60 V and 600 V single-core cables —**  
**Part 1:**  
**Dimensions, test methods and requirements for copper**  
**conductor cables**

TECHNICAL CORRIGENDUM 1

*Véhicules routiers — Câbles monoconducteurs de 60 V et 600 V —*

*Partie 1: Dimensions, méthodes d'essai et exigences pour les câbles conducteurs en cuivre*

RECTIFICATIF TECHNIQUE 1

**(standards.iteh.ai)**

[ISO 6722-1:2011/Cor 1:2012](https://standards.iteh.ai/catalog/standards/sist/78e8c1e1-faed-4b48-b79d-33e1b31109be/iso-6722-1-2011-cor-1-2012)

[https://standards.iteh.ai/catalog/standards/sist/78e8c1e1-faed-4b48-b79d-](https://standards.iteh.ai/catalog/standards/sist/78e8c1e1-faed-4b48-b79d-33e1b31109be/iso-6722-1-2011-cor-1-2012)

[33e1b31109be/iso-6722-1-2011-cor-1-2012](https://standards.iteh.ai/catalog/standards/sist/78e8c1e1-faed-4b48-b79d-33e1b31109be/iso-6722-1-2011-cor-1-2012)

Technical Corrigendum 1 to ISO 6722-1:2011 was prepared by Technical Committee ISO/TC 22, *Road vehicles*, Subcommittee SC 3, *Electrical and electronic equipment*.

---

*Page 7, Table 4*

Replace Table 4 with the following table in which some of the dimensions in the "ISO conductor diameter" column have been corrected:

Table 4 — Dimensions

| ISO conductor   |          | Thick wall           |      |                        | Thin wall            |      |                        | Ultra-thin wall      |      |                        |      |
|-----------------|----------|----------------------|------|------------------------|----------------------|------|------------------------|----------------------|------|------------------------|------|
| Size            | Diameter | Insulation thickness |      | Outside cable diameter | Insulation thickness |      | Outside cable diameter | Insulation thickness |      | Outside cable diameter |      |
| mm <sup>2</sup> | mm       | mm                   |      | mm                     | mm                   |      | mm                     | mm                   |      | mm                     |      |
|                 | max.     | nominal              | min. | max.                   | nominal              | min. | max.                   | nominal              | min. | max.                   |      |
| 0,13            | 0,55     | X                    |      |                        |                      |      | 1,05                   |                      |      | 0,95                   |      |
| 0,22            | 0,70     |                      |      |                        |                      | 0,25 | 0,20                   | 1,20                 |      |                        | 1,05 |
| 0,35            | 0,90     |                      |      |                        |                      |      | 1,40 <sup>a</sup>      |                      |      |                        | 1,20 |
| 0,50            | 1,10     | 0,60                 | 0,48 | 2,30                   | 0,28                 | 0,22 | 1,60                   | 0,20                 | 0,16 | 1,40                   |      |
| 0,75            | 1,30     |                      |      | 2,50                   | 0,30                 | 0,24 | 1,90                   |                      |      | 1,60                   |      |
| 1               | 1,50     |                      |      | 2,70                   |                      |      | 2,10                   |                      |      | 1,75                   |      |
| 1,25            | 1,70     |                      |      | 2,95                   |                      |      | 2,30                   |                      |      | 2,00                   |      |
| 1,5             | 1,80     |                      |      | 3,00                   |                      |      | 2,40                   |                      |      | 2,10                   |      |
| 2               | 2,00     |                      |      | 3,30                   | 0,35                 | 0,28 | 2,80                   |                      |      | 2,40                   |      |
| 2,5             | 2,20     | 3,60                 | 3,00 | 2,70                   |                      |      |                        |                      |      |                        |      |
| 3               | 2,40     | 0,70                 | 0,56 | 4,10                   | X                    |      | 3,40                   |                      |      |                        |      |
| 4               | 2,80     | 0,80                 | 0,64 | 4,40                   |                      | 3,70 |                        |                      |      |                        |      |
| 5               | 3,10     |                      |      | 4,90                   |                      | 4,20 |                        |                      |      |                        |      |
| 6               | 3,40     |                      |      | 5,00                   |                      | 4,30 |                        |                      |      |                        |      |
| 8               | 4,30     |                      |      | 5,90                   |                      | 5,00 |                        |                      |      |                        |      |
| 10              | 4,50     | 1,00                 | 0,80 | 6,50                   |                      | 0,60 | 0,48                   | 6,00                 |      |                        |      |
| 12              | 5,40     |                      |      | 7,40                   |                      | 6,50 |                        |                      |      |                        |      |
| 16              | 6,30     |                      |      | 8,30                   |                      | 7,20 |                        |                      |      |                        |      |
| 20              | 6,90     | 1,10                 | 0,88 | 9,10                   |                      | 0,65 | 0,52                   | 7,80                 |      |                        |      |
| 25              | 7,80     | 1,30                 | 1,04 | 10,40                  |                      | 0,80 | 0,64                   | 8,70                 |      |                        |      |
| 30              | 8,30     |                      |      | 10,90                  | 9,60                 |      |                        |                      |      |                        |      |
| 35              | 9,00     |                      |      | 11,60                  | 10,40                |      |                        |                      |      |                        |      |
| 40              | 9,60     |                      |      | 12,40                  | 11,10                |      |                        |                      |      |                        |      |
| 50              | 10,50    | 1,50                 | 1,20 | 13,50                  | 0,90                 | 0,71 | 12,20                  |                      |      |                        |      |
| 60              | 11,60    |                      |      | 14,60                  | 13,30                |      |                        |                      |      |                        |      |
| 70              | 12,50    |                      |      | 15,50                  | 14,40                |      |                        |                      |      |                        |      |
| 95              | 14,80    | 1,60                 | 1,28 | 18,00                  | 1,10                 | 0,90 | 16,70                  |                      |      |                        |      |
| 120             | 16,50    |                      |      | 19,70                  |                      |      |                        |                      |      |                        |      |

NOTE Outside cable diameter minimum values for high volume cable constructions are shown in Table B.2. Since the values in Table B.2 are informative, they are not required; however, they may be applied by agreement between customer and supplier.

<sup>a</sup> The outside cable diameter for conductor size 0,35 mm<sup>2</sup> with 7 strands shall be max. 1,30 mm.

Page 8, 5.4.3

Replace Formula (1) by the following formula including explanation:

$$R_{20} = \frac{R_T}{L[1 + 0,00393(T - 20)]} \quad (1)$$

where:

$R_{20}$  is the corrected conductor resistance at the reference temperature of 20°C, expressed in mΩ/m;

$R_T$  is the conductor resistance measured at the conductor temperature in mΩ;

$L$  is the unsoldered measured length in m.

Page 12, 5.7.4

Replace Formula (2) by the following:

$$\rho_0 = 2,725 \times \frac{L \times R}{D \lg \frac{D}{d}} \quad (2)$$

where

$\rho_0$  is the insulation volume resistivity, expressed in Ωmm;

$L$  is the immersed length of the test sample in mm;

$R$  is the measured insulation resistance in Ω;

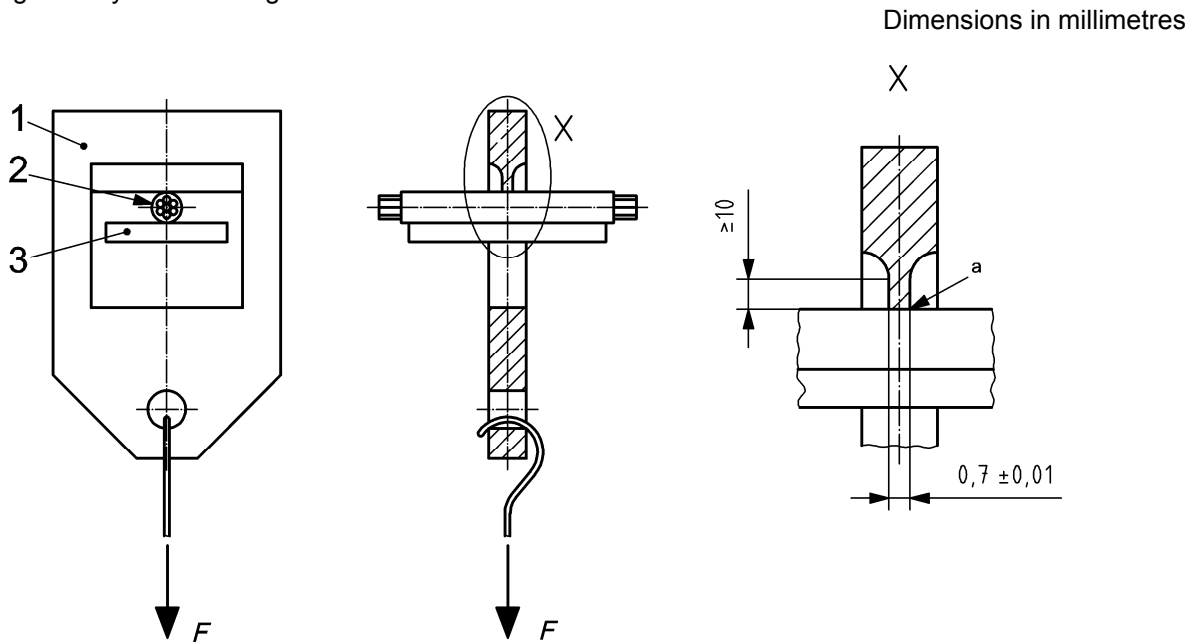
$D$  is the outside cable diameter in mm according to 5.1;

$d$  is the conductor diameter in mm according to 5.3;

$\lg$  is logarithm to the base 10.

**iTeh STANDARD PREVIEW**  
(standards.iteh.ai)

Replace Figure 2 by the following:



**Key**

- 1 test frame
- 2 test sample
- 3 support
- F applied force
- <sup>a</sup> Sharp edge with a max. radius of 0,05 mm.

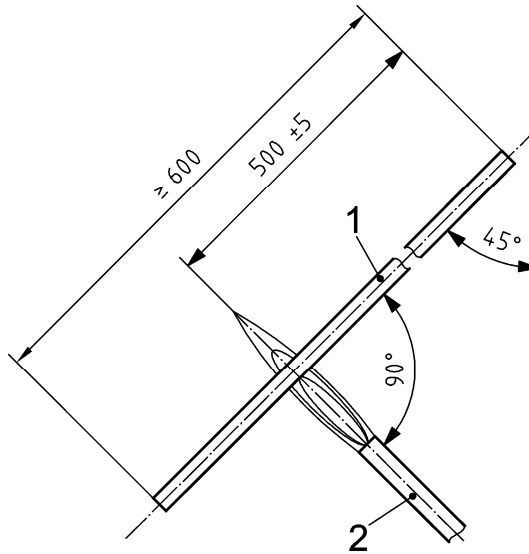
**iTeh STANDARD PREVIEW**  
(standards.iteh.ai)

ISO 6722-1:2011/Cor 1:2012  
<https://standards.iteh.ai/catalog/standards/sist/78e8c1e1-faed-4b48-b79d->  
**Figure 2 — Apparatus for pressure test at high temperature**

Page 35, Figure 10

Replace Figure 10 by the following:

Dimensions in millimetres



**Key**

- 1 test sample
- 2 Bunsen burner

**iTeh STANDARD PREVIEW**  
**Figure 10 — Apparatus for resistance to flame propagation**  
**(standards.iteh.ai)**

<https://standards.iteh.ai/catalog/standards/sist/78e8c1e1-faed-4b48-b79d-33e1b31109be/iso-6722-1-2011-cor-1-2012>