

ISO/TC 181

Secretariat: DS

Voting begins on:  
2014-03-04

Voting terminates on:  
2014-05-05

---

---

## Safety of toys —

### Part 1: Safety aspects related to mechanical and physical properties

#### AMENDMENT 2: Impaction and impalement hazards

*Sécurité des jouets —*

*Partie 1: Aspects de sécurité relatifs aux propriétés mécaniques et  
physiques*

*AMENDEMENT 2: Risques de blocage liés à l'ingestion*

ISO 8124-1:2012/FDAmD 2

<https://standards.iteh.ai/catalog/standards/iso/af8af351-911c-40b5-a2b7-4e942a0d0a31/iso-8124-1-2012-fdamd-2>

RECIPIENTS OF THIS DRAFT ARE INVITED TO SUBMIT, WITH THEIR COMMENTS, NOTIFICATION OF ANY RELEVANT PATENT RIGHTS OF WHICH THEY ARE AWARE AND TO PROVIDE SUPPORTING DOCUMENTATION.

IN ADDITION TO THEIR EVALUATION AS BEING ACCEPTABLE FOR INDUSTRIAL, TECHNOLOGICAL, COMMERCIAL AND USER PURPOSES, DRAFT INTERNATIONAL STANDARDS MAY ON OCCASION HAVE TO BE CONSIDERED IN THE LIGHT OF THEIR POTENTIAL TO BECOME STANDARDS TO WHICH REFERENCE MAY BE MADE IN NATIONAL REGULATIONS.



Reference number  
ISO 8124-1:2012/FDAM 2:2014(E)

iTeh Standards  
(<https://standards.iteh.ai>)  
Document Preview

[ISO 8124-1:2012/FDAmD 2](https://standards.iteh.ai/catalog/standards/iso/af8af351-911c-40b5-a2b7-4e942a0d0a31/iso-8124-1-2012-fdamd-2)

<https://standards.iteh.ai/catalog/standards/iso/af8af351-911c-40b5-a2b7-4e942a0d0a31/iso-8124-1-2012-fdamd-2>



**COPYRIGHT PROTECTED DOCUMENT**

© ISO 2014

All rights reserved. Unless otherwise specified, no part of this publication may be reproduced or utilized otherwise in any form or by any means, electronic or mechanical, including photocopying, or posting on the internet or an intranet, without prior written permission. Permission can be requested from either ISO at the address below or ISO's member body in the country of the requester.

ISO copyright office  
Case postale 56 • CH-1211 Geneva 20  
Tel. + 41 22 749 01 11  
Fax + 41 22 749 09 47  
E-mail [copyright@iso.org](mailto:copyright@iso.org)  
Web [www.iso.org](http://www.iso.org)

Published in Switzerland

## Foreword

ISO (the International Organization for Standardization) is a worldwide federation of national standards bodies (ISO member bodies). The work of preparing International Standards is normally carried out through ISO technical committees. Each member body interested in a subject for which a technical committee has been established has the right to be represented on that committee. International organizations, governmental and non-governmental, in liaison with ISO, also take part in the work. ISO collaborates closely with the International Electrotechnical Commission (IEC) on all matters of electrotechnical standardization.

The procedures used to develop this document and those intended for its further maintenance are described in the ISO/IEC Directives, Part 1. In particular the different approval criteria needed for the different types of ISO documents should be noted. This document was drafted in accordance with the editorial rules of the ISO/IEC Directives, Part 2 (see [www.iso.org/directives](http://www.iso.org/directives)).

Attention is drawn to the possibility that some of the elements of this document may be the subject of patent rights. ISO shall not be held responsible for identifying any or all such patent rights. Details of any patent rights identified during the development of the document will be in the Introduction and/or on the ISO list of patent declarations received (see [www.iso.org/patents](http://www.iso.org/patents)).

Any trade name used in this document is information given for the convenience of users and does not constitute an endorsement.

For an explanation on the meaning of ISO specific terms and expressions related to conformity assessment, as well as information about ISO's adherence to the WTO principles in the Technical Barriers to Trade (TBT) see the following URL: Foreword - Supplementary information

The committee responsible for this document is ISO/TC 181, *Safety of toys*.

## Document Preview

<https://standards.iteh.ai/standards/iso/af8af351-911c-40b5-a2b7-4e942a0d0a31/iso-8124-1-2012-fdamd-2>

<https://standards.iteh.ai/catalog/standards/iso/af8af351-911c-40b5-a2b7-4e942a0d0a31/iso-8124-1-2012-fdamd-2>



## Safety of toys —

### Part 1:

## Safety aspects related to mechanical and physical properties

### AMENDMENT 2: Impaction and impalement hazards

Replace the existing 4.5.1 with the text below:

#### 4.5.1 Squeeze toys, rattles, fasteners, and certain other toys and components of toys

##### 4.5.1.1 General

Soft-filled (stuffed) toys or soft-filled parts of toys or parts made entirely of fabric are exempted from the requirements of 4.5.1.

##### 4.5.1.2 Squeeze toys, rattles, and certain other toys and components of toys

The requirements of 4.5.1.2 apply to the following types of toys:

- squeeze toys intended for children under 18 mo.;
- rattles;
- teething and teething toys intended for children under 18 mo.;
- legs of baby gyms intended for children under 18 mo.;
- the following toys if they have a mass less than 0,5 kg and are intended for children too young to sit up unaided:
  - removable components of toys intended to be strung across a crib, playpen, or perambulator;
  - removable components of baby gyms.

The toys and components of toys listed above shall be designed so that no part of the toy protrudes past the base of test template A when tested in accordance with 5.3.

The toys and components of toys listed above shall, if they have nearly spherical, hemispherical, or circular flared ends, be designed so that such ends do not protrude past the base of the supplemental test template B when tested in accordance with 5.3.

##### 4.5.1.3 Other toys or components of toys with nearly spherical, hemispherical, circular flared, or dome-shaped ends of toys having a mass less than 0,5 kg and intended for children under 18 mo.

See E.7.

The requirements of 4.5.1.3 apply only to toys or components of toys where the nearly spherical, hemispherical, circular flared, or dome-shaped end adjoins a shaft, handle, or support that has a smaller cross section.

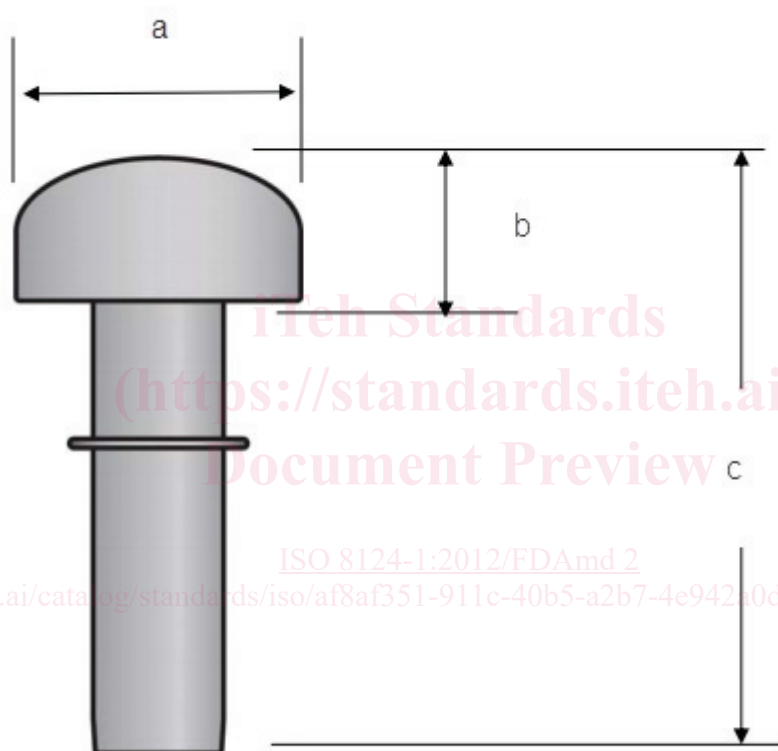
Nearly spherical, hemispherical, circular flared, or dome-shaped ends of toys or components of toys shall be designed so that such ends do not protrude past the base of the supplemental test template B when tested in accordance with 5.3.

**4.5.1.4 Toy fasteners (e.g. nails, bolts, screws, and pegs) with nearly spherical, hemispherical, or dome-shaped ends intended for children 18 mo. and over but under 48 mo.**

See E.7.

The requirements of 4.5.1.4 apply only to toy fasteners that meet all of the following criteria (see Figures 1 and 2):

- The nearly spherical, hemispherical, or dome-shaped end has a diameter of 15 mm or more.
- The distance from the apex of the toy fastener to the undercut is 44,4 mm or less.
- The overall length is 57,1 mm or more.



<https://standards.iteh.ai/catalog/standards/iso/af8af351-911c-40b5-a2b7-4e942a0d0a31/iso-8124-1-2012-fdamd-2>

**Key**

- a diameter of nearly spherical, hemispherical, or dome-shaped end,  $\geq 15$  mm
- b distance from the apex of the toy fastener to the undercut,  $\leq 44,4$  mm
- c overall length,  $\geq 57,1$  mm

**Figure 7 — Dimensions of toy fasteners**